

# Beta-EP

**Fixed installation, smart electronic thermostat and Euro plug**



Ensto's Beta heaters meet the Eco-design requirements. Thanks to their easy installation, they offer an ideal heating solution for different spaces. A comfortable temperature level is reached quickly, as most of the energy consumed is transformed into heat.

## Energy-efficiency

Heaters respond quickly to temperature changes caused by other heat sources. Because they heat room air rather than building structures, they achieve nearly 100% efficiency.

## Smart control

The Ensto Heat Control application allows you to control Ensto heating systems with a mobile device. With a few clicks the temperature can be amended, and adjustments can be made for holidays and calendar programs.

## Safety

Thanks to their low surface temperature and overheating-protection, all Ensto heaters are safe to use.



“Heat room air instead of house structures.”



BETA5-BT-EP



BETA10-BT-EP



### Structure

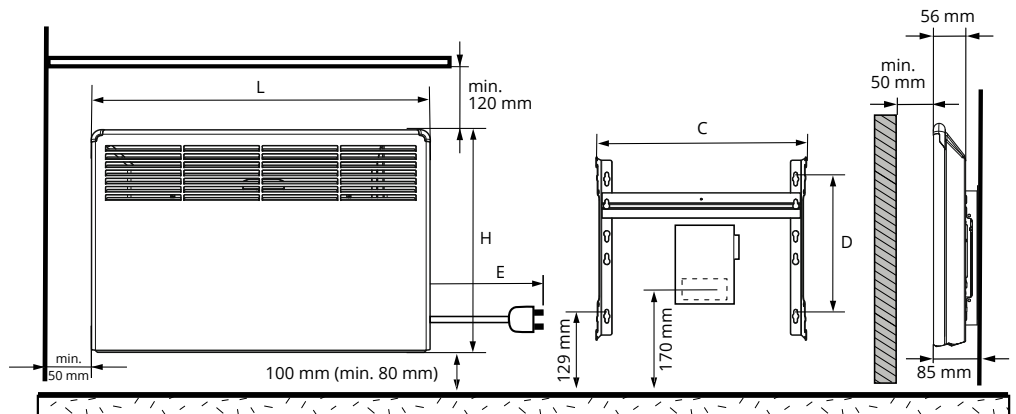
- › Convector heater with an electronic thermostat (adjustment range of 5 to 30 °C) and a connection box
- › Double-insulated
- › Extremely accurate (+/-0.1°C) and completely silent intelligent thermostat that can be controlled with Ensto's Heat Control application (Android and iOS)
- › External temperature changes (controlled via the Ensto Heat Control application)
- › Standby consumption <0.5 W
- › Degree of protection IP21
- › Input voltage 230 V
- › Colour RAL 9010

### Installation

- › Fixed installation
  - Wall bracket
  - Euro plug
- › The heaters are suitable for both dry and damp spaces (IP21)

### Ensto Heat Control application

- › Temperature management
- › Calendar programs
  - Set a required temperature and starting time
- › Holiday periods
  - Longer period temperature changes
- › Boost
  - Temporary temperature change
- › Schedule management
  - Day-to-day with six temperature change events
- › Reduce energy costs (energy consumption monitoring)
  - Weekly and annual energy consumption
  - Weekly temperature monitoring
- › Wireless control of a parallel heater
  - Max 10 heaters



Type	GTIN	Power	Length L (mm)	Height H (mm)	Wall bracket		Plug E (mm)
					C (mm)	D (mm)	
Beta-EP							
BETA2-BT-EP	6438100339456	250W	451	389	300	205	1000
BETA5-BT-EP	6438100339470	500W	585	389	300	205	1000
BETA7-BT-EP	6438100339487	750W	719	389	440	205	1000
BETA10-BT-EP	6438100339432	1000W	853	389	440	205	1000
BETA15-BT-EP	6438100339449	1500W	1121	389	700	205	1800
BETA20-BT-EP	6438100339463	2000W	1523	389	1000	205	1800

Power/W	Heated area (m <sup>2</sup> ) with a rated power of			Heated volume (m <sup>3</sup> )		
	15W (m <sup>3</sup> )	25W (m <sup>3</sup> )	35W (m <sup>3</sup> )	15W (m <sup>3</sup> )	25W (m <sup>3</sup> )	35W (m <sup>3</sup> )
250	7	4	3	17	10	7
500	13	8	6	33	20	14
750	20	12	9	50	30	21
1000	27	16	11	67	40	29
1500	40	24	17	100	60	43
2000	53	32	23	133	80	57