

Peta

Ensto Tupa panel heaters with connection box

Peta heaters, which belong to Ensto's Tupa range, meet the Eco-design requirements. These new heaters are equipped with smart electronic thermostats. Peta is a cover-proofed heater with manually resettable over-heating protection e.g. for walk-in closets.



Energy-efficiency

Heaters respond quickly to temperature changes caused by other heat sources. Because they heat room air rather than building structures, they achieve nearly 100% efficiency.

Smart control

The Ensto Heat Control application allows you to control Ensto heating systems with a mobile device. With a few clicks the temperature can be amended, and adjustments can be made for holidays and calendar programs.

Safety

Thanks to their low surface temperature and overheating-protection, all Ensto heaters are safe to use.



"Peta is safe to use even if it becomes covered."



PETA2-BT



PETA3-BT

Structure

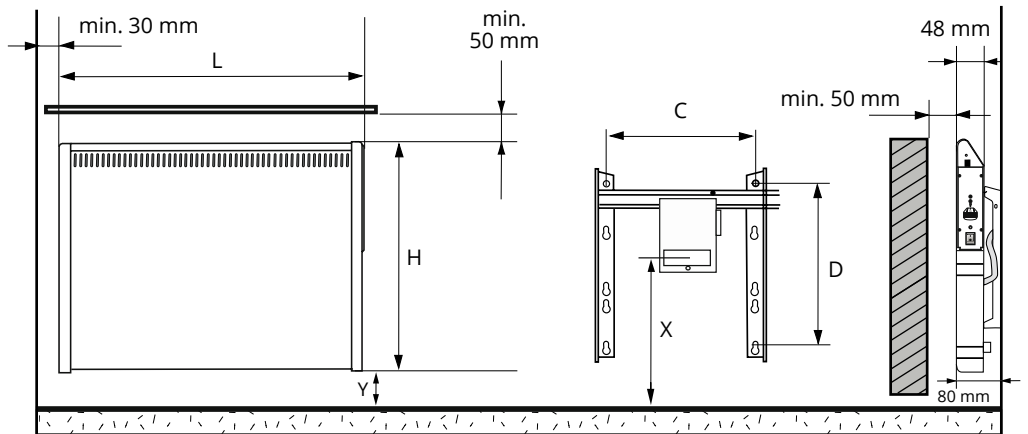
- › A combination heater with an electronic thermostat (adjustment range of 5 to 30 °C) and a connection box
- › Double-insulated
- › Extremely accurate (+/-0.1°C) and completely silent intelligent thermostat that can be controlled with Ensto's Heat Control application (Android and iOS)
- › External temperature changes (controlled via the Ensto Heat Control application)
- › Master/slave function
- › Overheating-protection with a manual reset feature
- › Fault detection for the room sensor
- › Standby consumption <0.5 W
- › Degree of protection IP20
- › Colour RAL 9002

Installation

- › Fixed installation
 - Wall bracket
 - Connection box

Ensto Heat Control application

- › Temperature management
- › Calendar programs
 - Set a required temperature and starting time
- › Holiday periods
 - Longer period temperature changes
- › Boost
 - Temporary temperature change
- › Schedule management
 - Day-to-day with six temperature change events
- › Reduce energy costs (energy consumption monitoring)
 - Weekly and annual energy consumption
 - Weekly temperature monitoring
- › Wireless control of a parallel heater
 - Max 10 heaters



Type	GTIN	Power	Length L (mm)	Height H (mm)	Wall bracket			
					C (mm)	D (mm)	X (mm)	Y (mm)
Peta heaters								
PETA2-BT	6438100339159	200W	500	200	225	90	75	70 (min. 50)
PETA3-BT	6438100339166	350W	500	400	225	280	75	70 (min. 50)

Power/W	Heated area (m ²) with a rated power of			Heated volume (m ³)		
	15W (m ³)	25W (m ³)	35W (m ³)	15W (m ³)	25W (m ³)	35W (m ³)
200	5	3	2	13	8	6
350	9	6	4	23	14	10