

Surge Arrester Systems

Metal oxide arrester
Polymeric Housing
IEC 99-4

Nominal discharge current: 10 kA
Line discharge class 1
High current impulse 4/10 μ s: 100 kA
Energy absorption capability at
– High current imp.: 5,3 kJ/kV U_c
– Line discharge imp.: 2,6 kJ/kV U_c

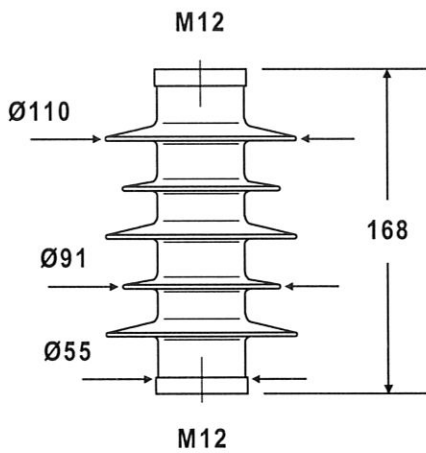
Continuous operating voltage
 U_c : 1 kV

Rated voltage
 U_r : 1,25 kV

Outdoor application
Rated short circuit current: 16 kA

HDA-01N-

Dimensions



Arrester Housing

Cantilever strength*	Nm	200
Pull strength*	N	1000
Max. Torque M12*	Nm	58
Impulse voltage 1,2/50 μ s	kV	86
Power frequency voltage - wet:	kV	45
Flashover distance	mm	175
Creepage length	mm	370
Weight	kg	1,3

Accessories

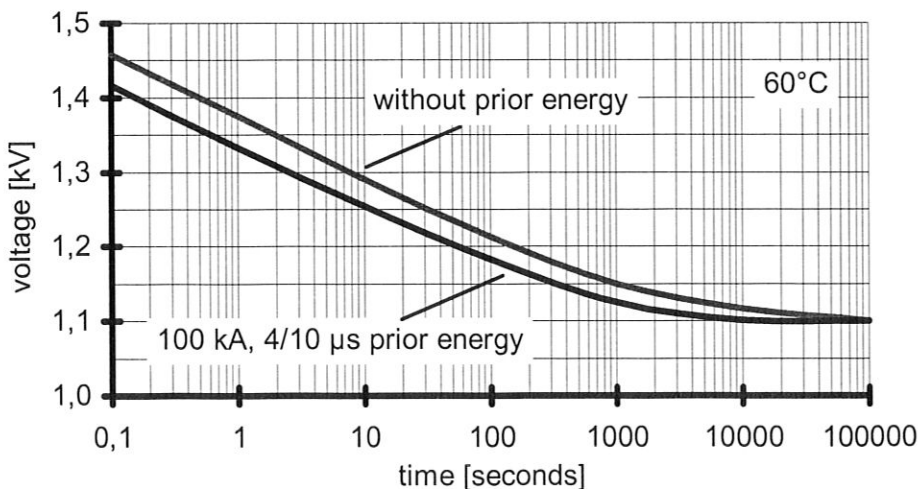
Mounting
Ground Lead
Line Lead

*continuously applicable load

Residual Voltages

Lightning current impulse 8/20 μ s				Steep lightning current impulse 10 kA 1/20 μ s		Switching current impulse 30/60 μ s	
5 kA	10 kA	20 kA	40 kA	10 kA	1/20 μ s	125 A	500 A
3,1 kV	3,3 kV	3,7 kV	4,4 kV	3,6 kV		2,3 kV	2,5 kV

Power frequency voltage versus time



Marking

Raychem
PolyGarde
10 kA Class 1
IEC 99-4
HDA-01
 U_c : 1 kV
 U_r : 1,25 kV
Manufacturing Year

EPP-0602-9_01