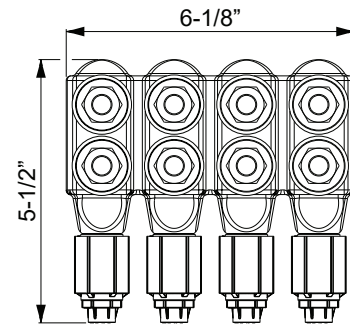
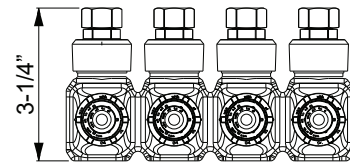


INSULATION PIERCING CONNECTOR REX64

Low Voltage Underground Residential Distribution



Description

The insulation piercing connector is a watertight shear head bolt connector. The connector is designed for low voltage underground distribution applications without the need to strip the insulation. The connector accepts both aluminum and copper conductors.

Technical Data

Conductor Range:	#6 AWG - 4/0 AWG
No of ports:	4
Anticipated product release:	Available

Product Information

Product Code

REX64

Features

- Insulation Piercing Technology, No need to strip the cable insulation.
- Fully insulated.
- Equipped with 3/4" shear-head bolt.
- Suitable for direct burial.
- Tested according to ANSI C119.1 standard.