
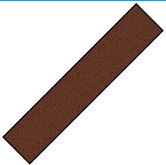
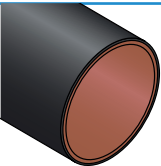
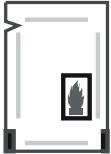
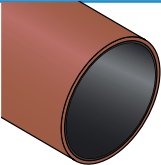
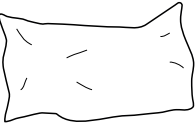
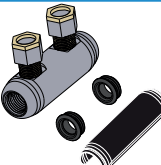

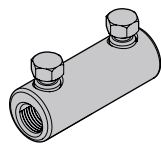

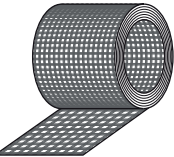
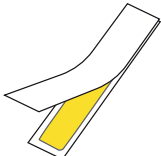

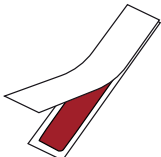
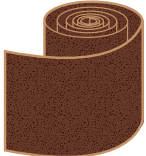


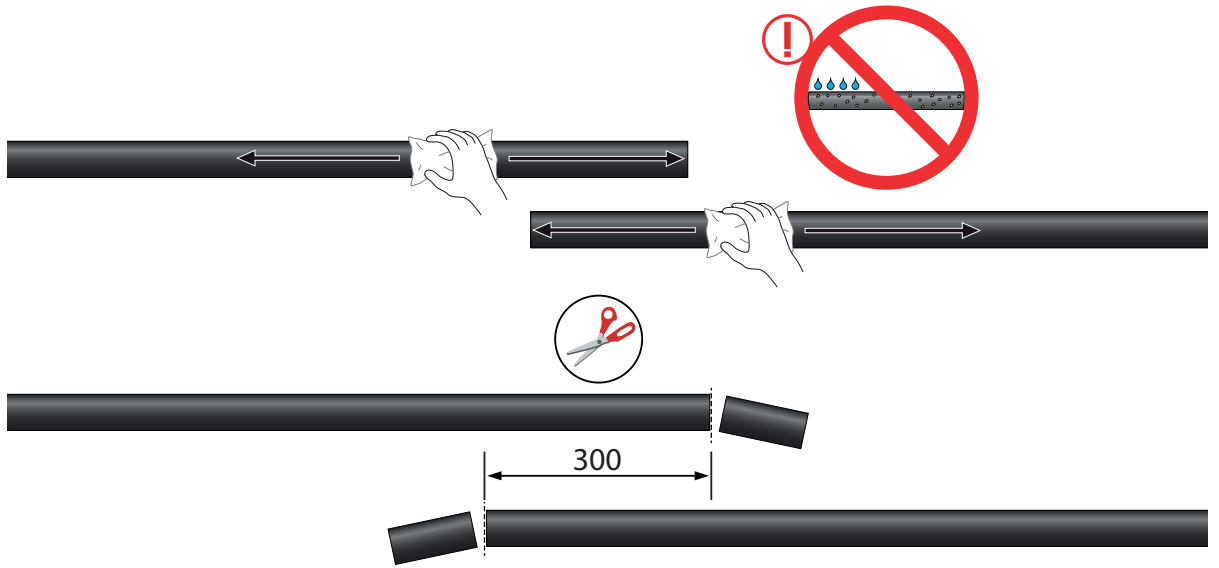


HJ11.2402C

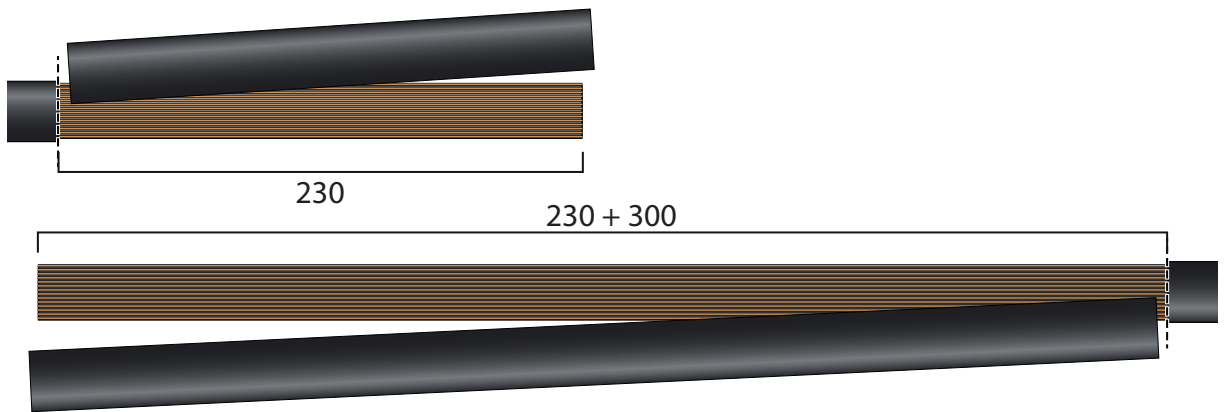
$U_o/U(U_m)$ kV	  mm ²
12/20 (24) kV	25-95

	CPEEPL68-19	675 mm	1		PEE64/150	1
	SIST16	420 mm	1		CT149	1
	SISCT38	380 mm	1		PA23	1
	CA95SB2		1		PEE225W	1
	SLJ1.27		1		PEM-HJ11_2402C	1
	STCTA49.2	2000 mm	2			
	SSCTA85.6	650 mm	1			
	SSCTA85.1	100 mm	2			
	SSM83.3	1 x 360 mm	2			
	PEE64.1/600		1			

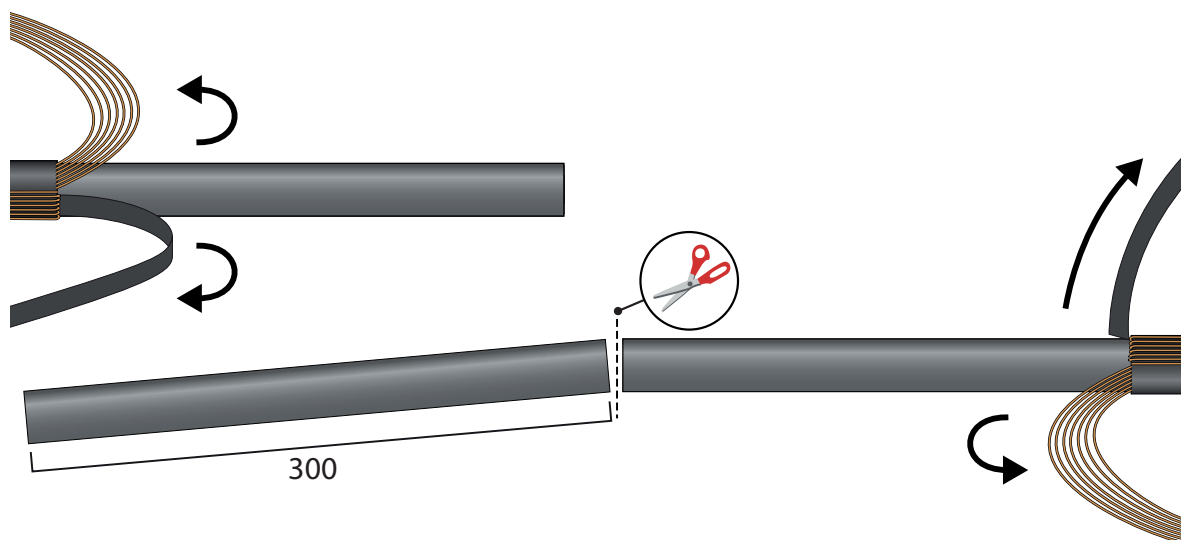
1



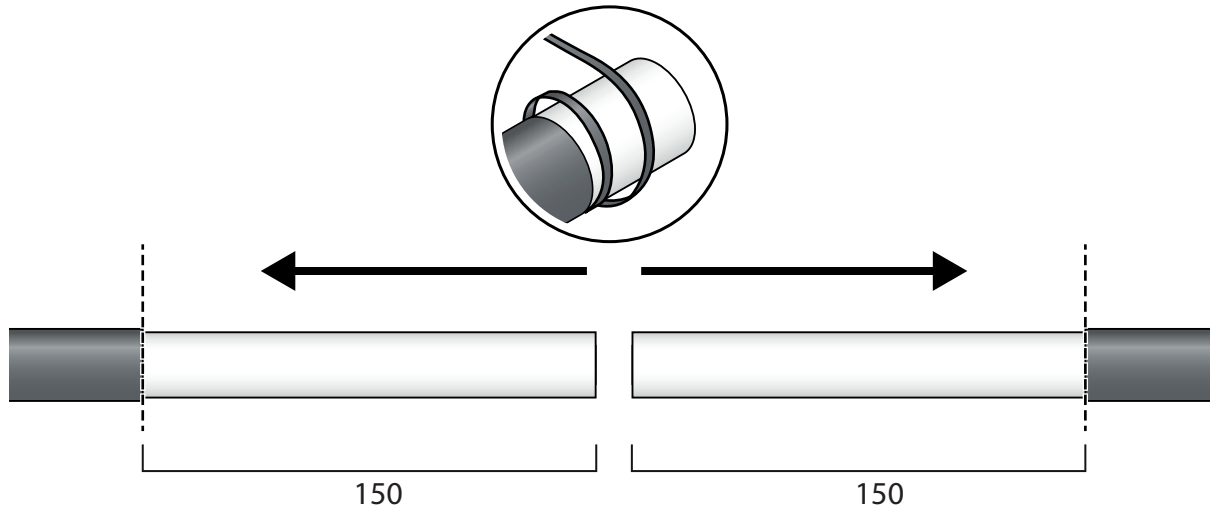
2



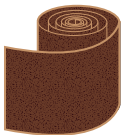
3



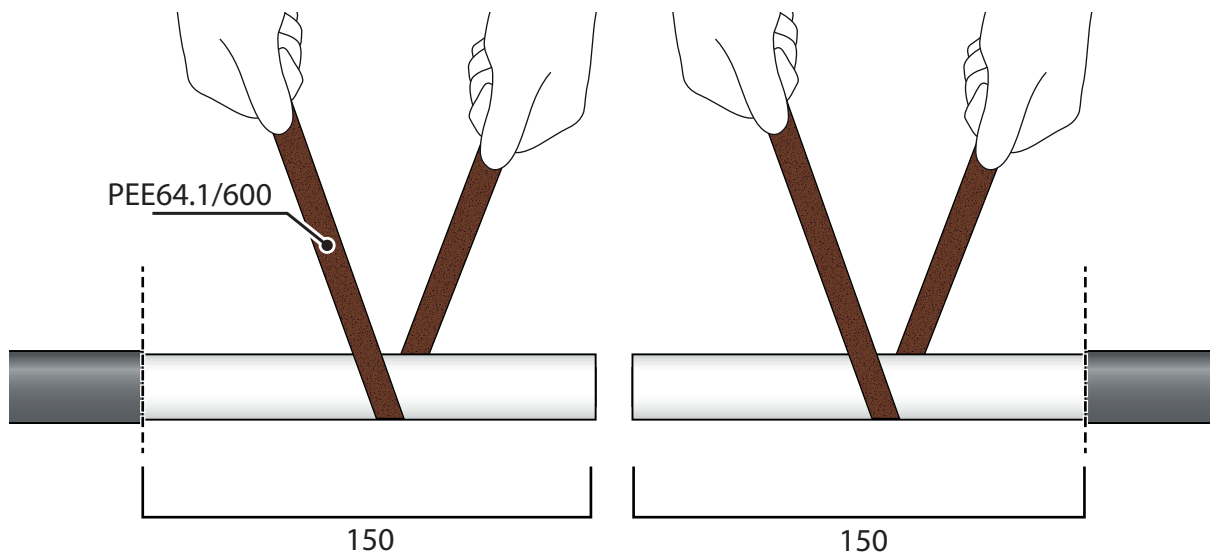
4



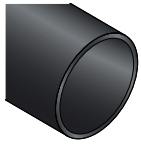
5



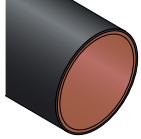
PEE64.1/600



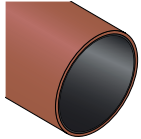
6



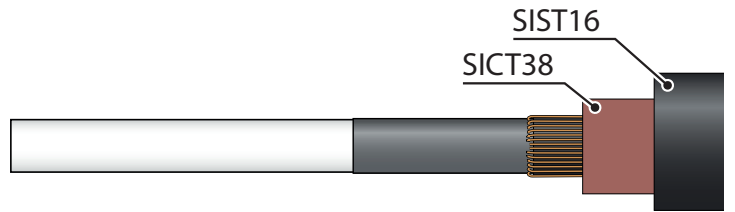
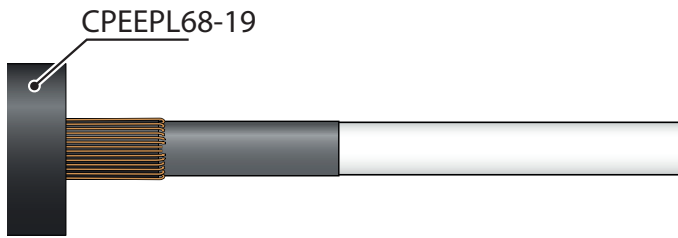
CPEEPL68-19



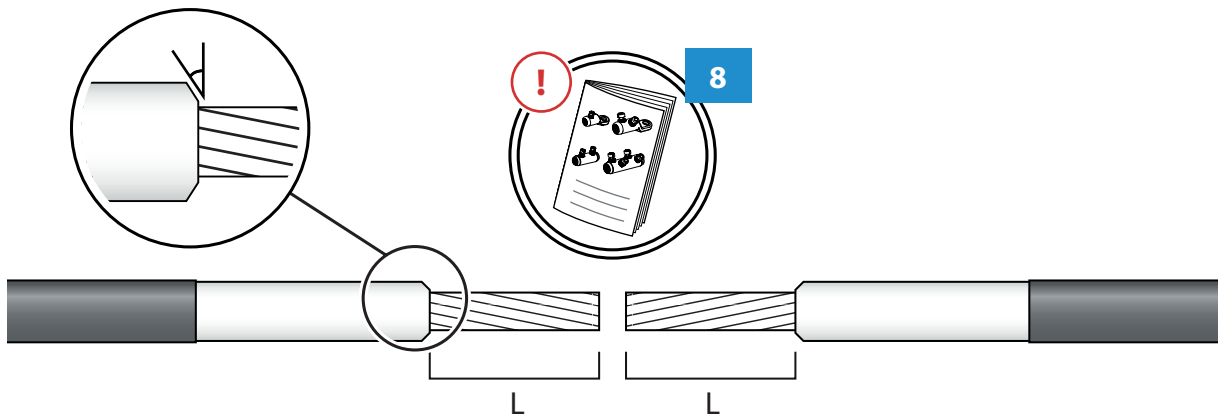
SIST16



SICST38

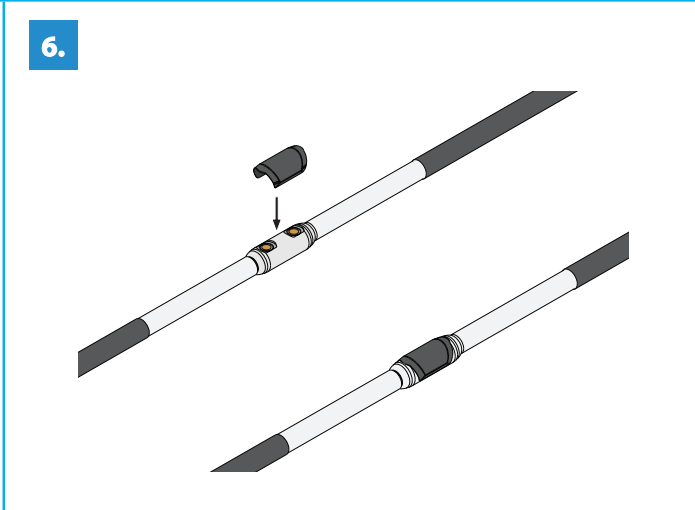
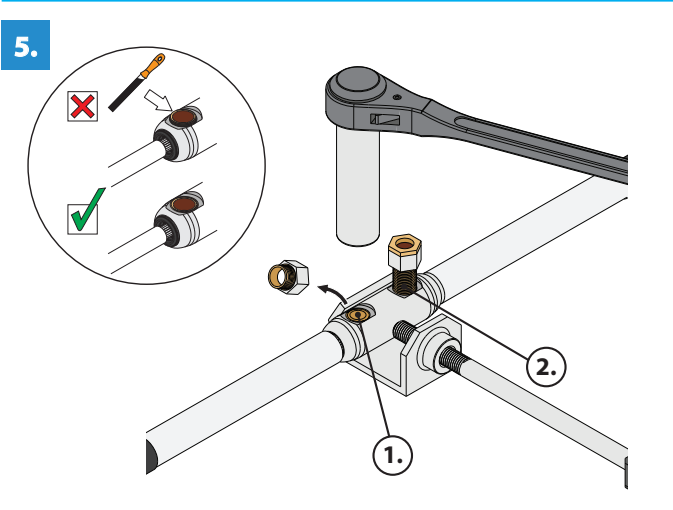
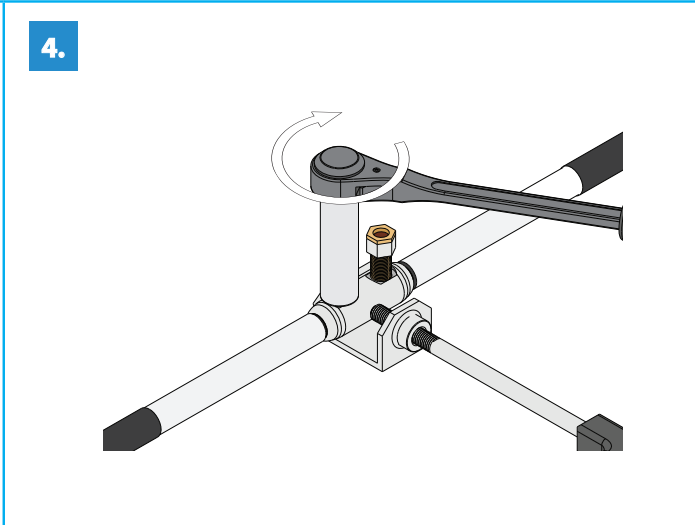
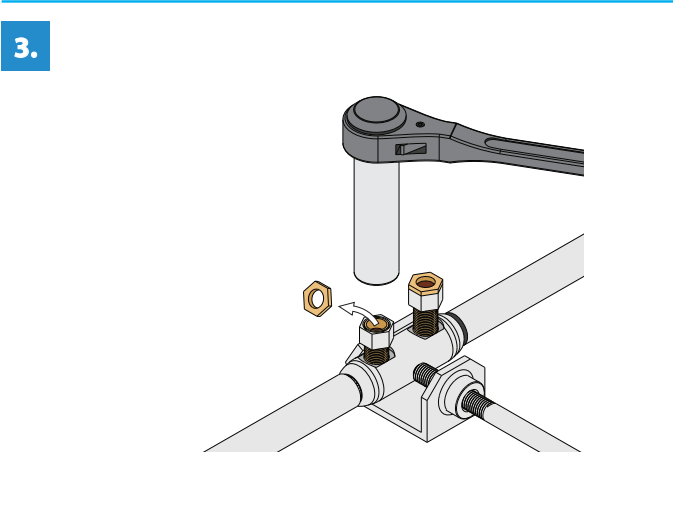
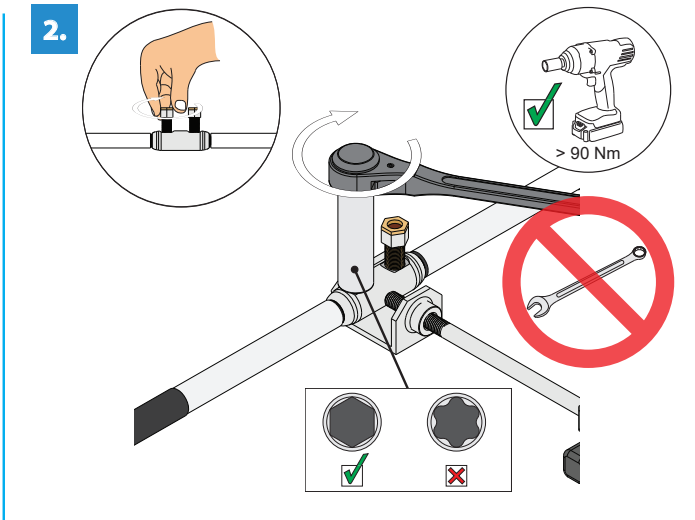
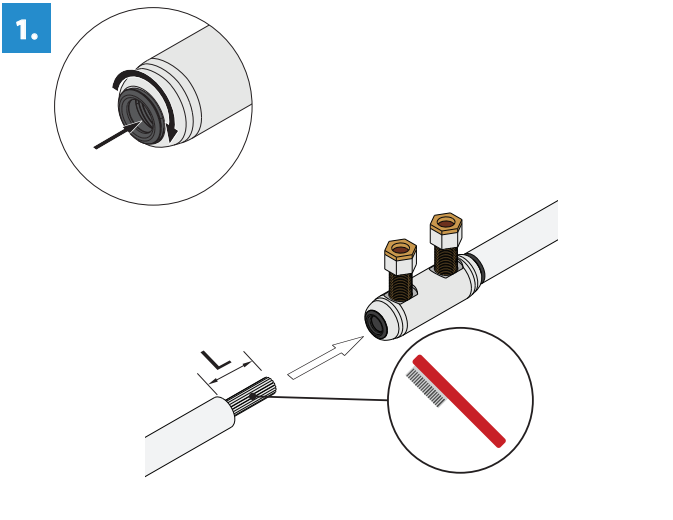


7





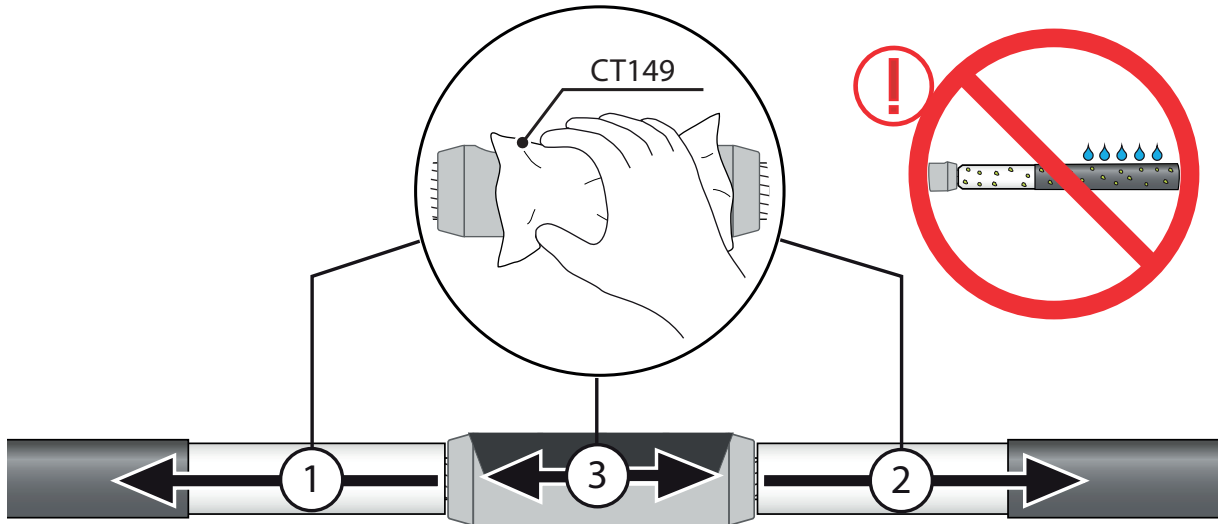
	mm	mm ²	mm ²	mm ²	mm	mm ²	mm ²	mm
CA95SB2	3.6-12	10-95	90° 10-70 120° 10-50	90° 10-70 120° 10-50	35	10 - 50	-	d=15 / L > 26



9



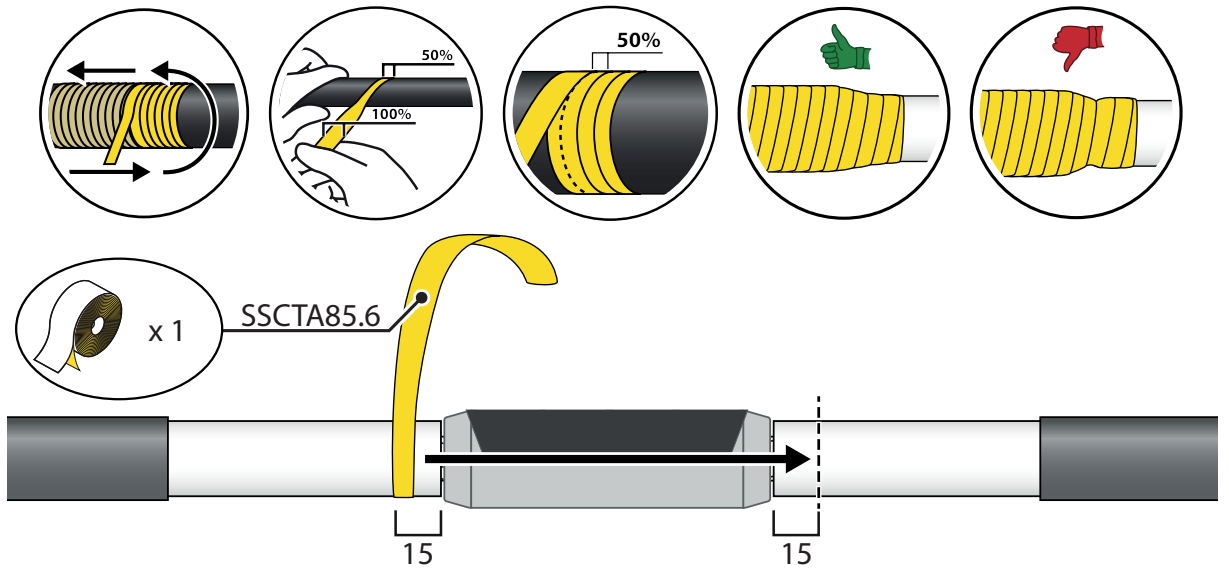
CT149



10



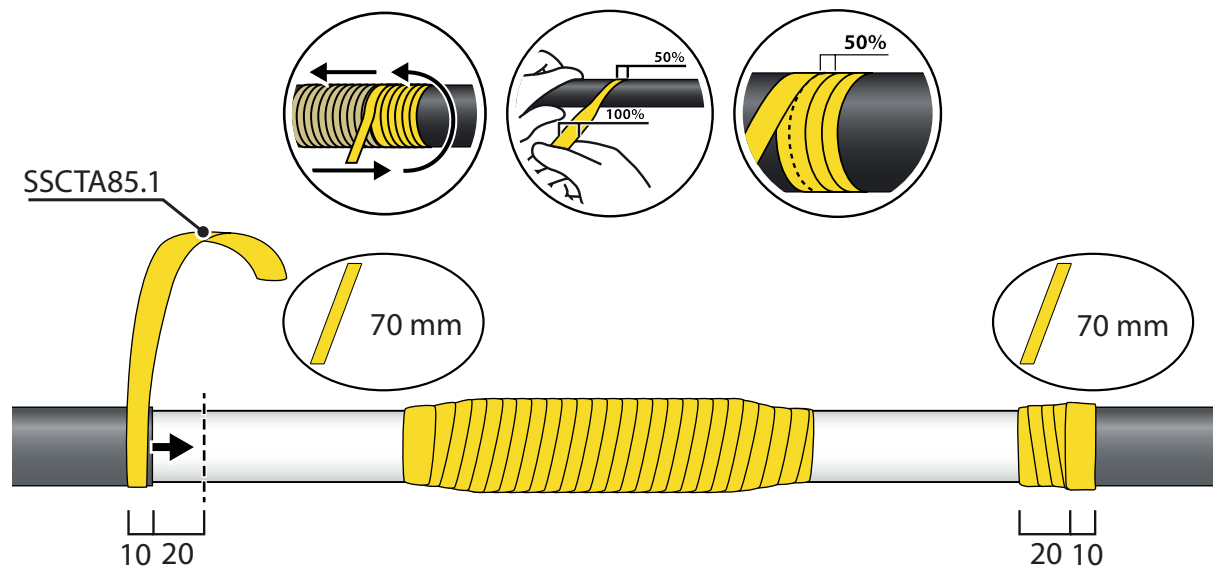
SSCTA85.6



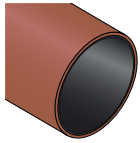
11



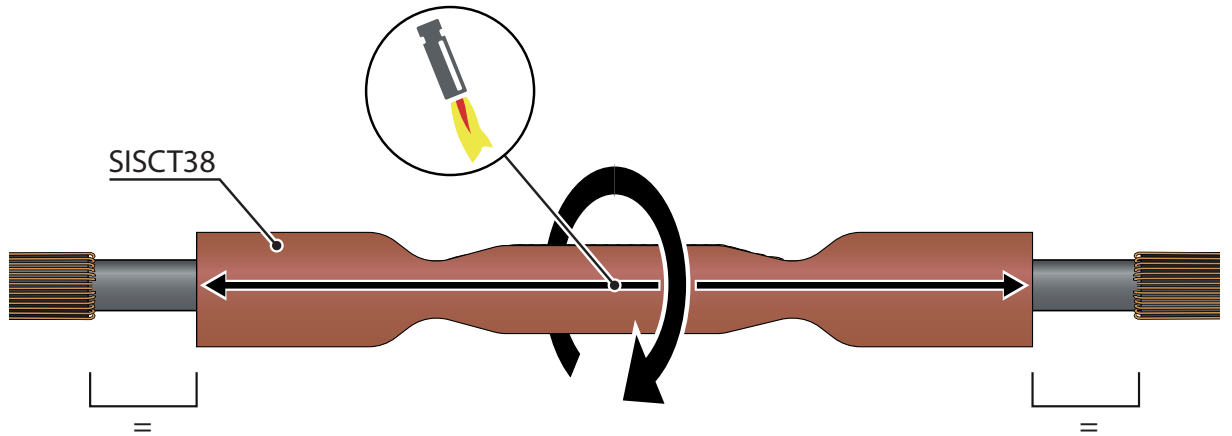
SSCTA85.1



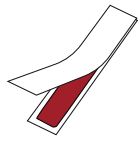
12



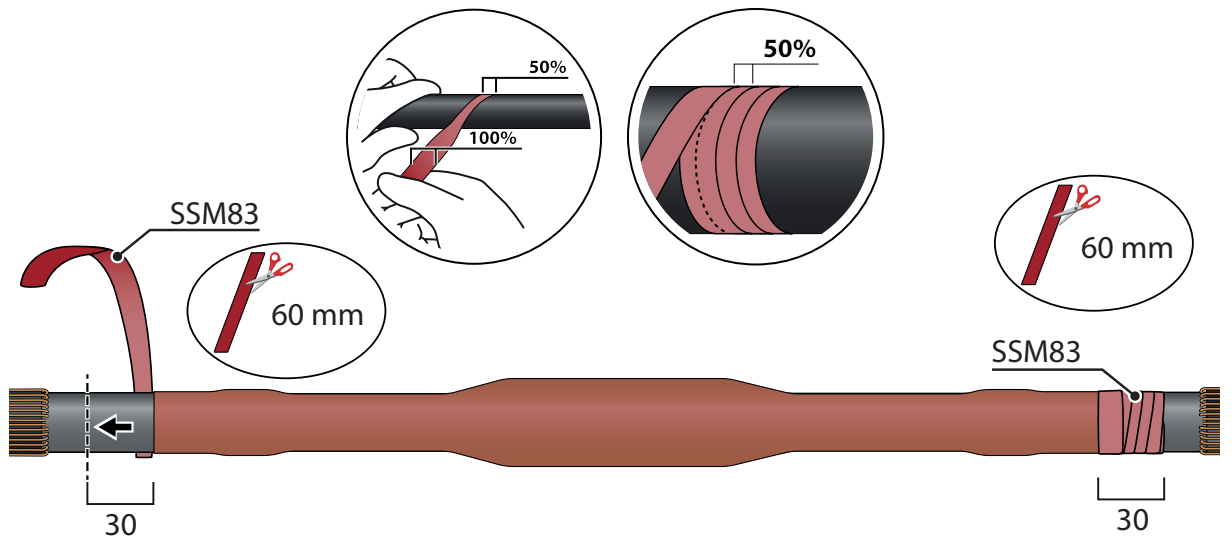
SISCT38



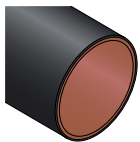
13



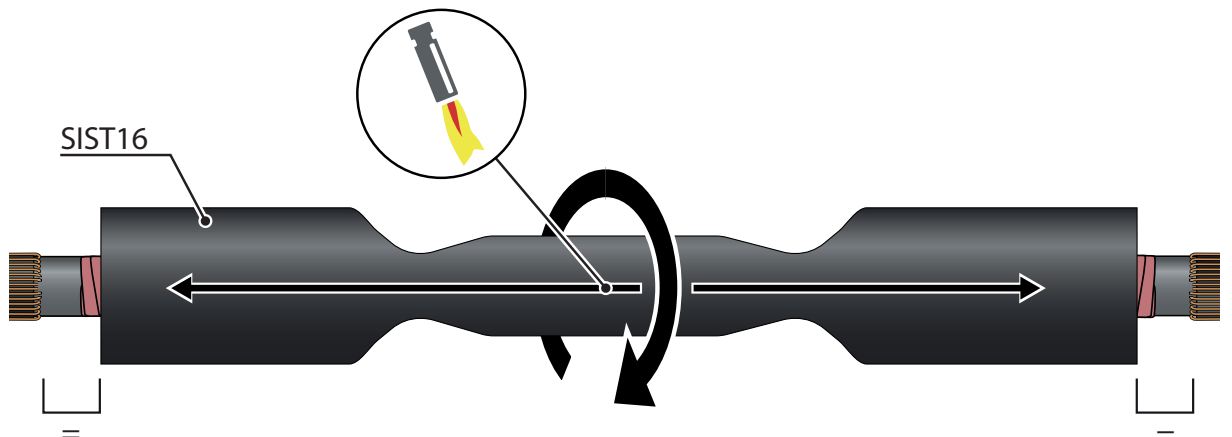
SSM83



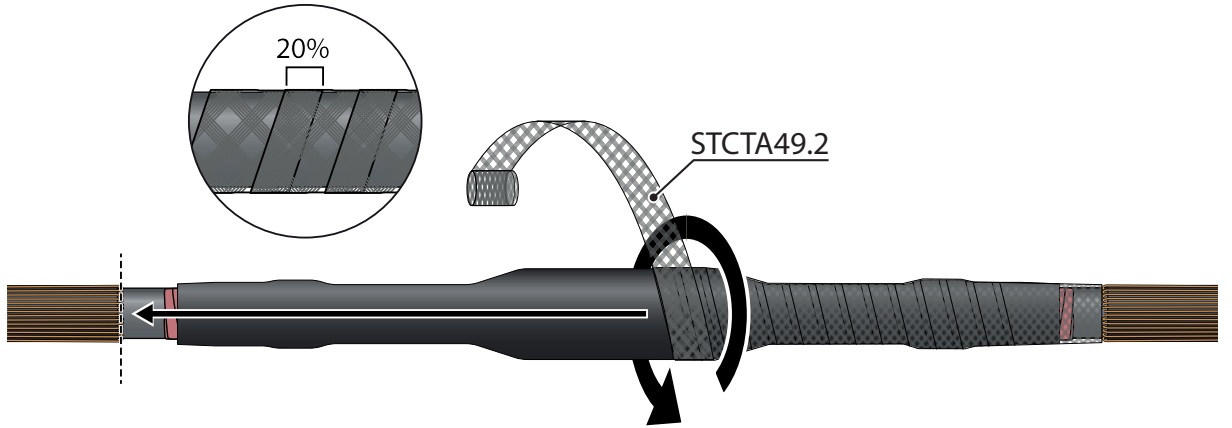
14



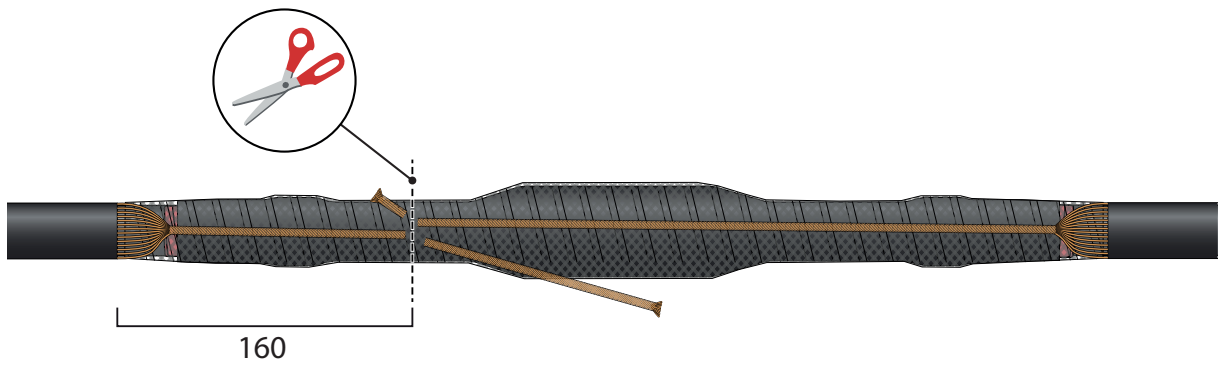
SIST16



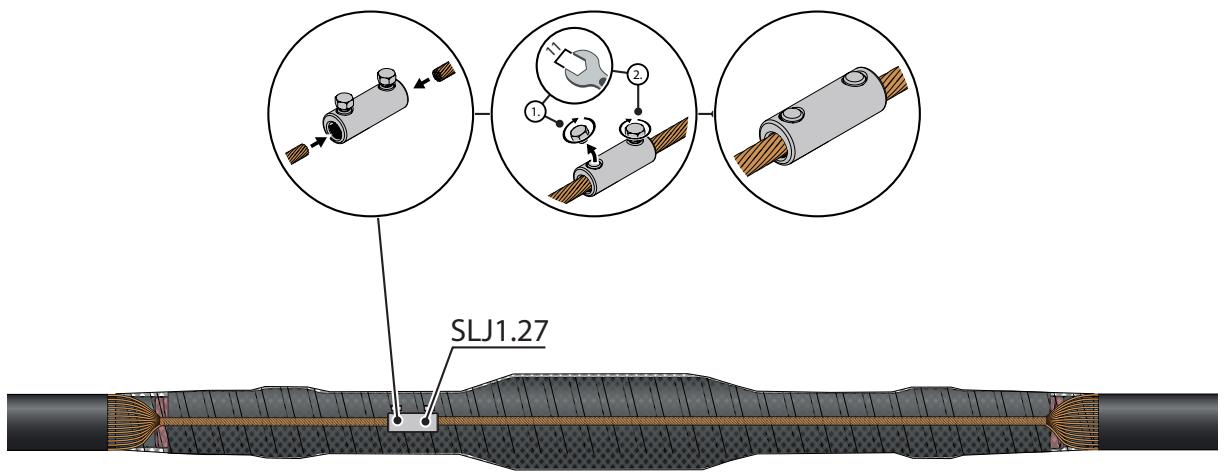
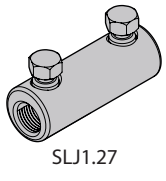
15



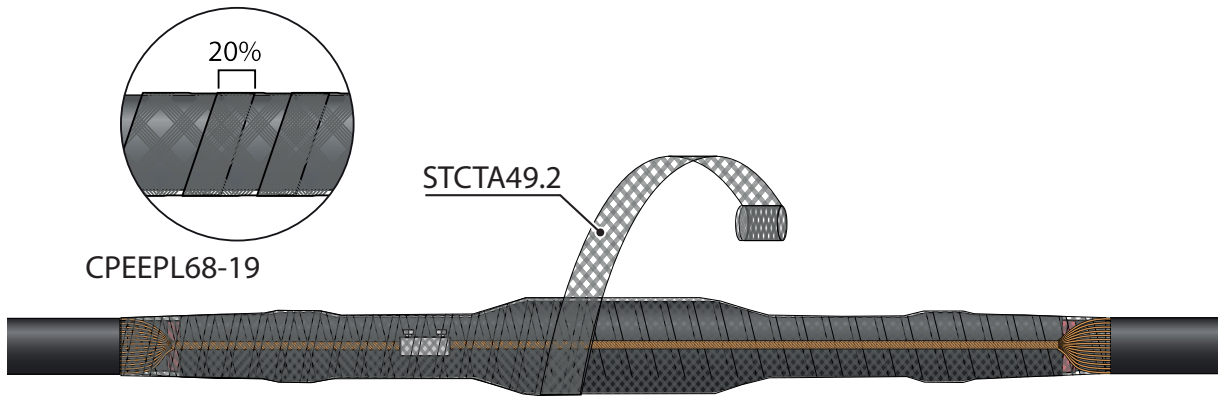
16



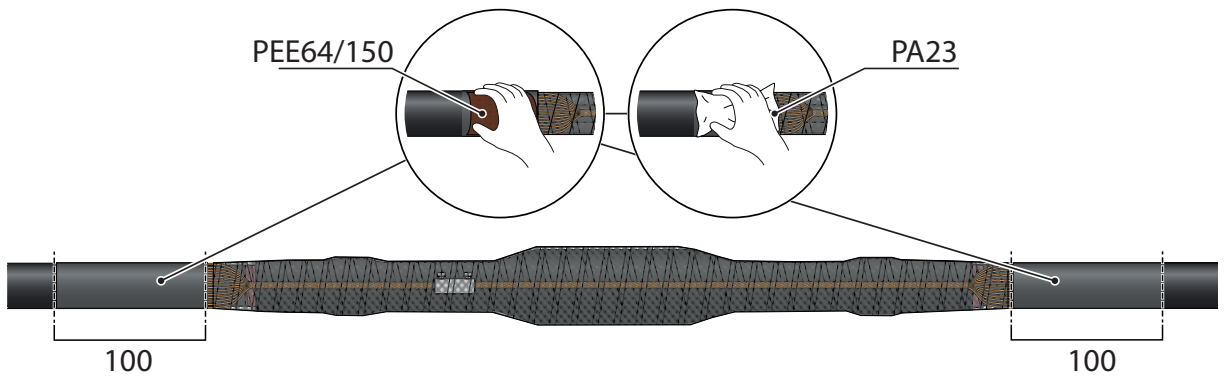
17



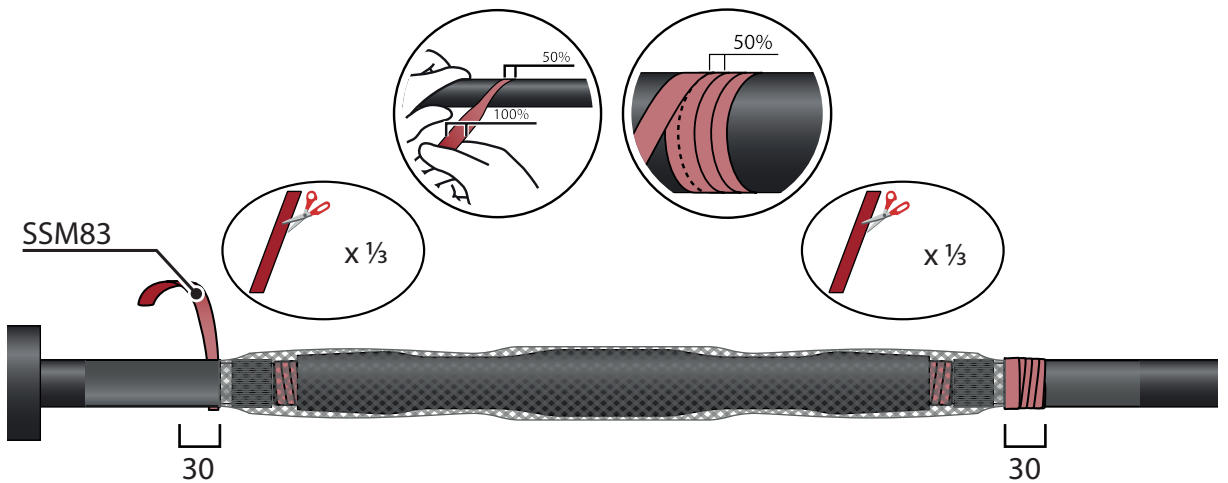
18

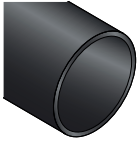


19



20





CPEEPL68-19

