

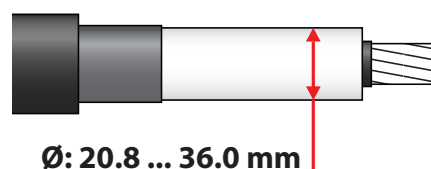




## CJH33.2403CTT

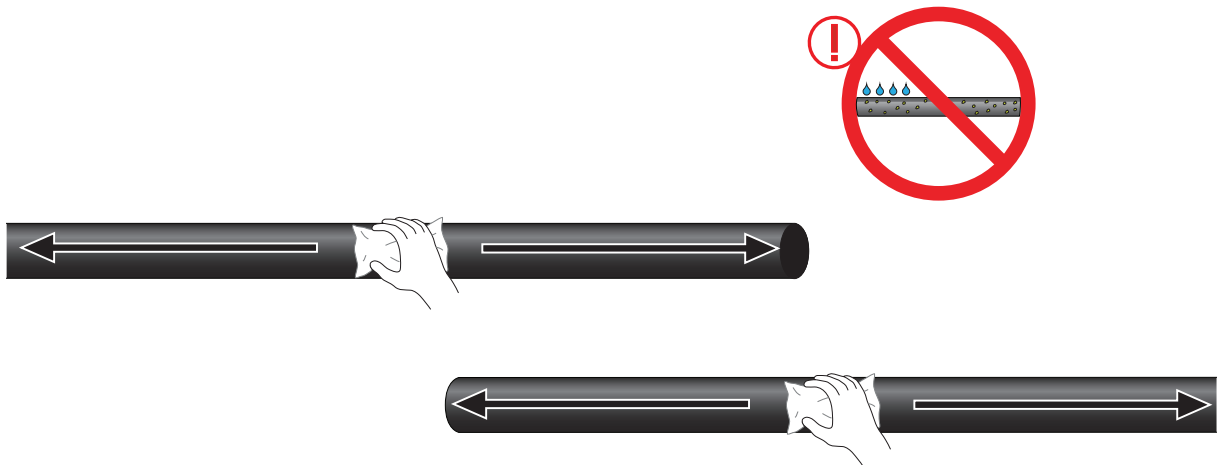
$U_o/U (U_m)$ kV	  mm <sup>2</sup>
12.7/22 (24) kV	95-240
6.35/11 (12) kV	150-240



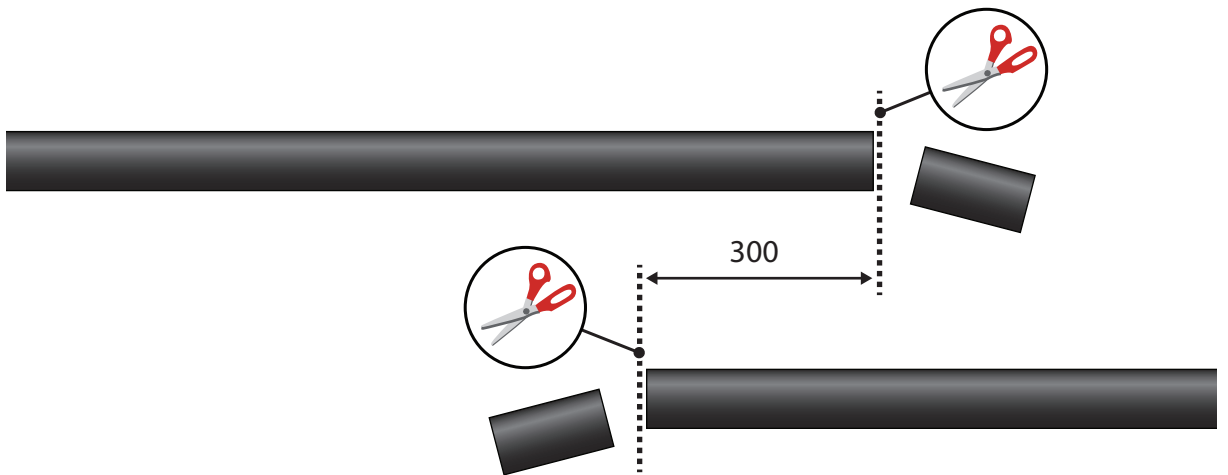


	CSJM16-45/340-50L		3		PA23		1
	CPEEPL130-36	600 mm	1		PEE64.1	600 mm	2
	CPEEPL140-42	900 mm	1		PEE64	150 mm	1
	MALF264	1350 mm	1		PEE39	1500 mm	1
	CA240SB4		3		PEE225W		1
	SLJ1.27		1		PEM-CJH33_2403CTT		1
	STCTA49.9	9000 mm	2				
	ALT75/140		3				
	SSM83.3	1 x 360 mm	5				
	MPA21 RFL15		3 3				
	CT149		6				

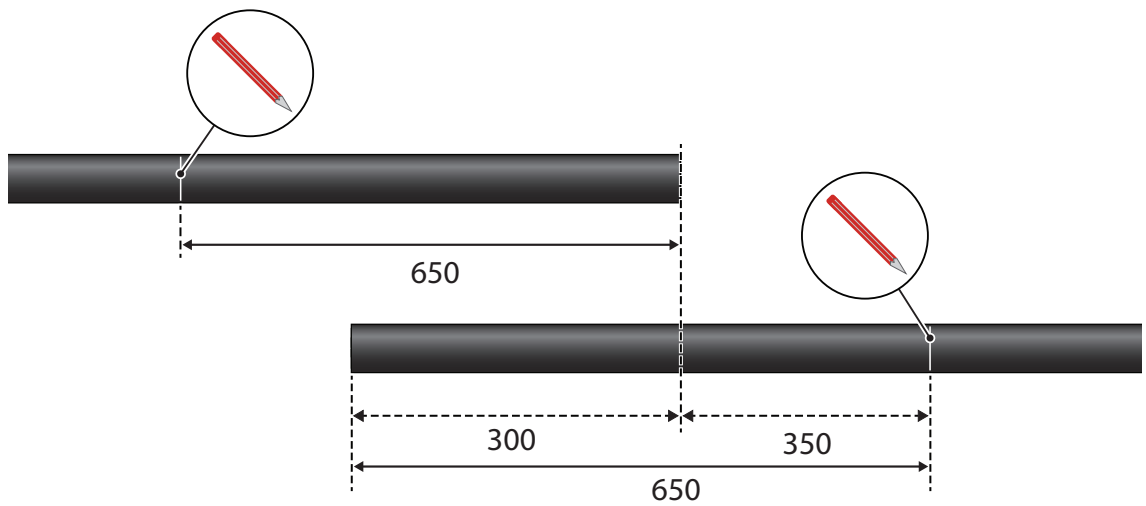
1



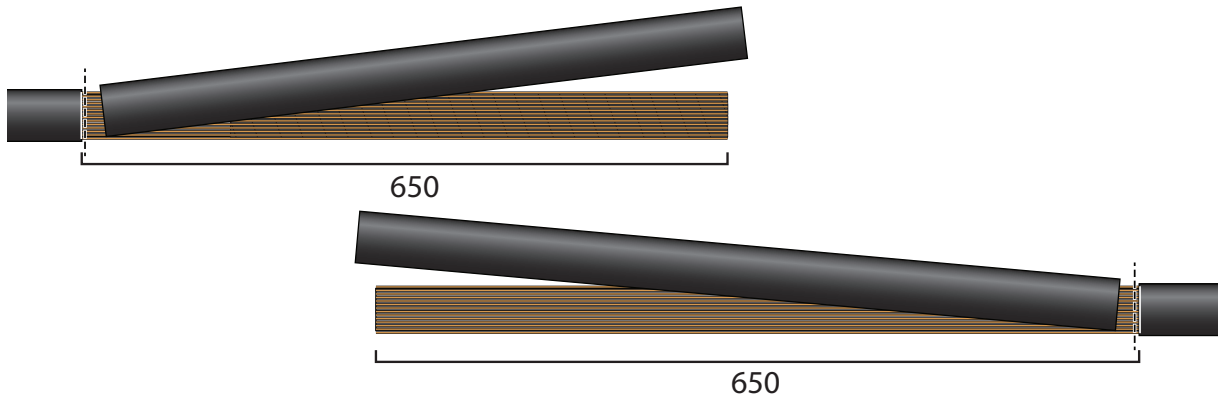
2



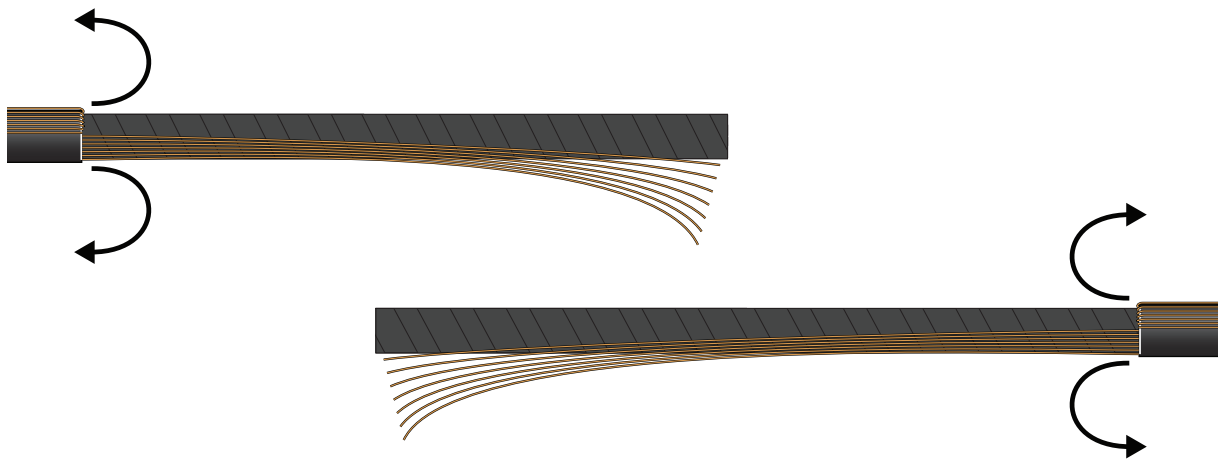
3



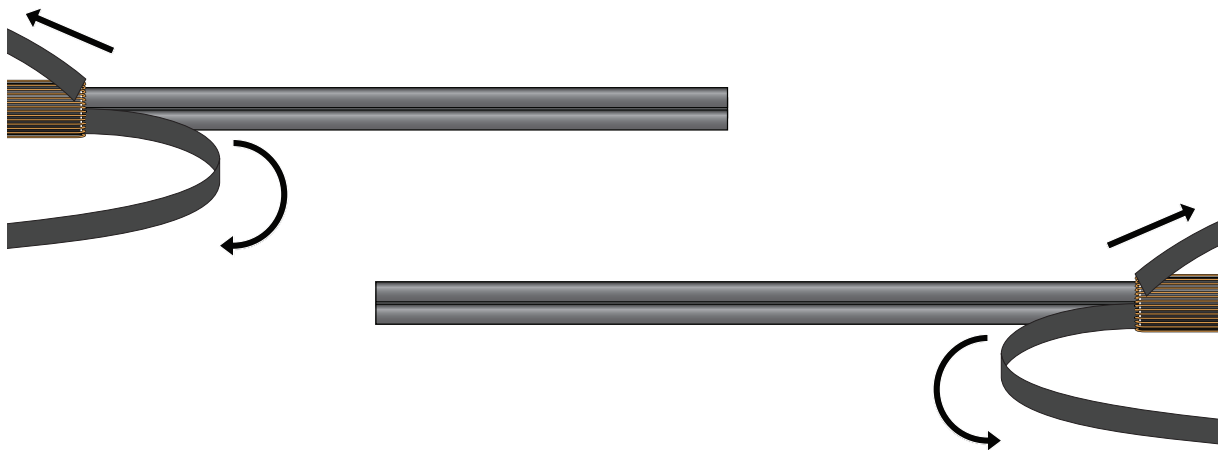
4



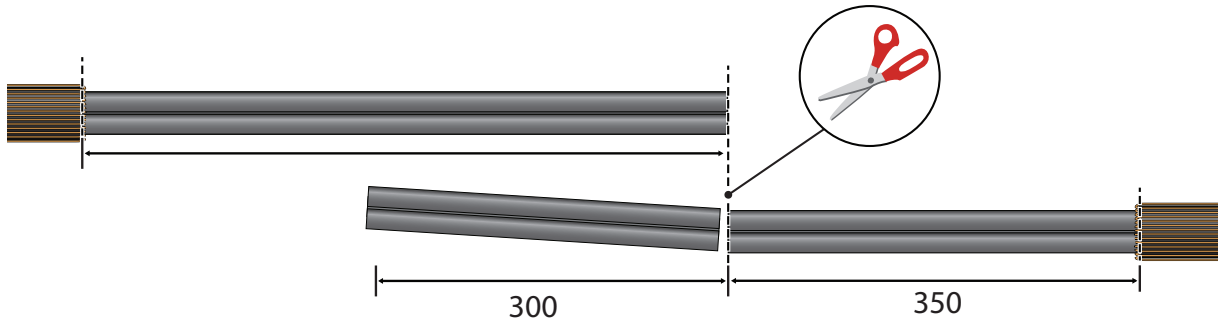
5



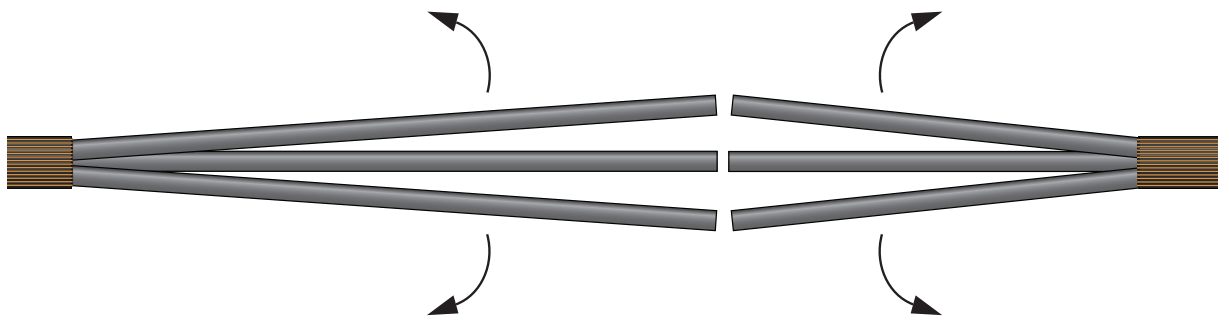
6



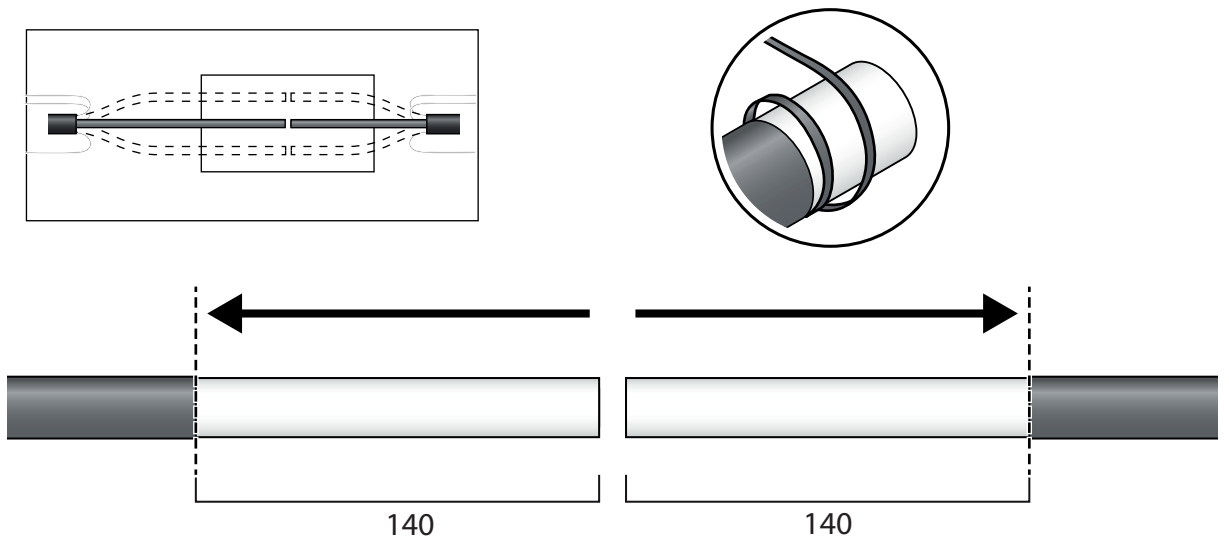
7



8



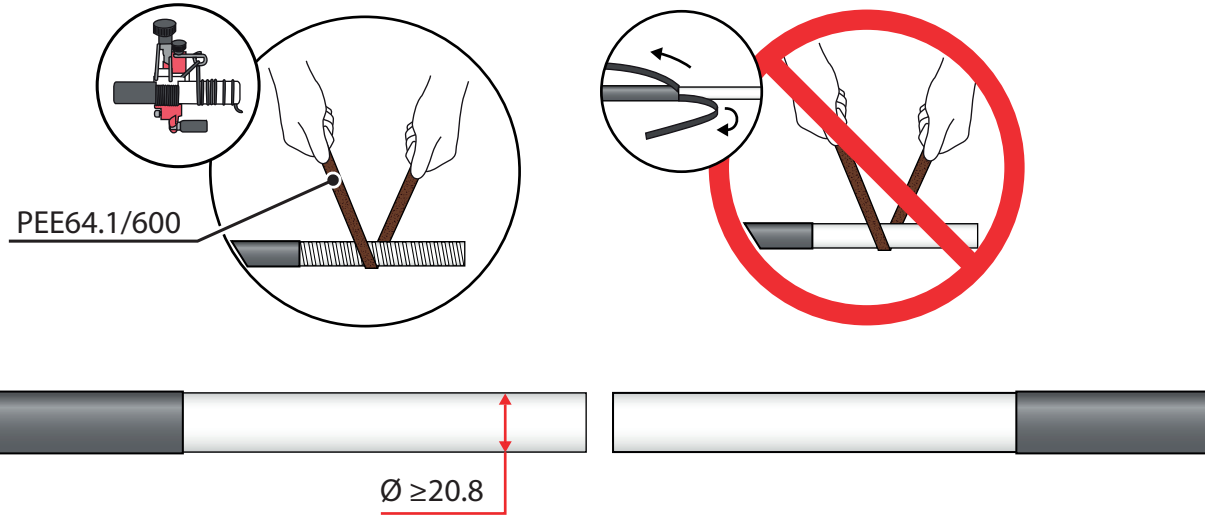
9



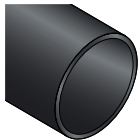
10



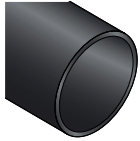
PEE64.1/600



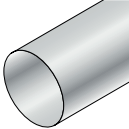
11



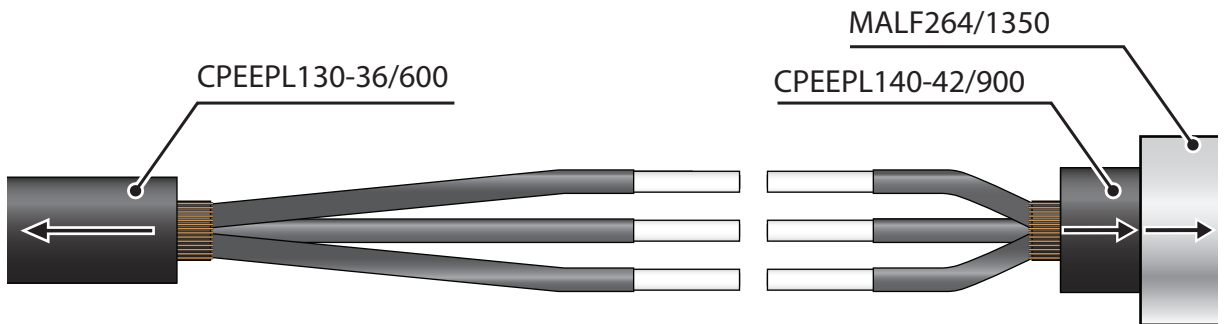
CPEEPL130-36/600



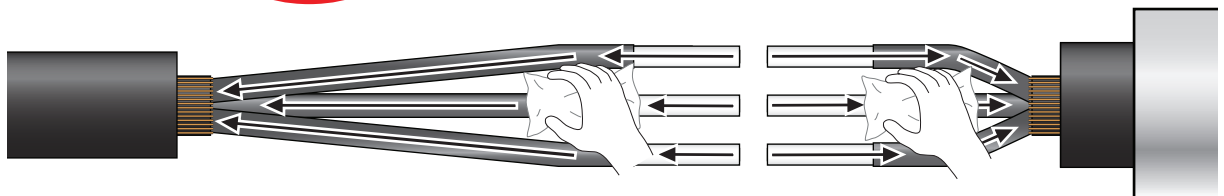
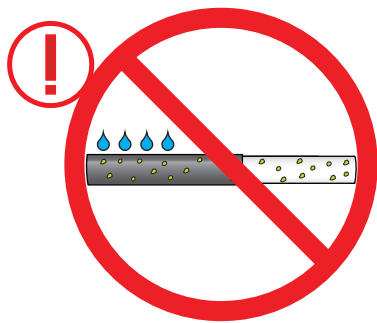
CPEEPL140-42/900



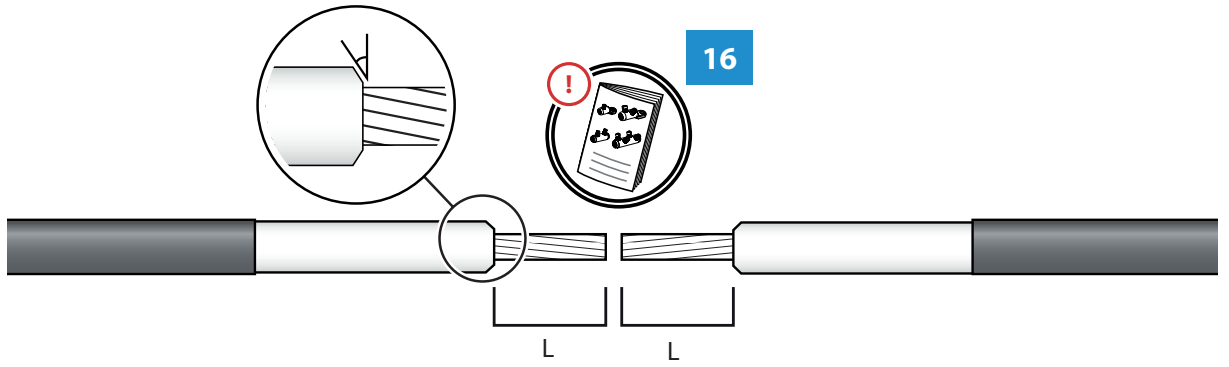
MALF264/1350



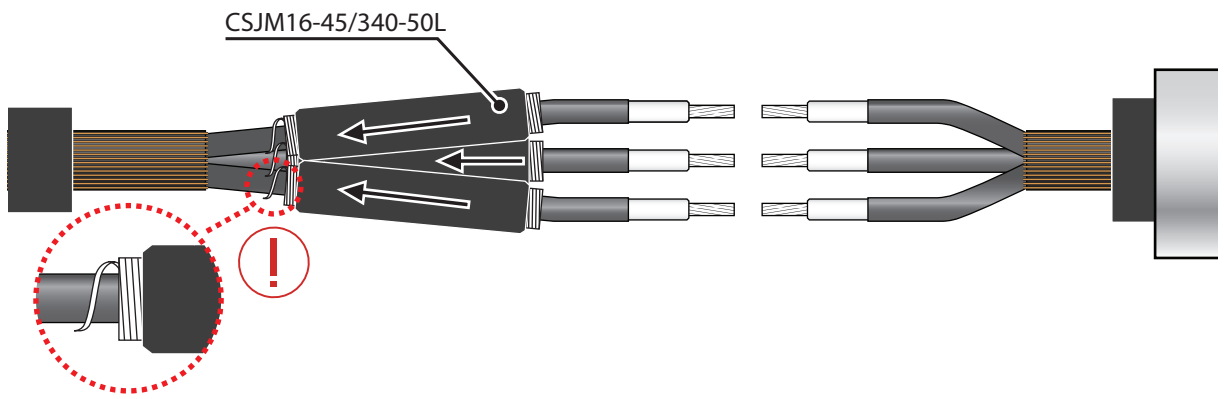
12



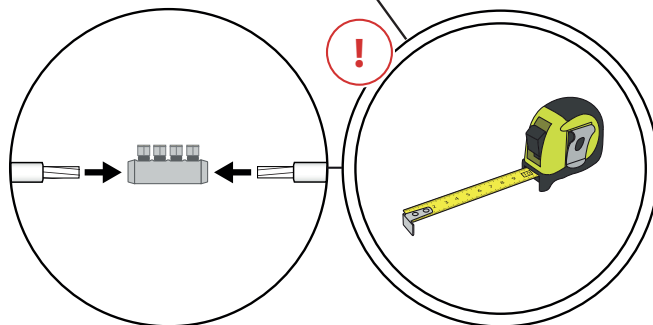
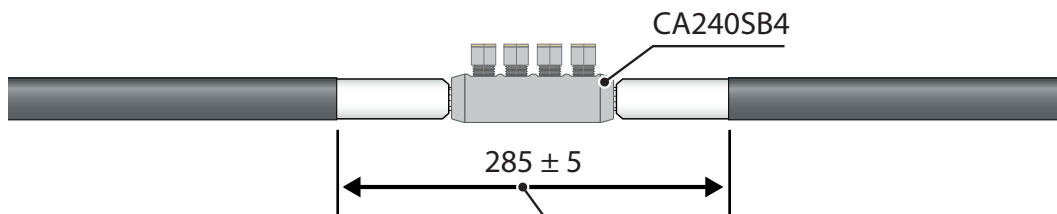
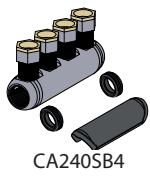
13



14



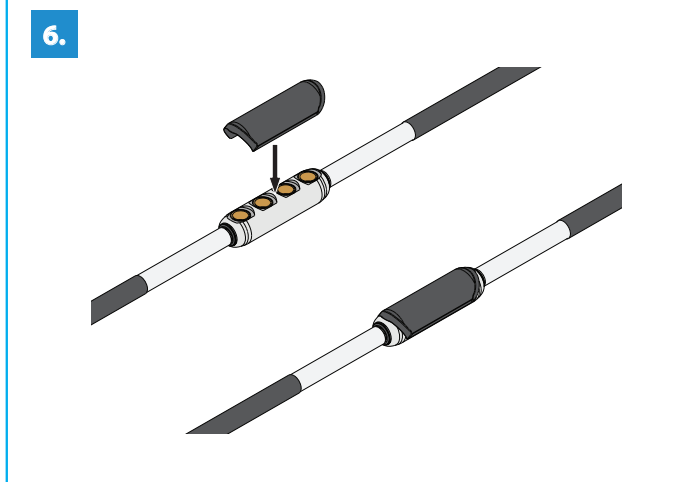
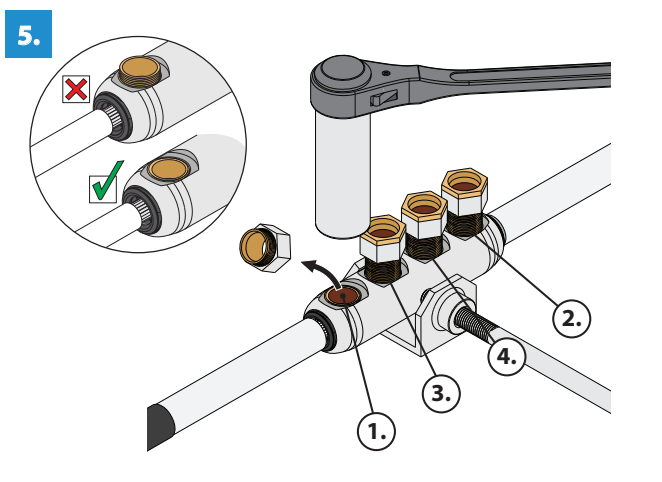
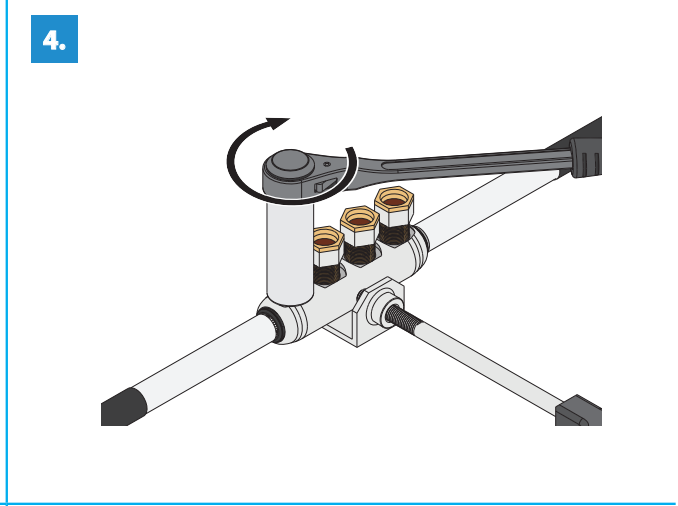
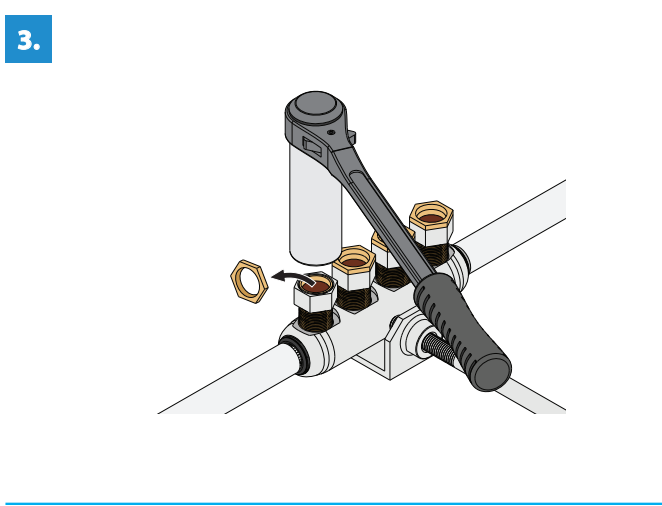
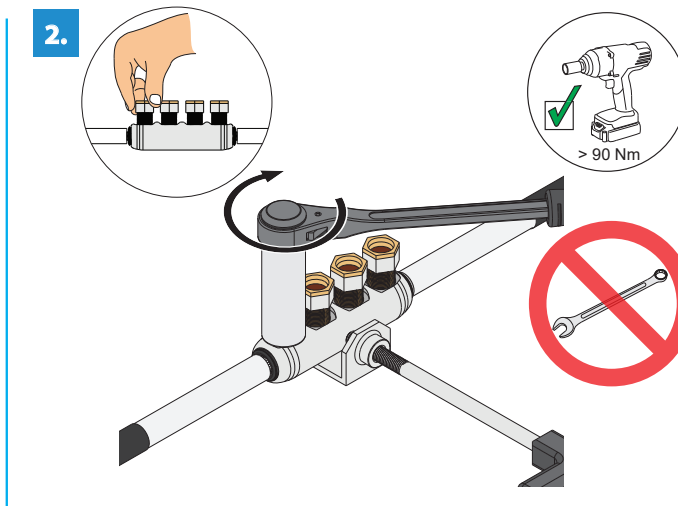
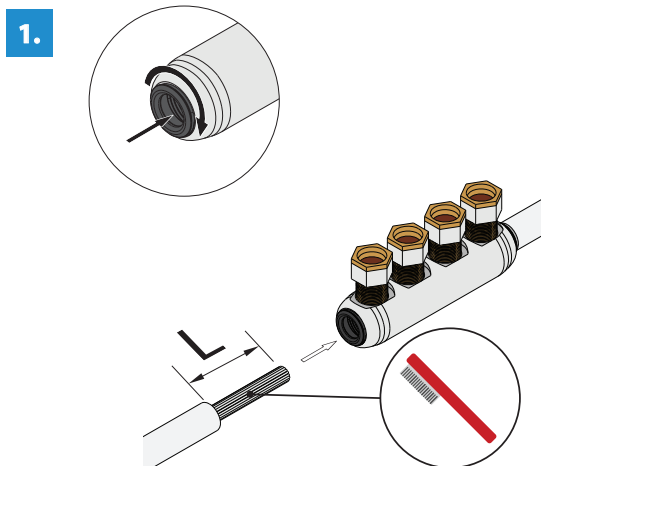
15







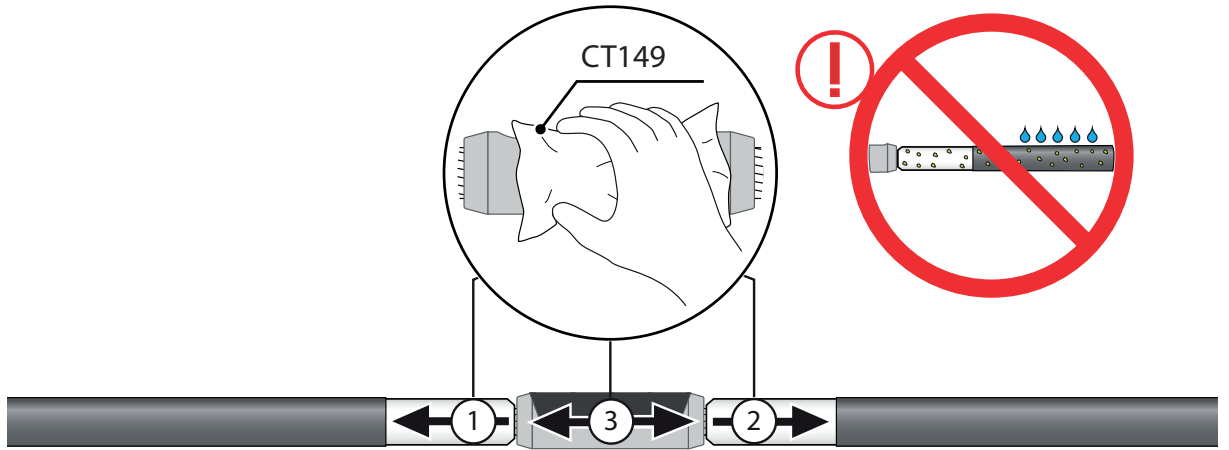
	mm	mm <sup>2</sup>	mm <sup>2</sup>	mm <sup>2</sup>	mm	mm <sup>2</sup>		mm
CA240SB4	7.7-19.2	50-240	90° 50-150 120° 50-120	90° 50-185 120° 50-150	60	50-95	120-150	d = 21 L <sub>min</sub> = 26



17



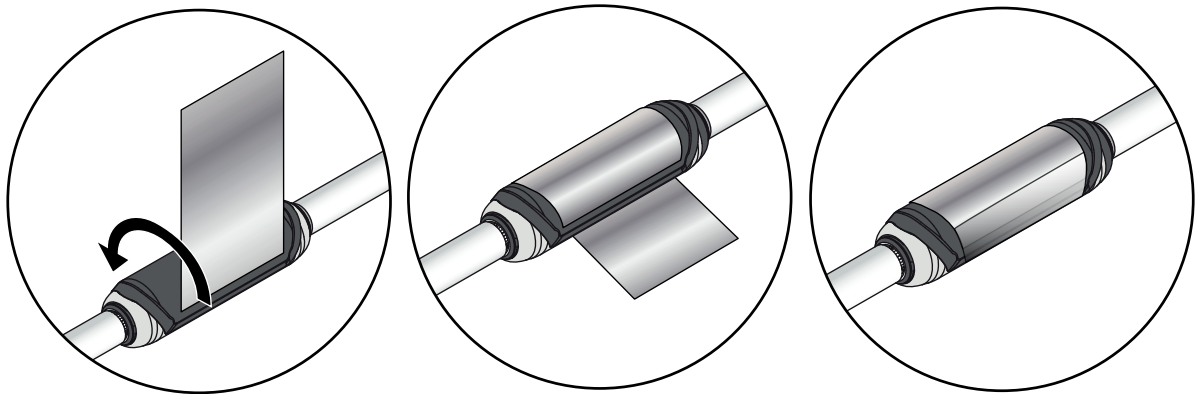
CT149



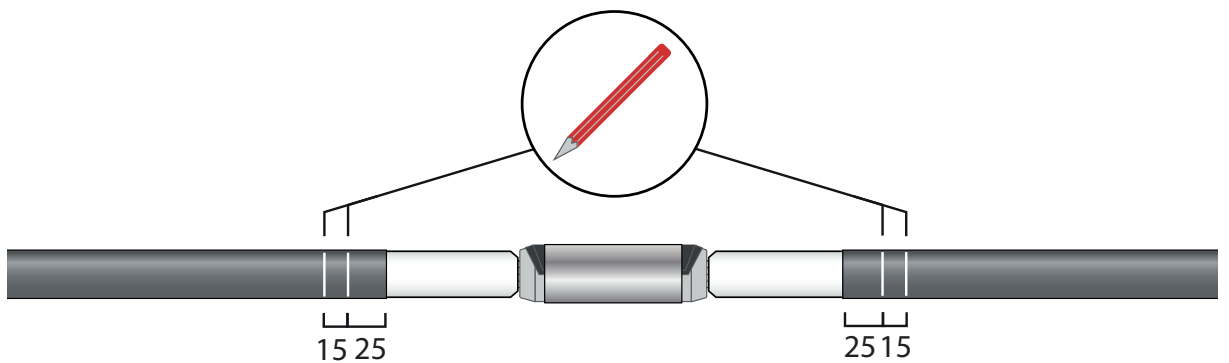
18



ALT75/140



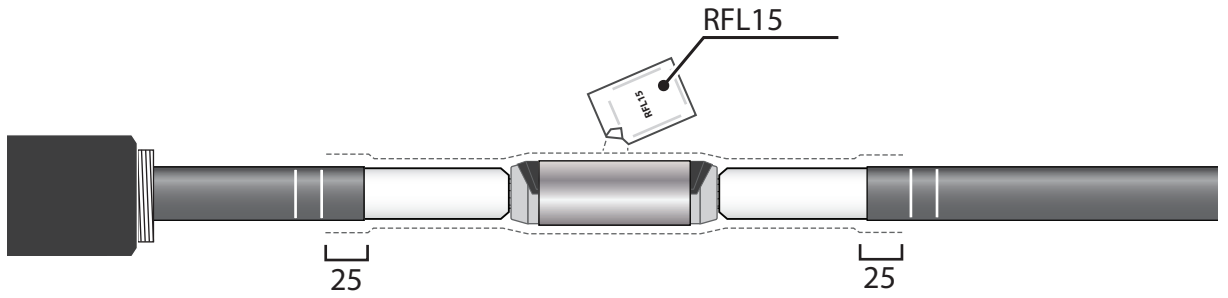
19



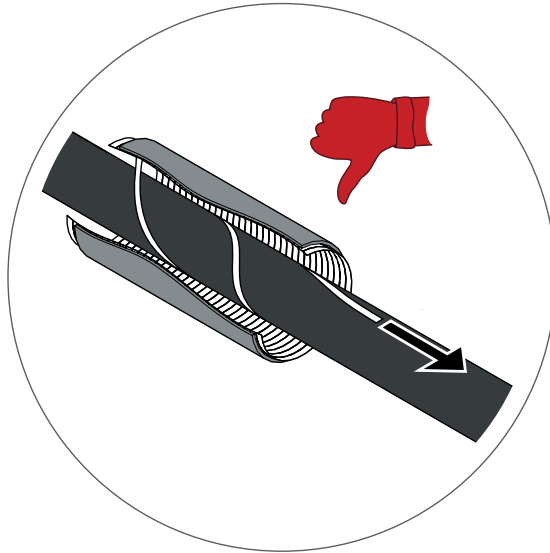
20



RFL15



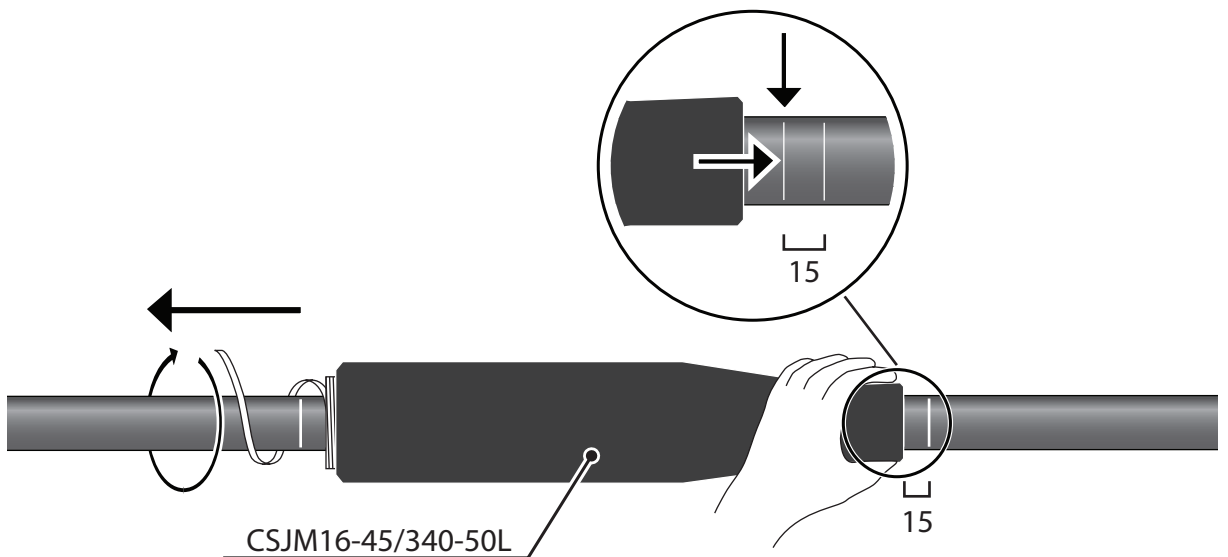
21



22



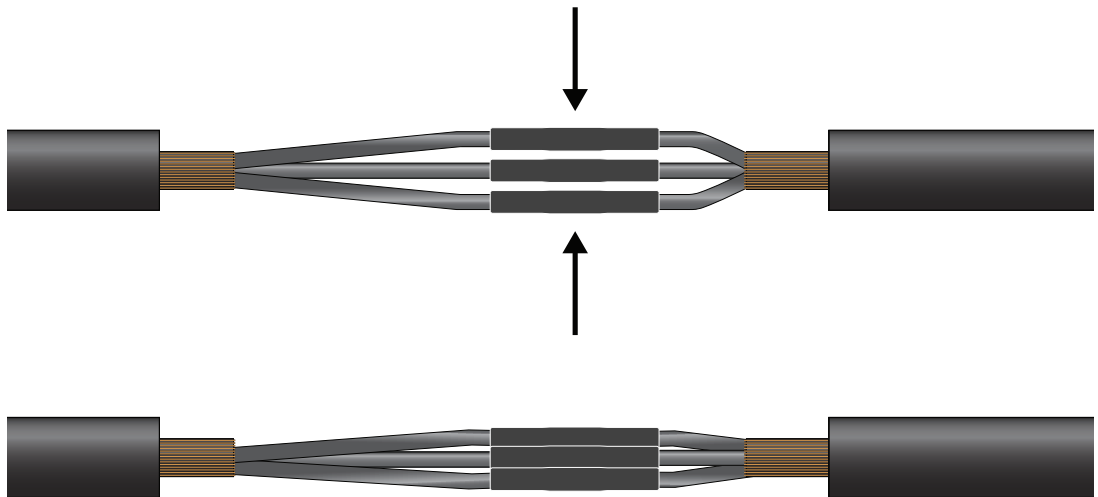
CSJM16-45/340-50L



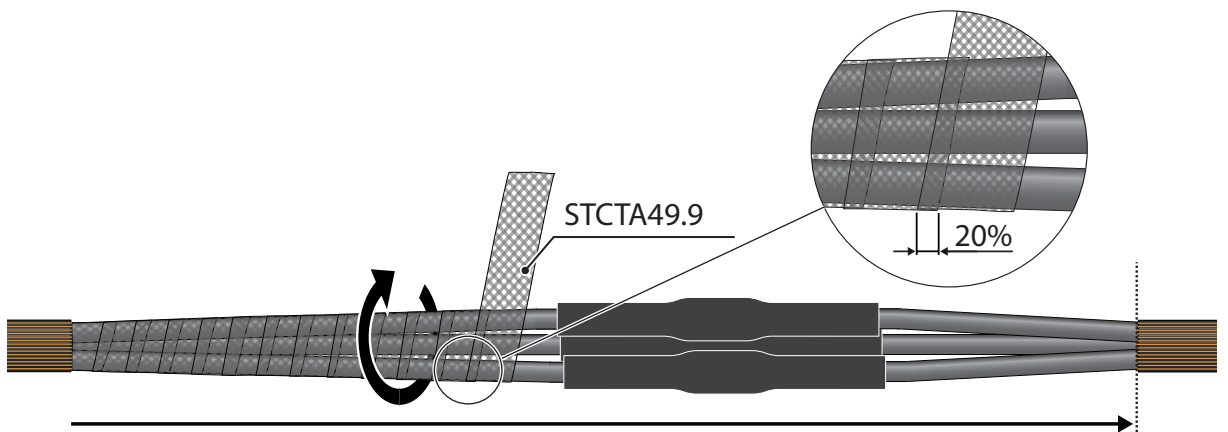
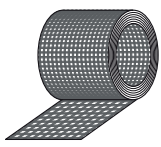
23



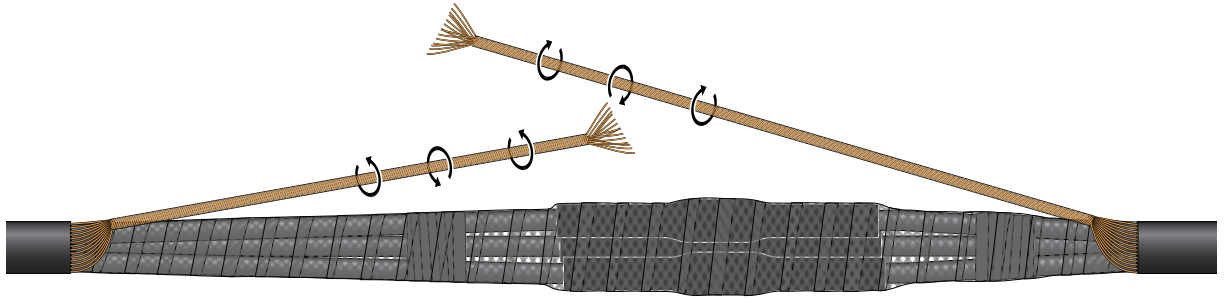
24



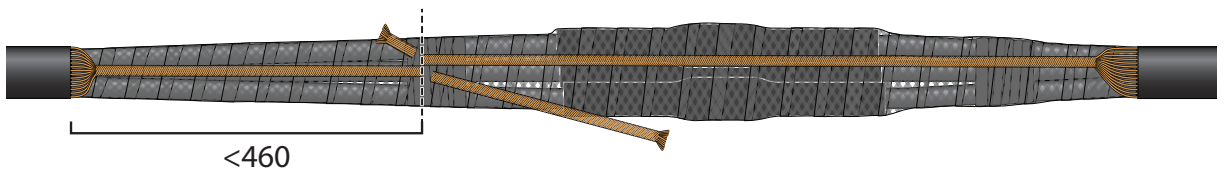
25



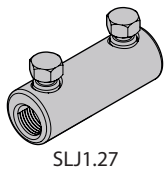
26



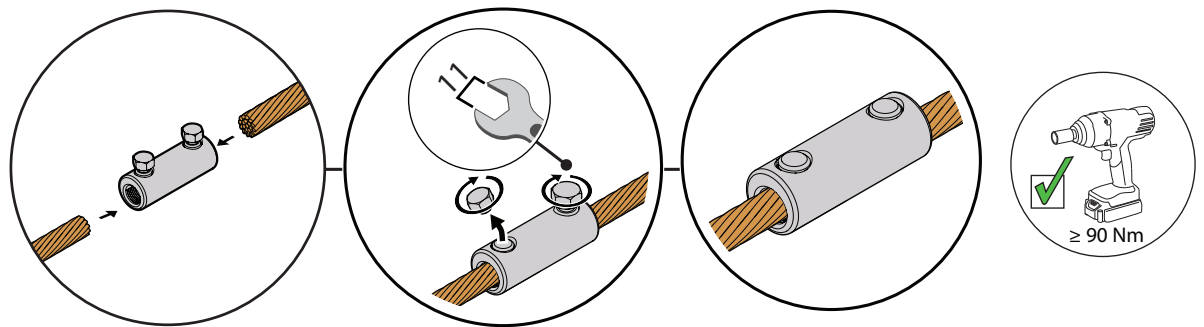
27

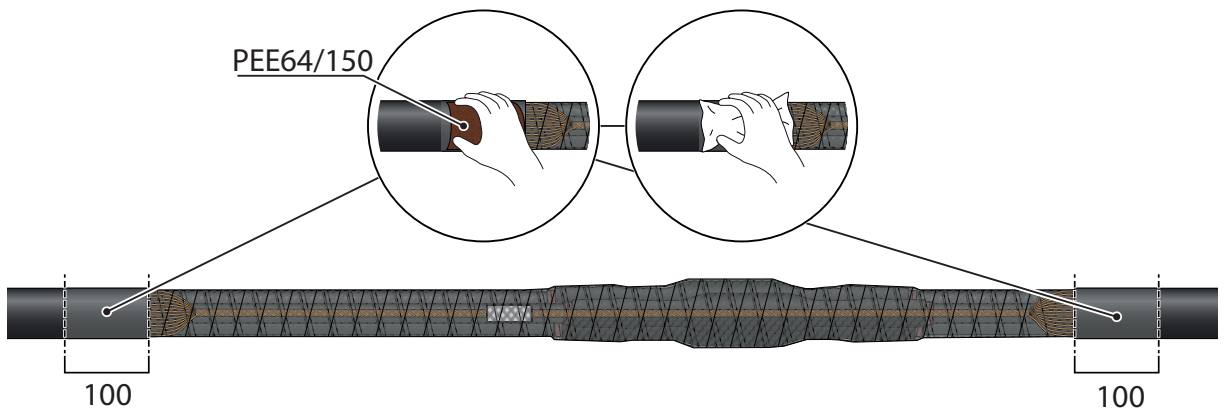
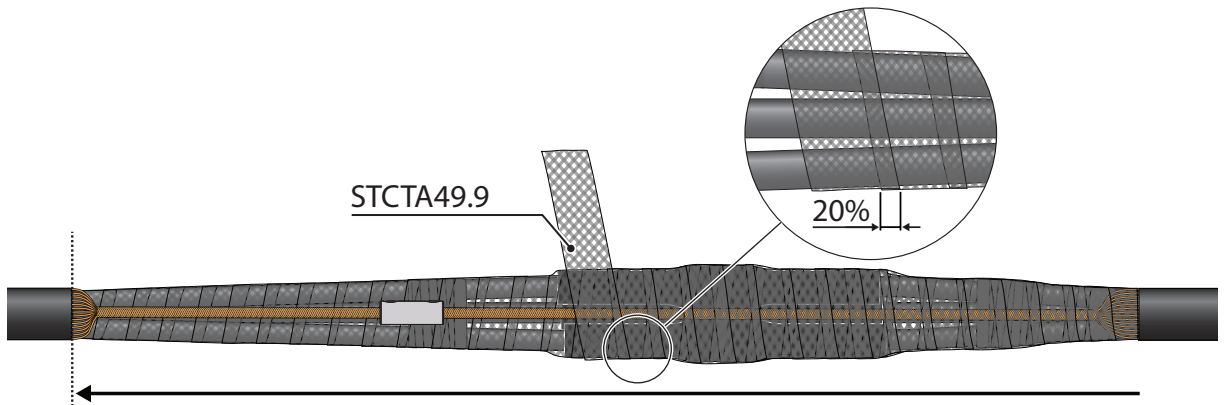
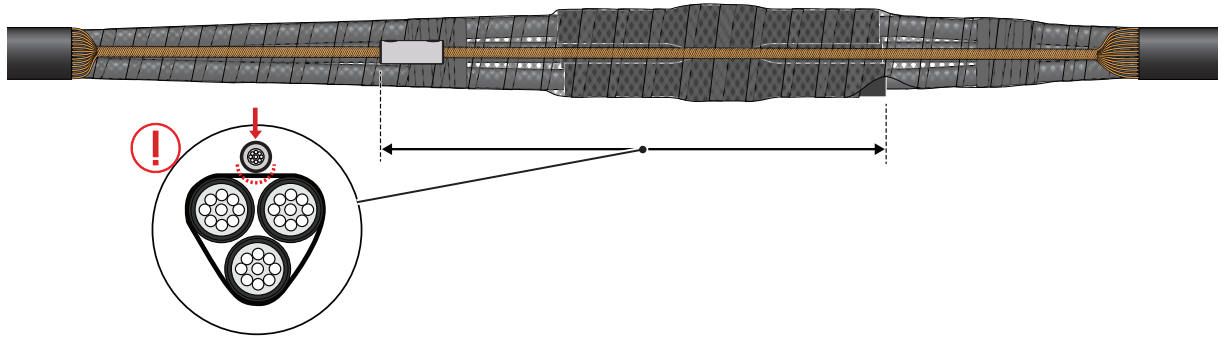


28

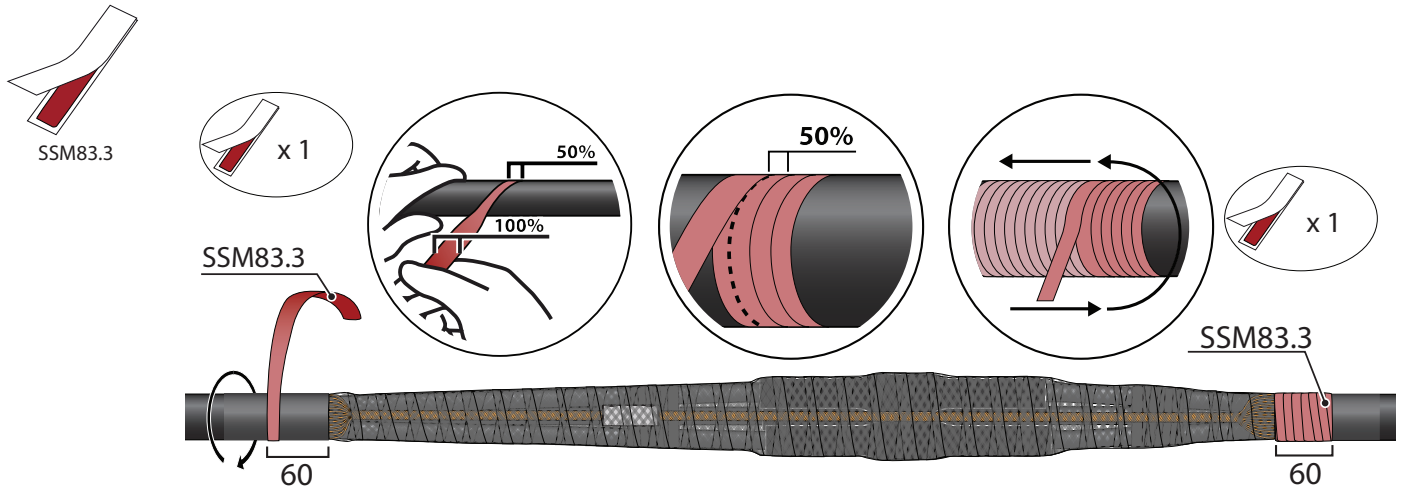


SLJ1.27

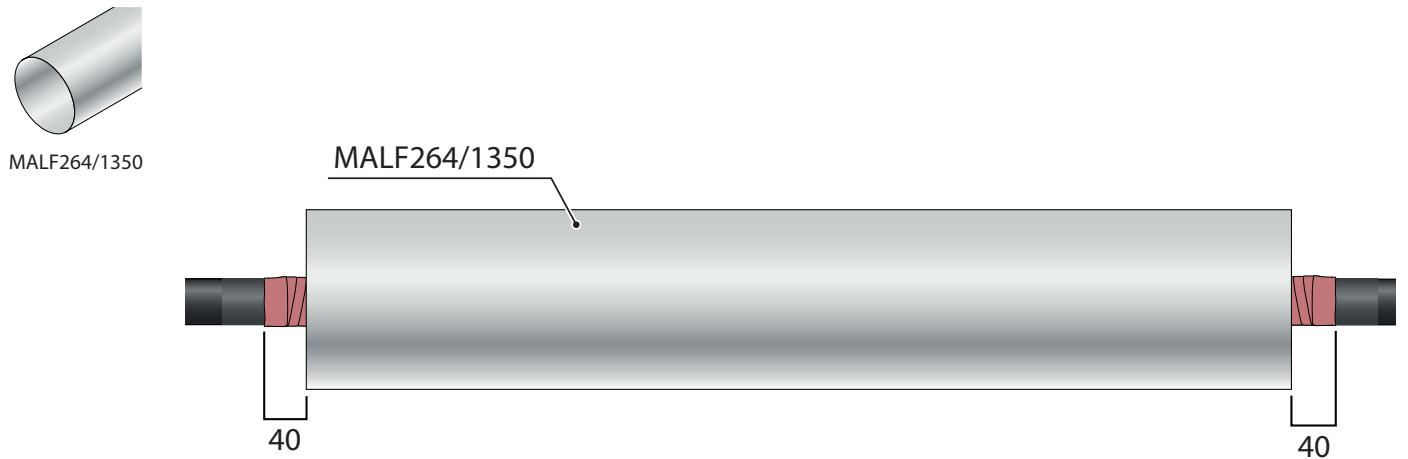




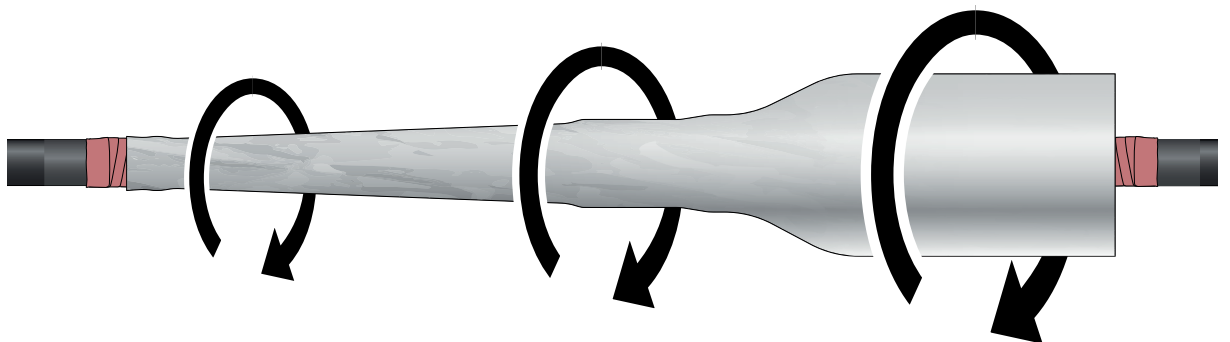
32



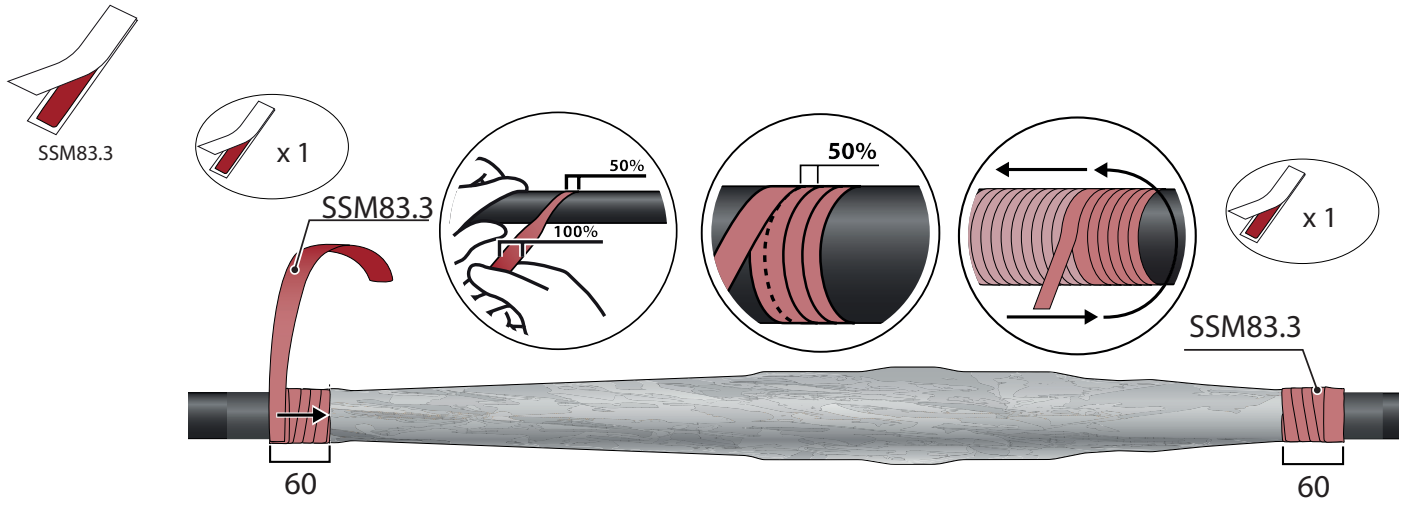
33



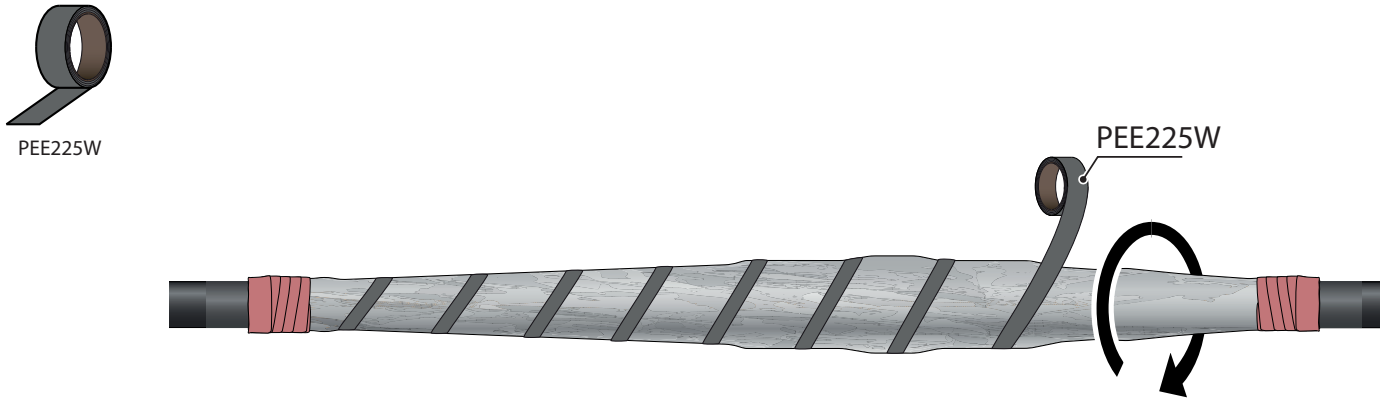
34



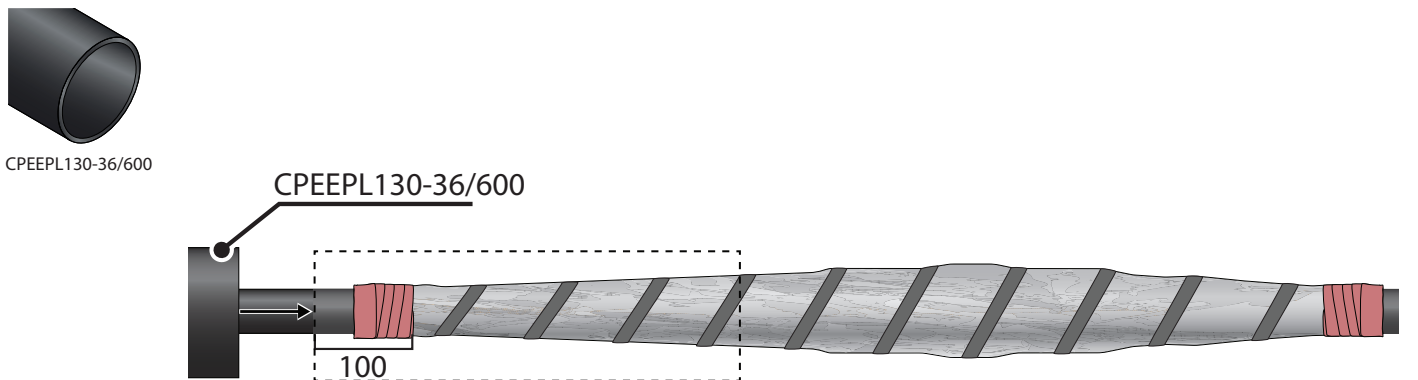
35



36

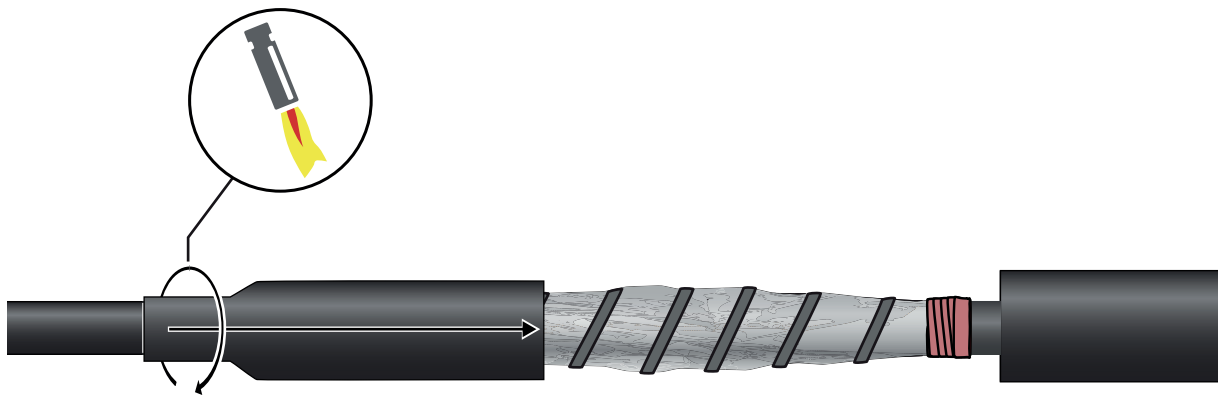


37





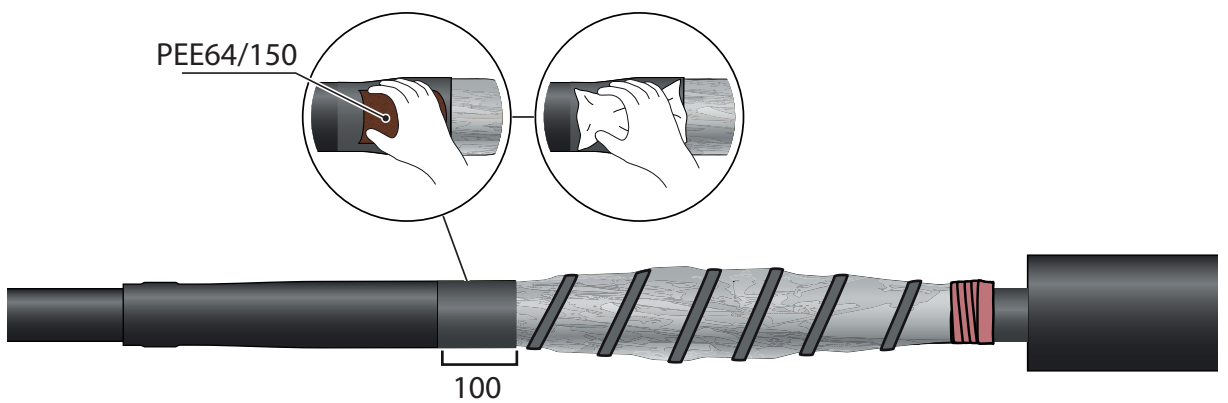
38



39



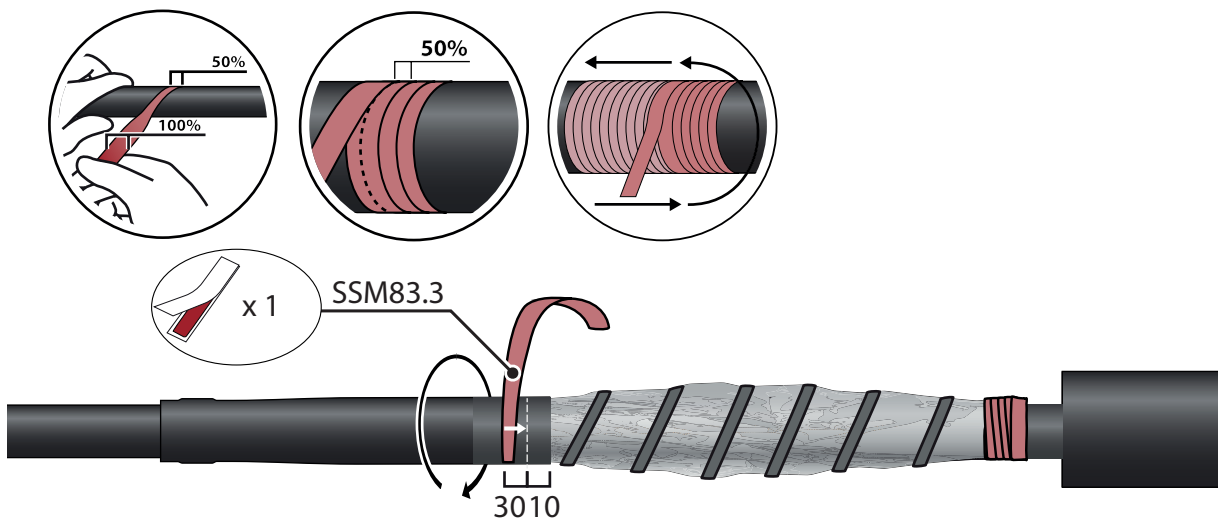
PEE64/150



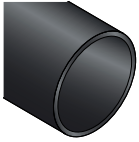
40



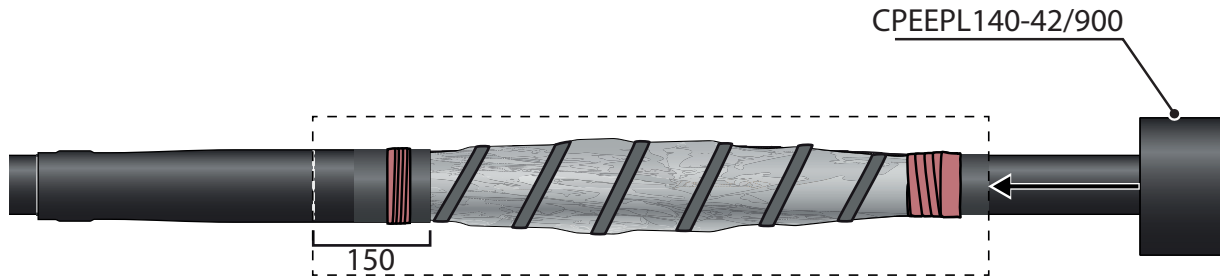
SSM83.3



41



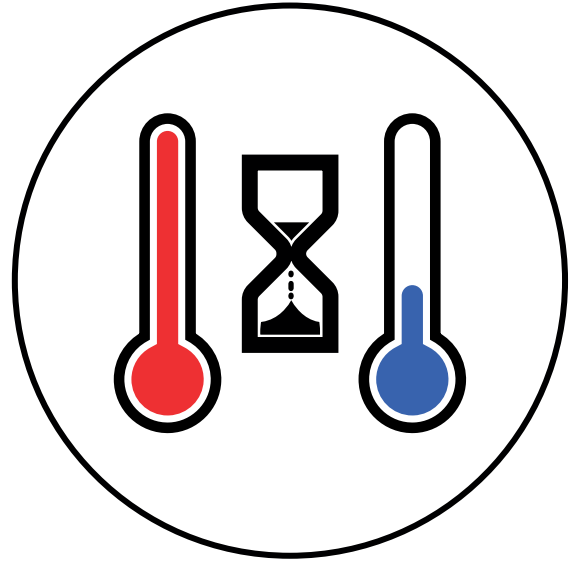
CPEEPL140-42/900



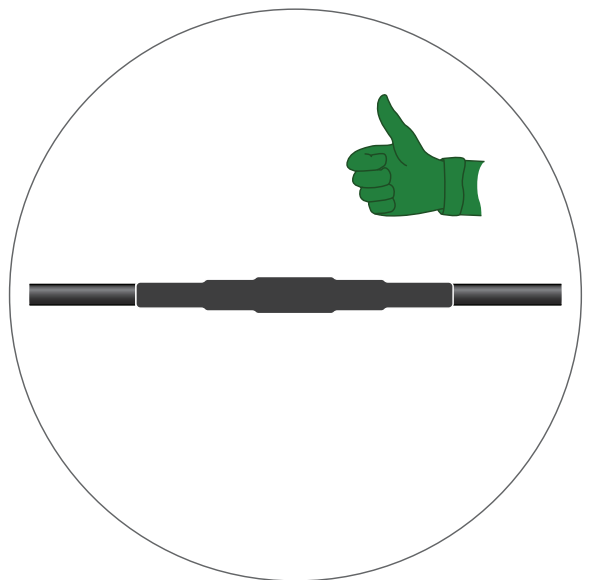
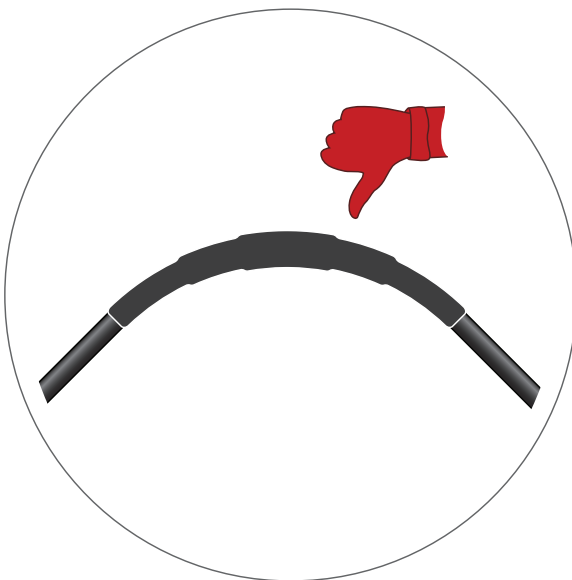
42



43



50



**ENSTO**