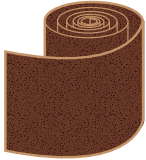

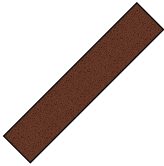

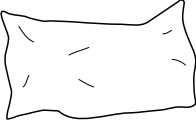







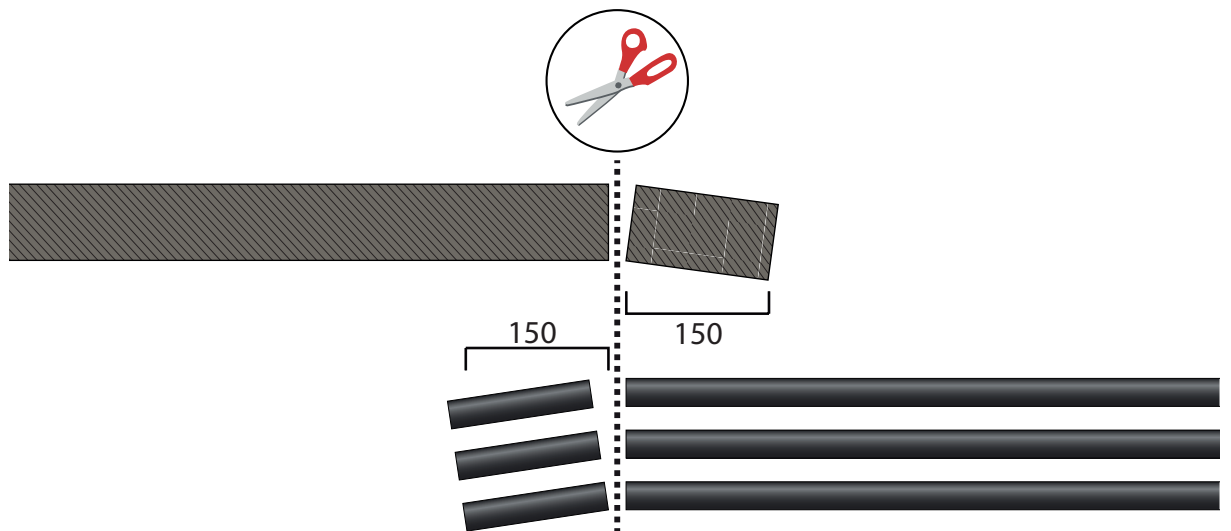
HJT31.1203C

U_0/U_m (kV)	 mm ²	 mm ²
6/10 (12) kV	95-185	95-240

	CPEEPL140-42	600 mm	1		PER14.4		2
	CPEEPL130-36	600 mm	1		PEE232.1000	1000 mm	3
	SIST20	420 mm	3		PEE92.10	1000 mm	1
	SSET16	190 mm	3		SF4		3
	SSCJ17	380 mm	3		SF5		2
	STT38	350 mm	3		SSITA42.500	500 mm	5
	SBO3.6		1		SSCTA85.10	1000 mm	4
	SSBO10		1		SSCTA85.2	200 mm	1
	CA240SB4		3		SSCTA85.1	100 mm	14
	STCTA49.05	500 mm	2		PA22.500	500 mm	9
	STCTA49.11	11000 mm	1		SBC1.5	5000 mm	1

	PEE64.1/600	600 mm	3		MPA21	2
	PEE64/350	350 mm	2		PEE39/1500	2
	PA23		3		PEE225W	1
	CT149		9		PEM-HJT31_1203C_W PEM-HJT31_1203C	1 1

1



2



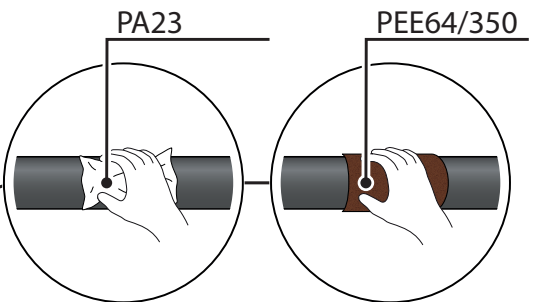
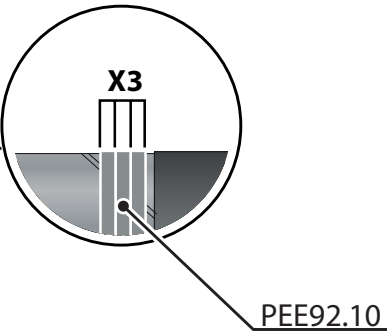
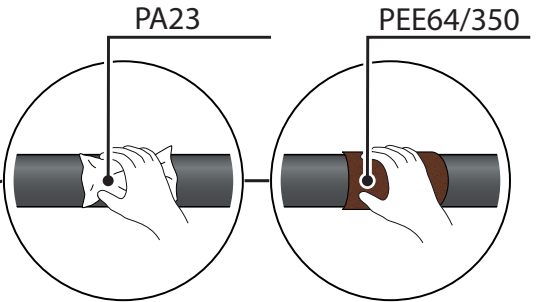
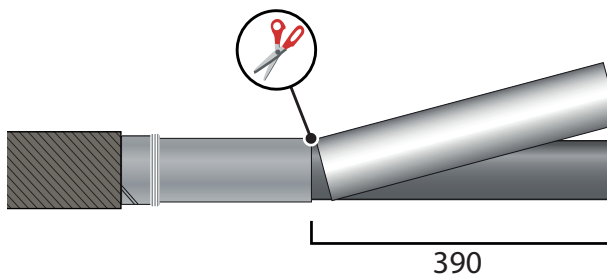
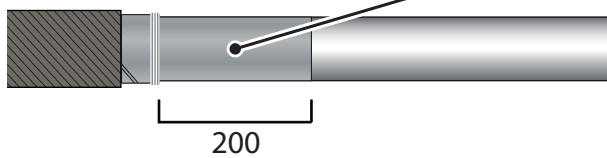
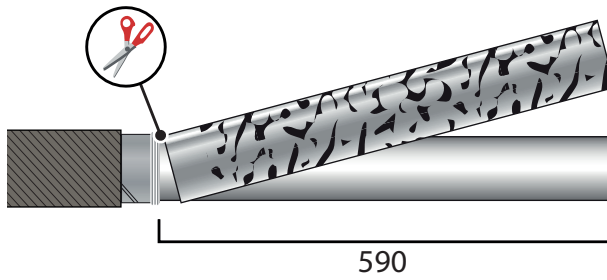
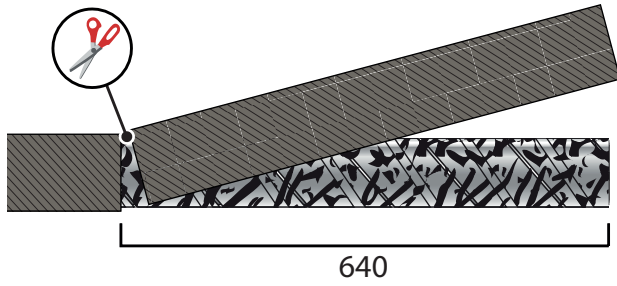
PA23



PEE64/350



PEE92.10



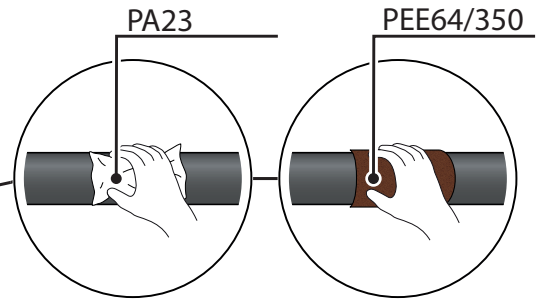
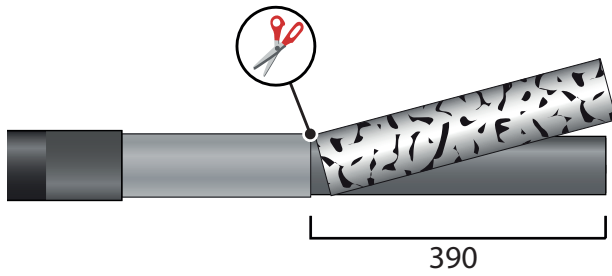
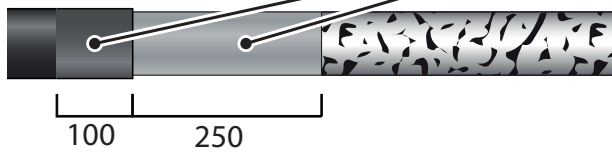
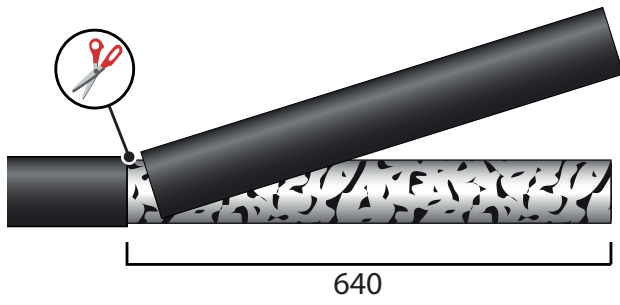
3



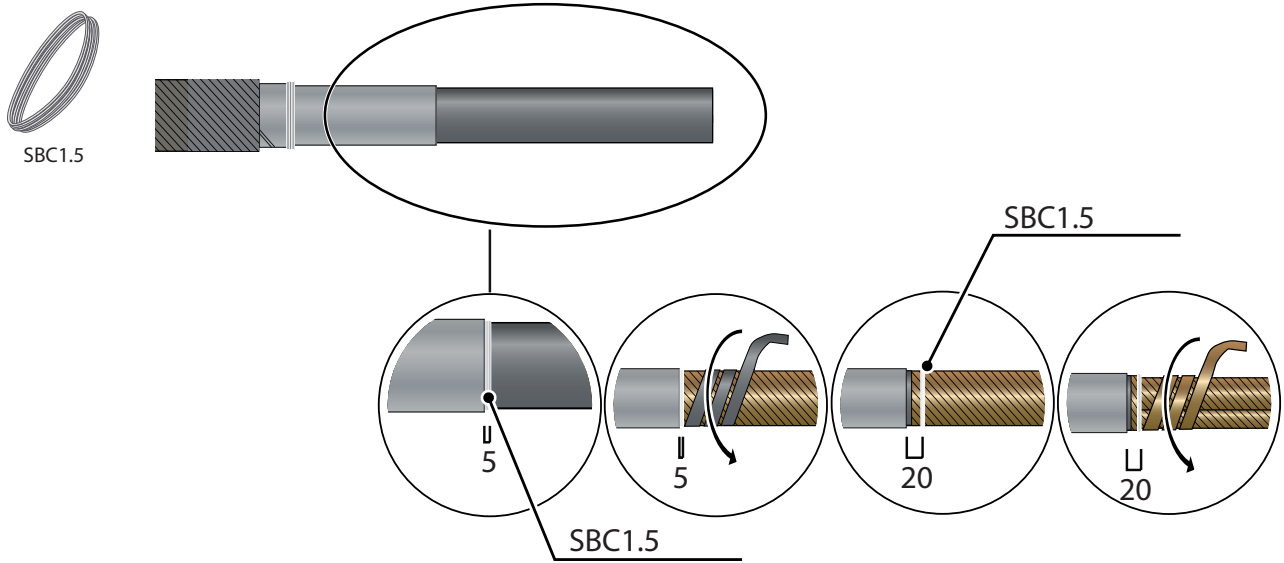
PA23



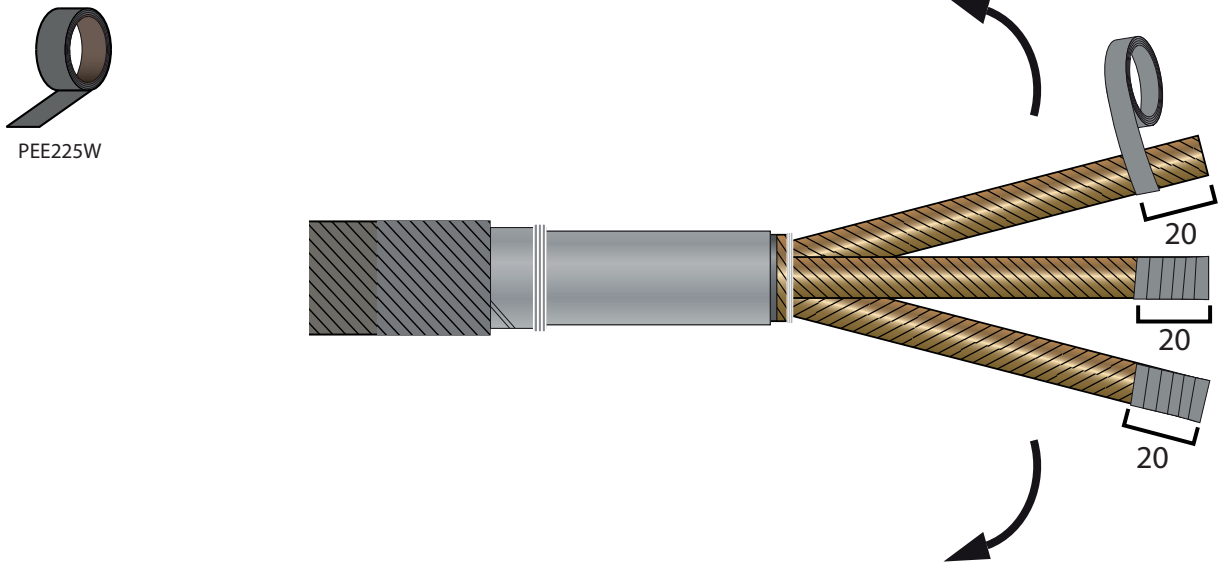
PEE64/350



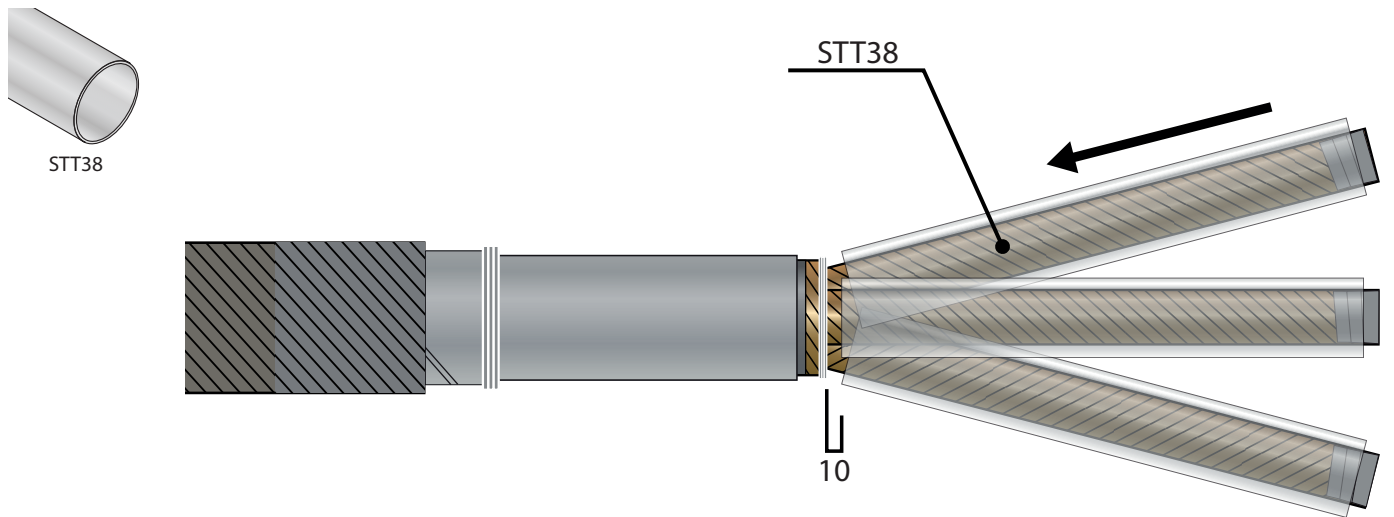
4



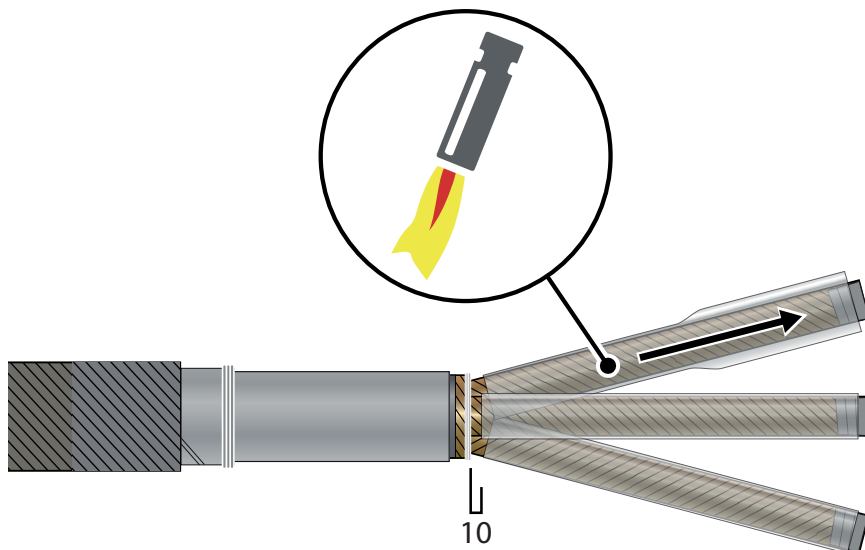
5



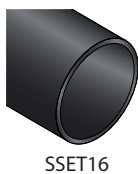
6



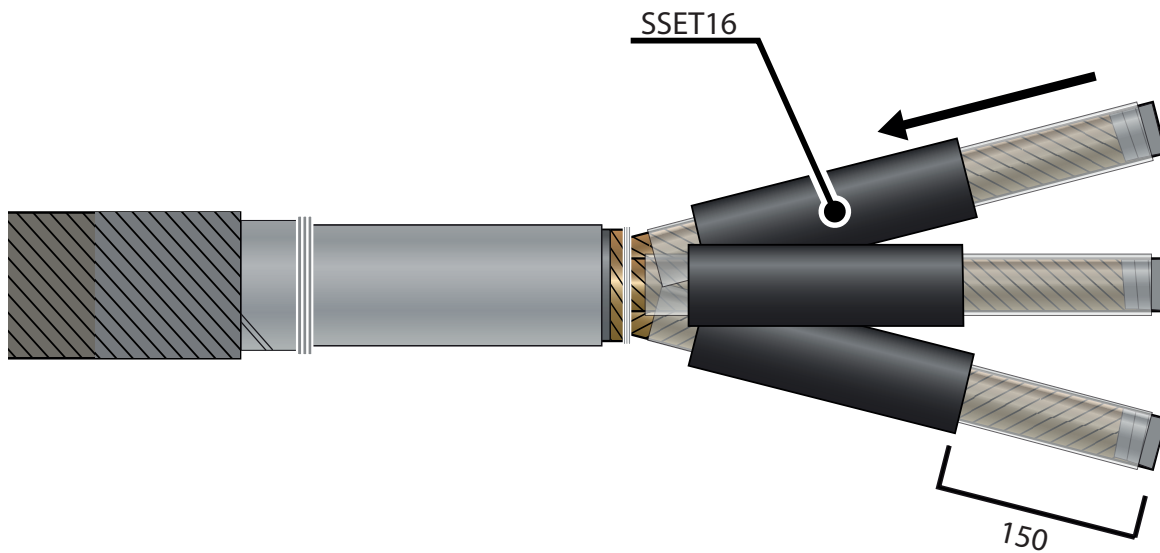
7



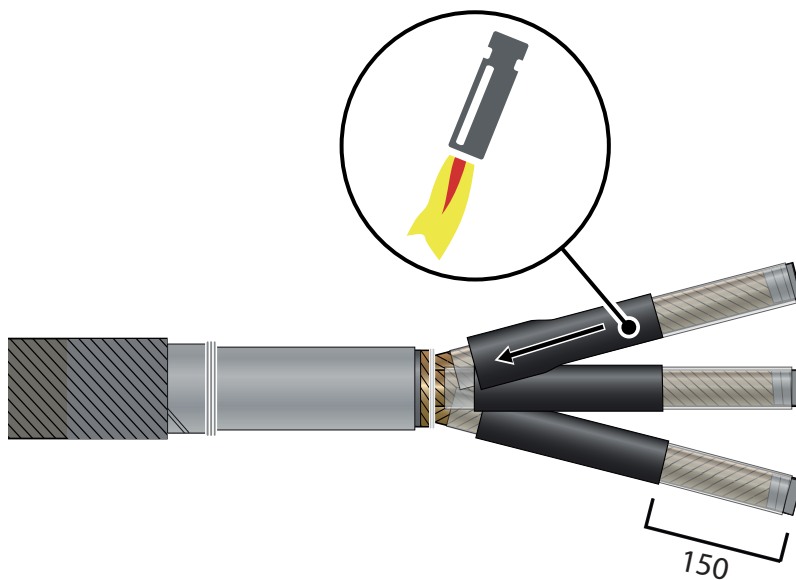
8



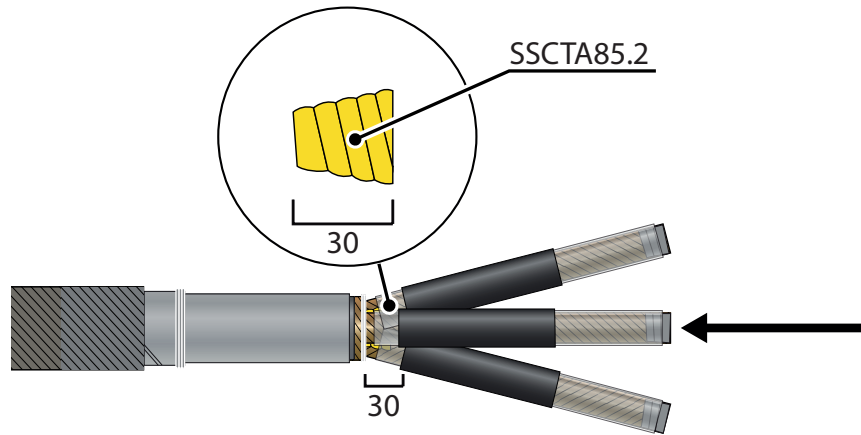
SSET16



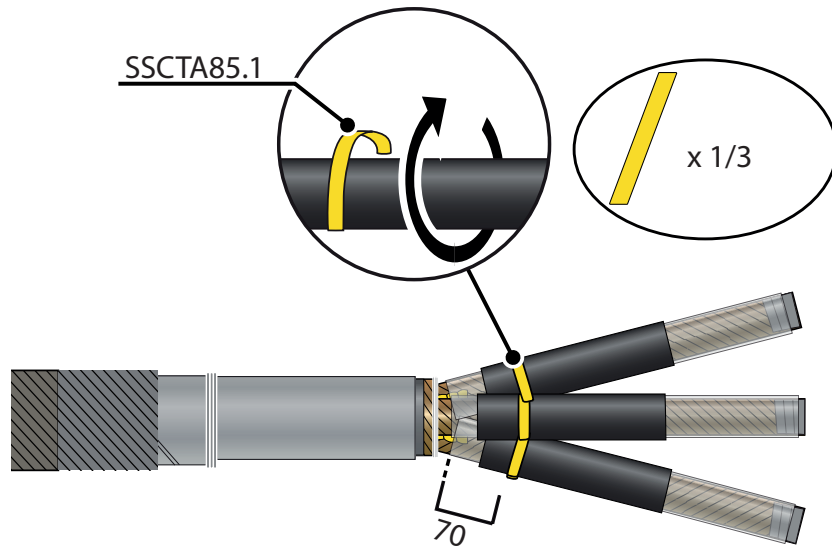
9



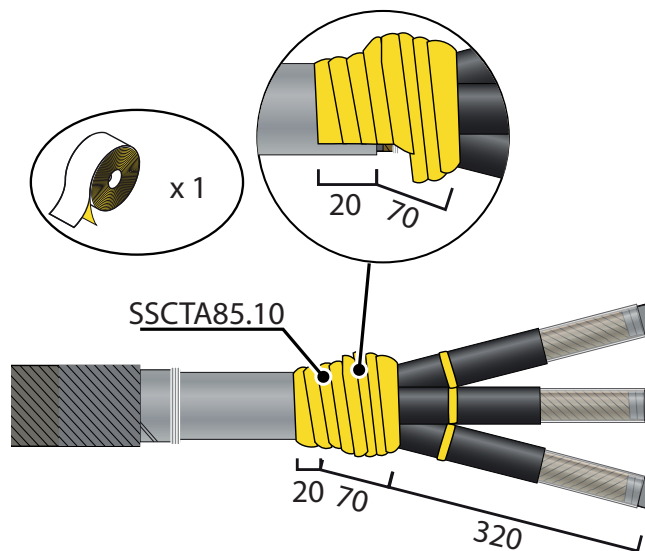
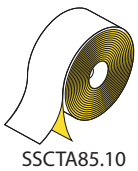
10



11



12



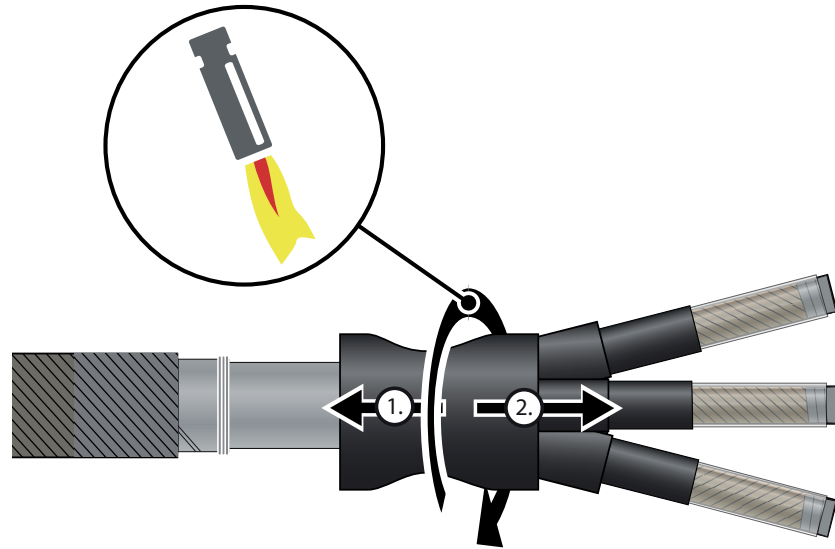
13



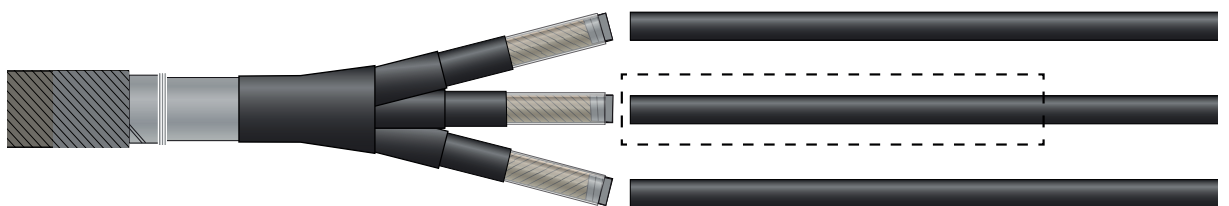
SSBO10



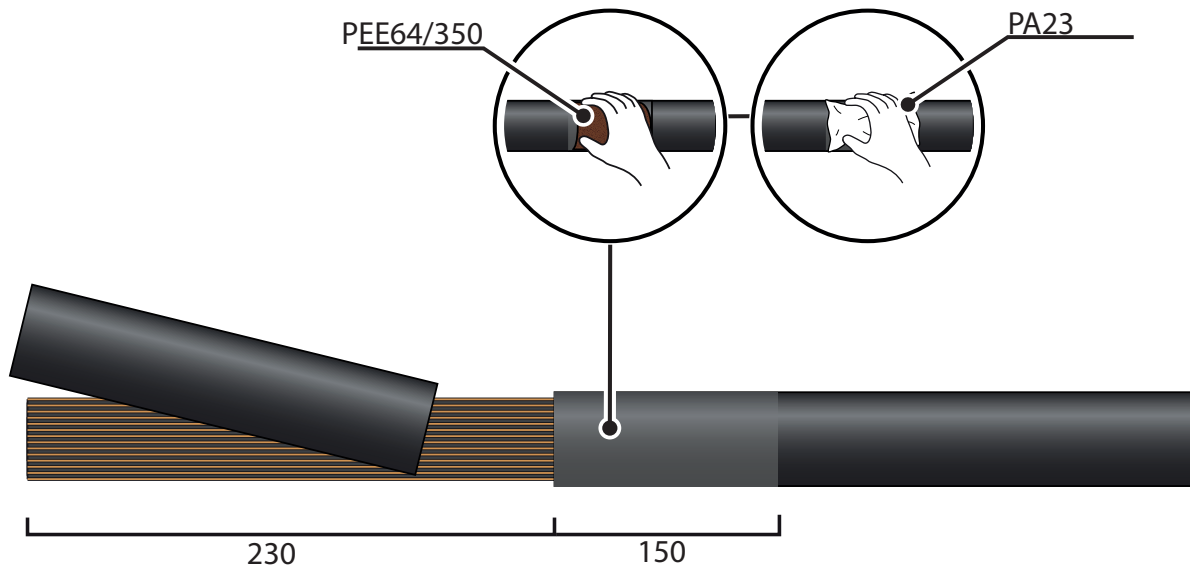
14



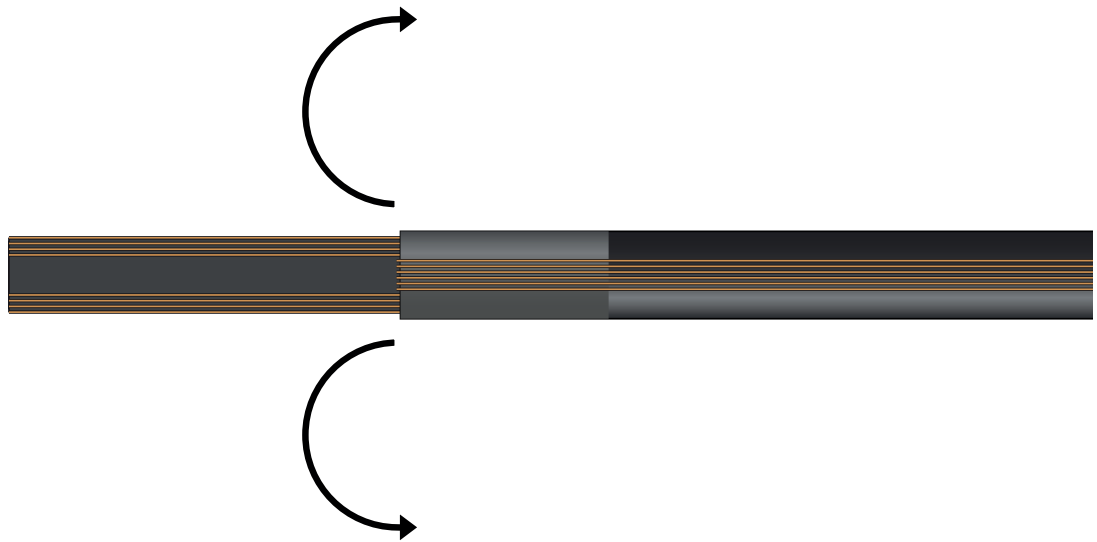
15



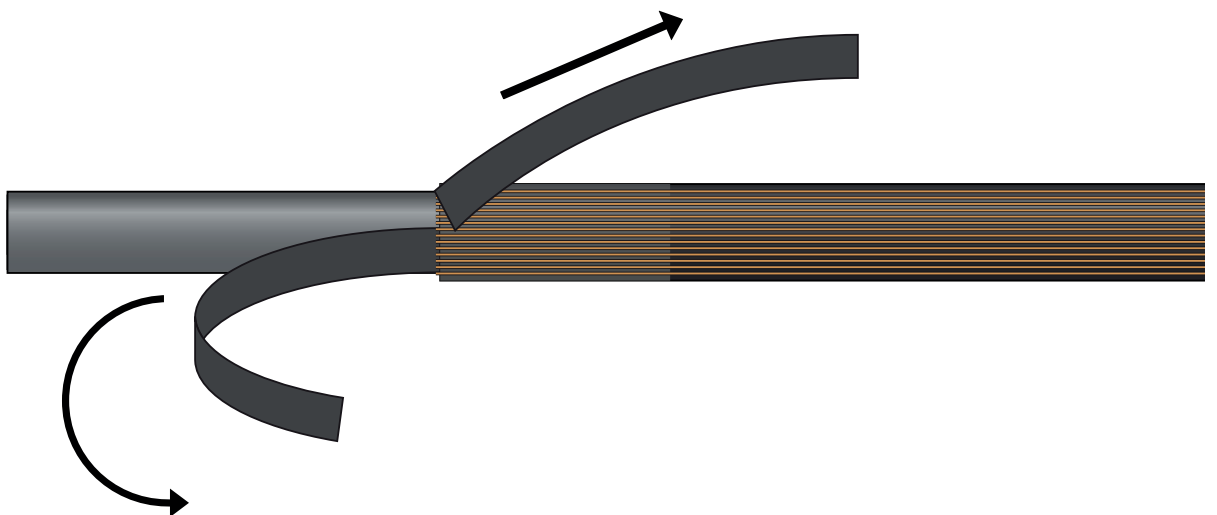
16

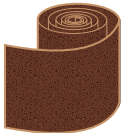
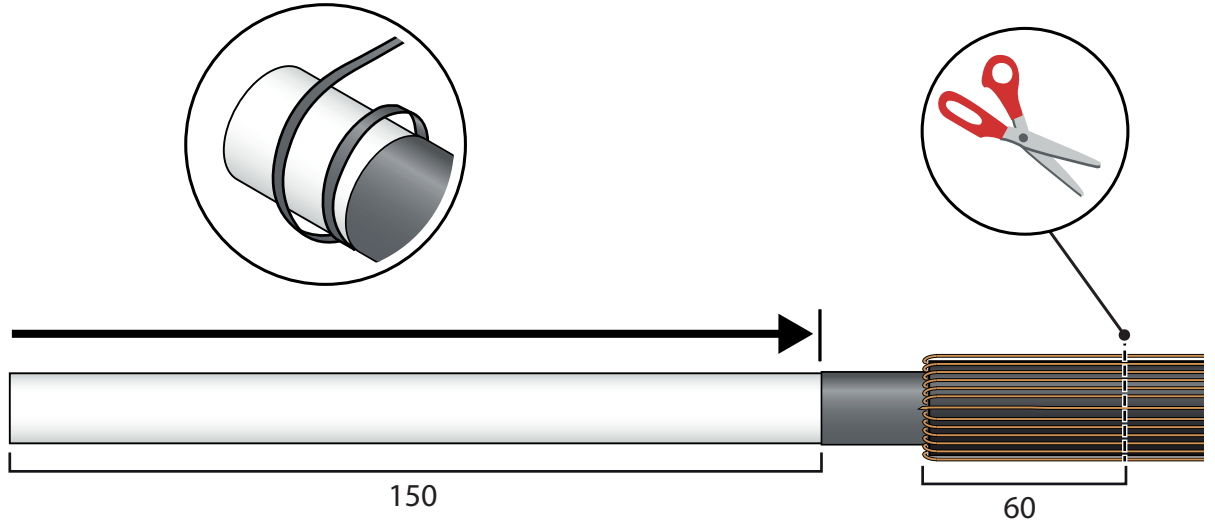


17



18

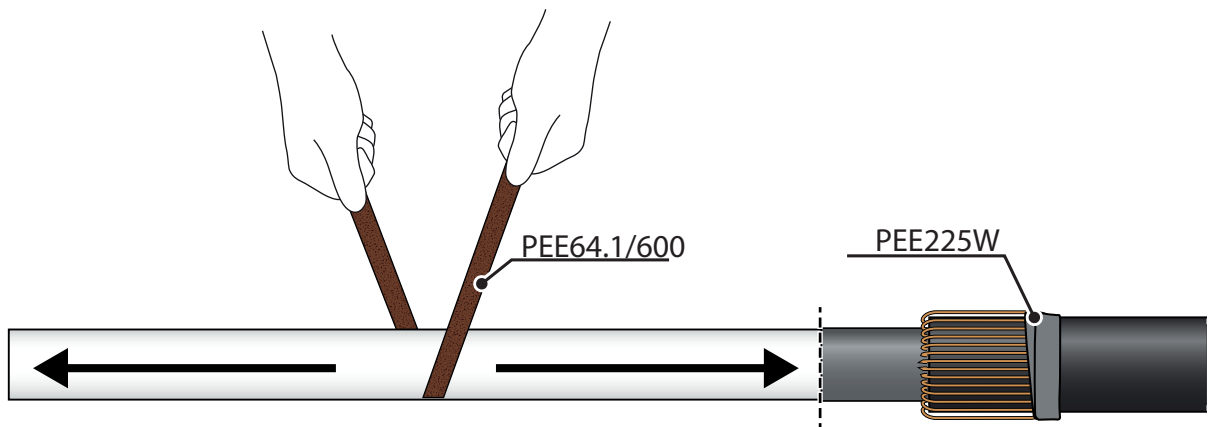




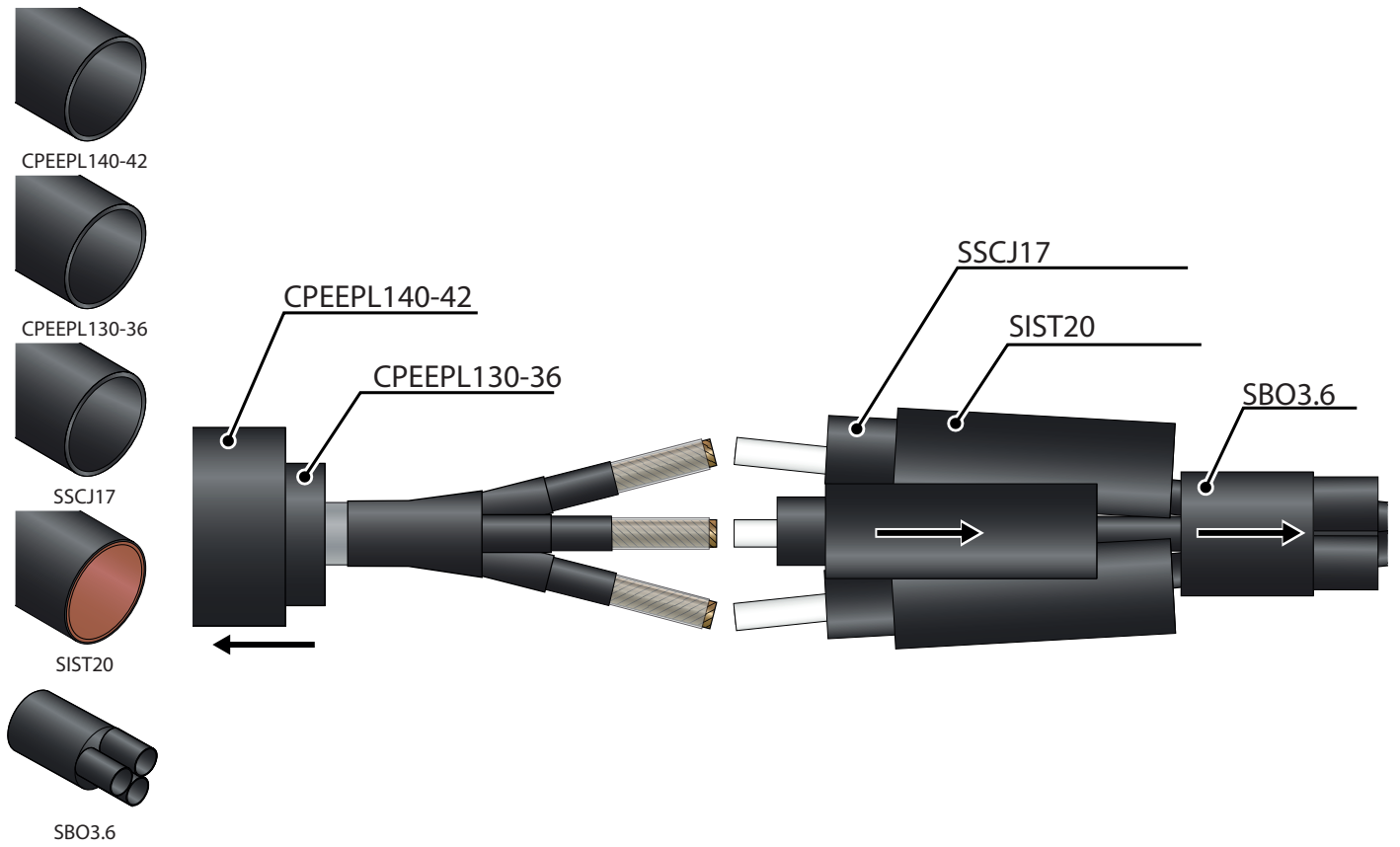
PEE64.1/600



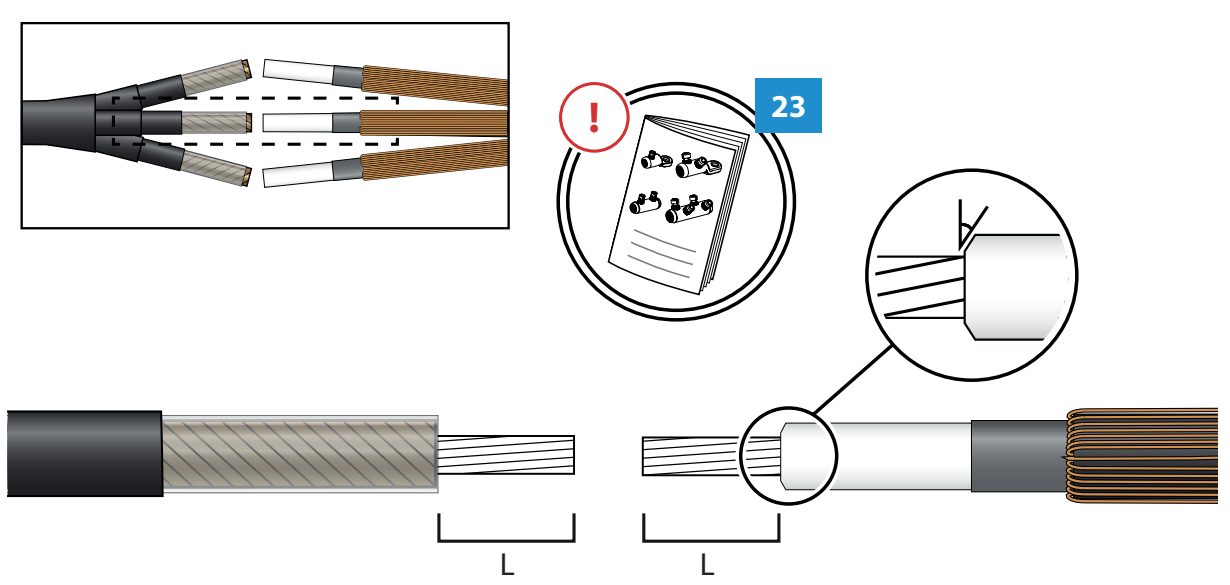
PEE225W



21

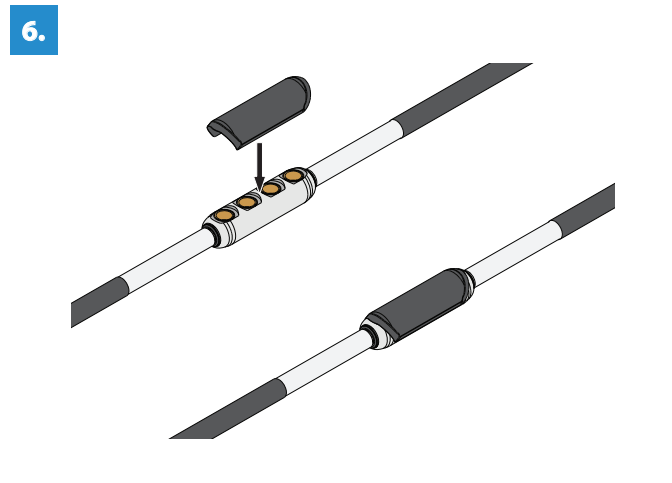
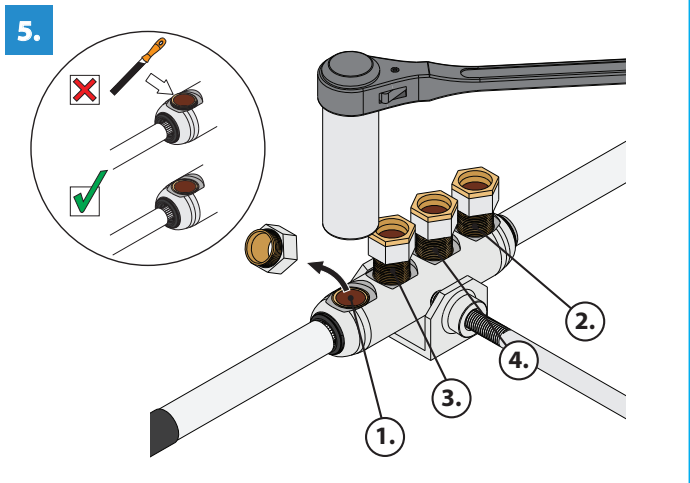
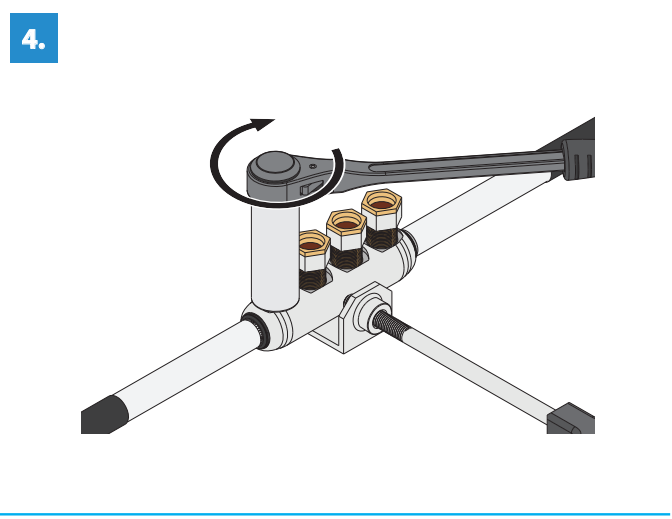
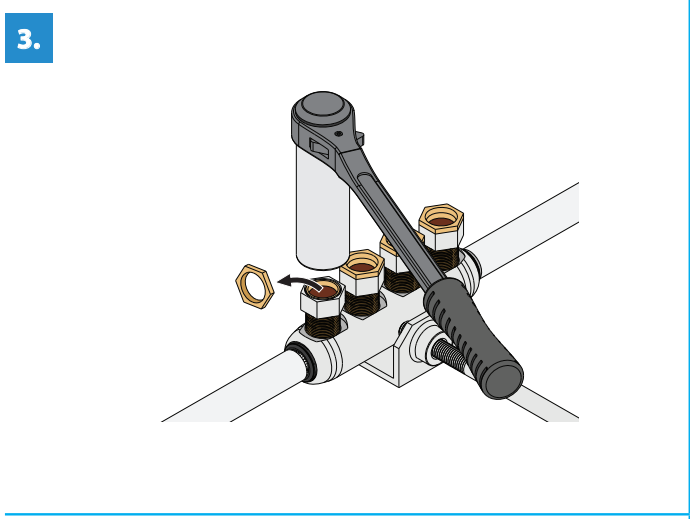
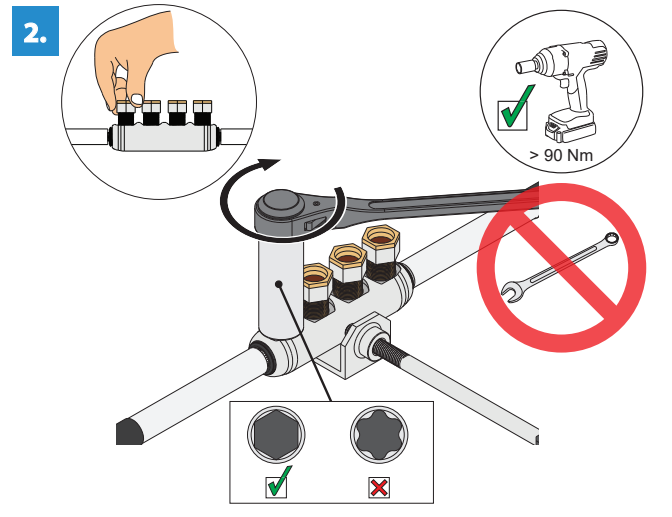
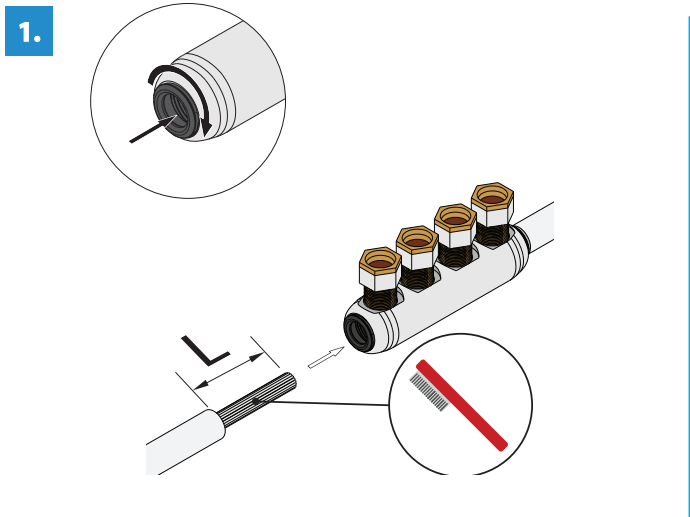


22





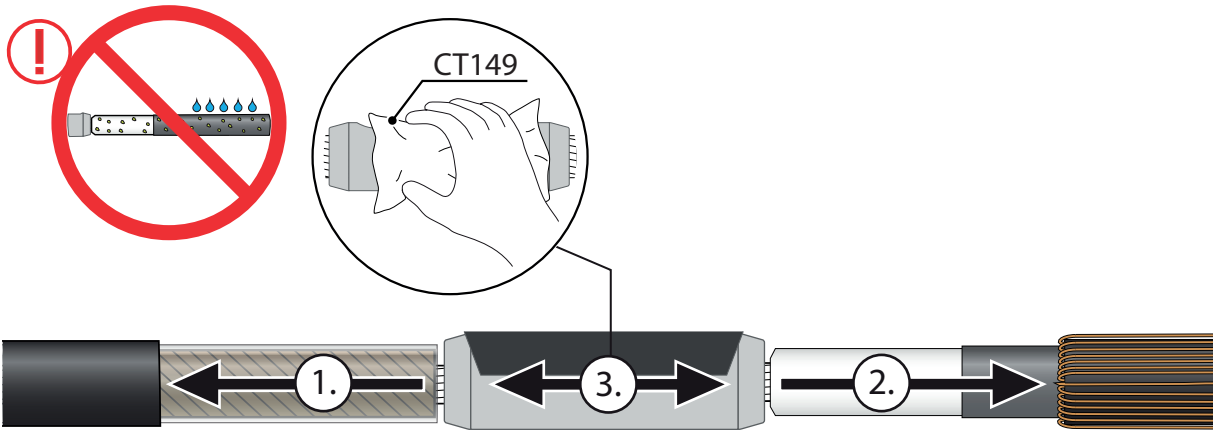
	mm	mm ²	mm ²	mm ²	mm	mm ²		mm
CA240SB4	7.7-19.2	50-240	90° 50-150 120° 50-120	90° 50-185 120° 50-150	60	50-95	120-150	d=21 / L=>26



24



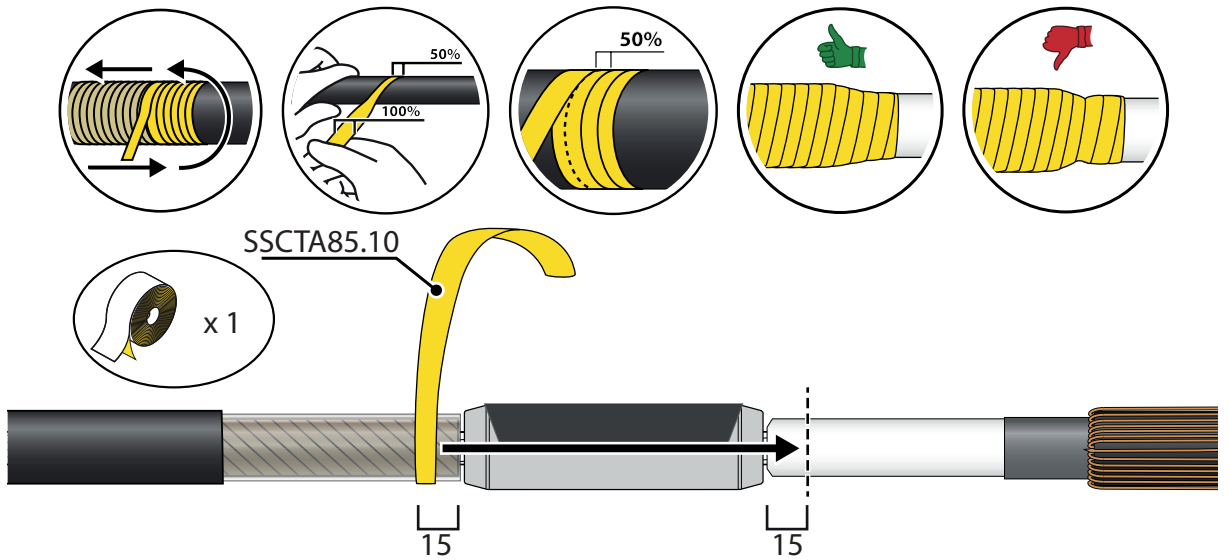
CT149



25



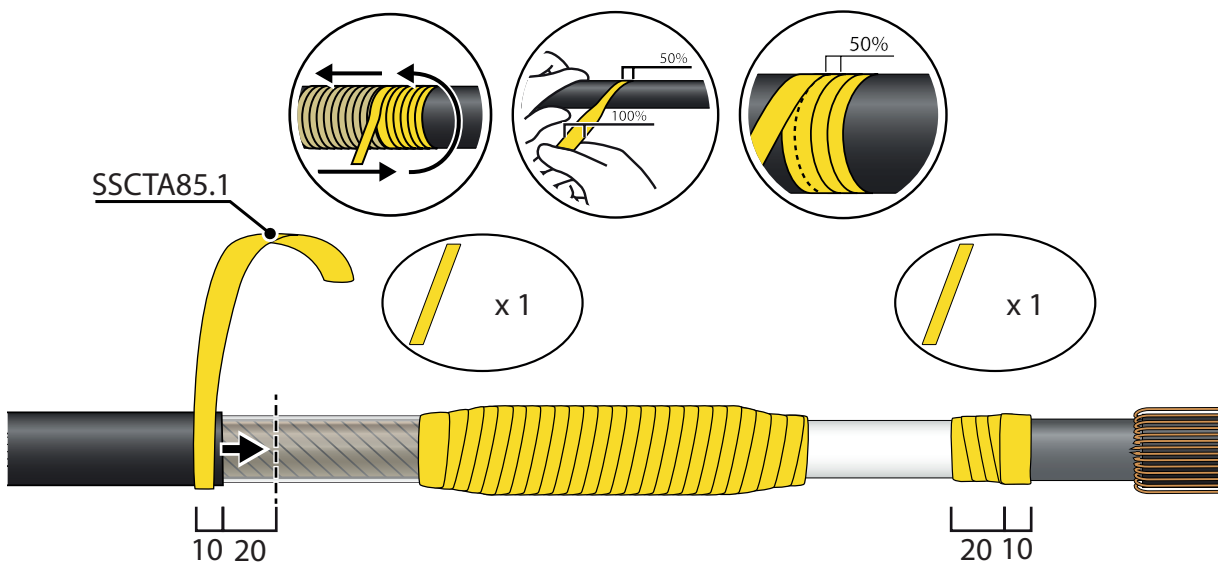
SSCTA85.10



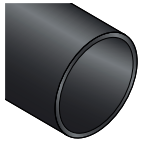
26



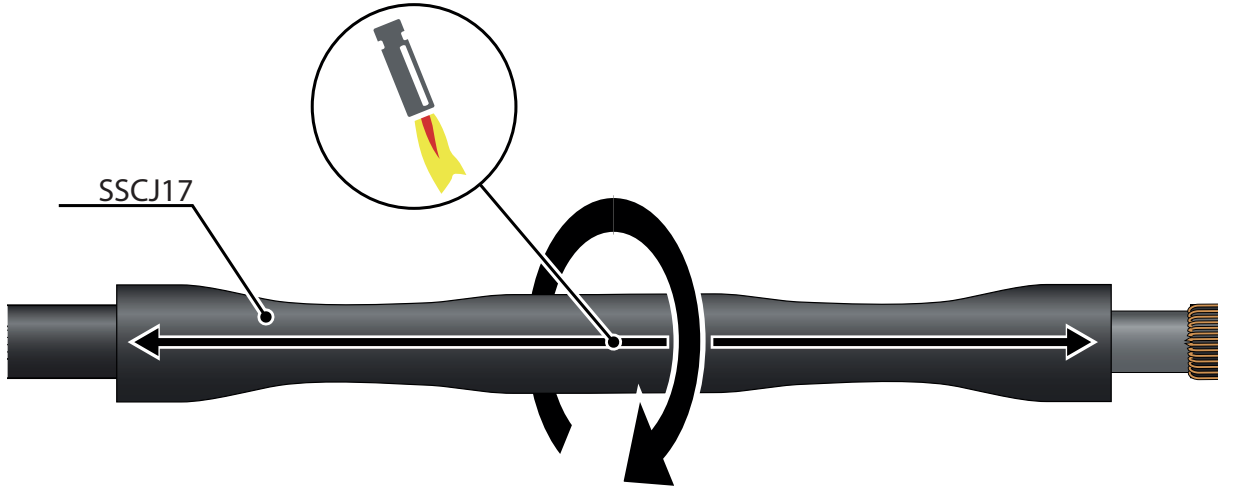
SSCTA85.1



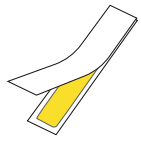
27



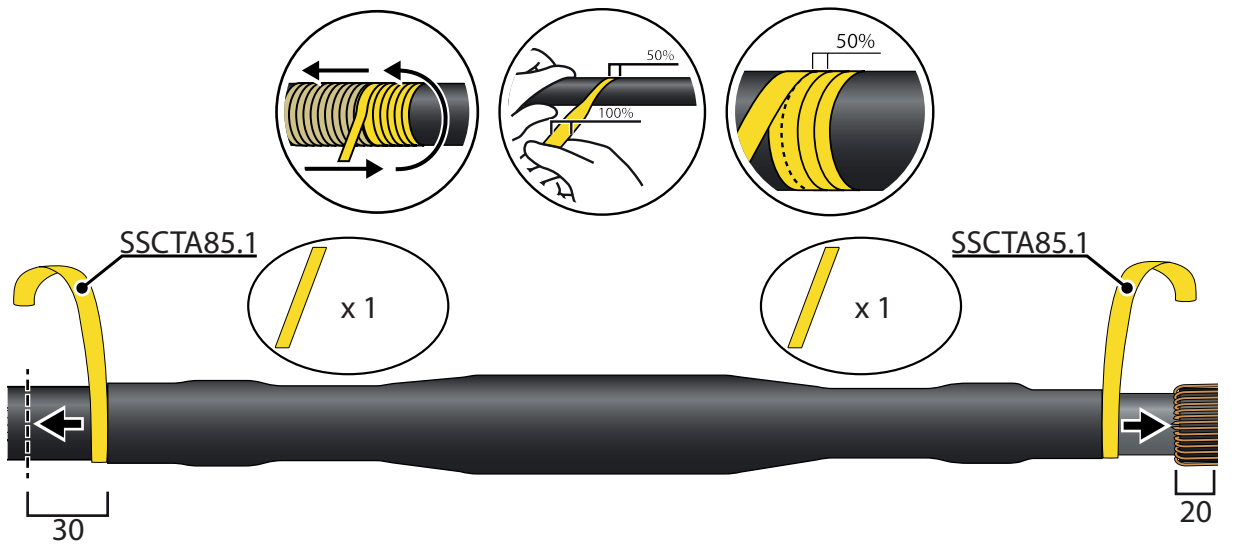
SSCJ17



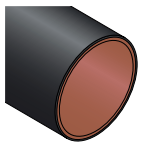
28



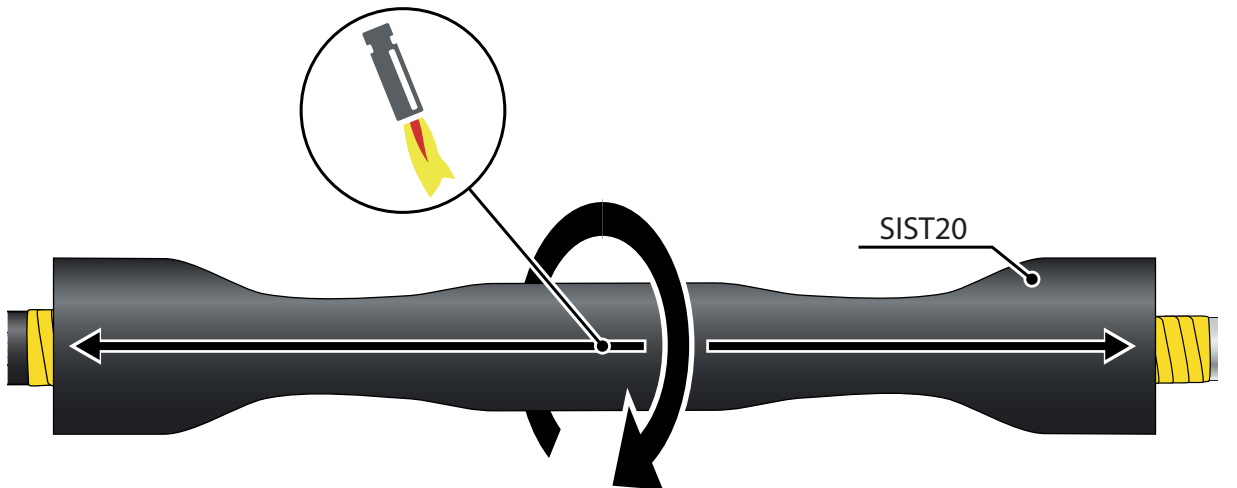
SSCTA85.1



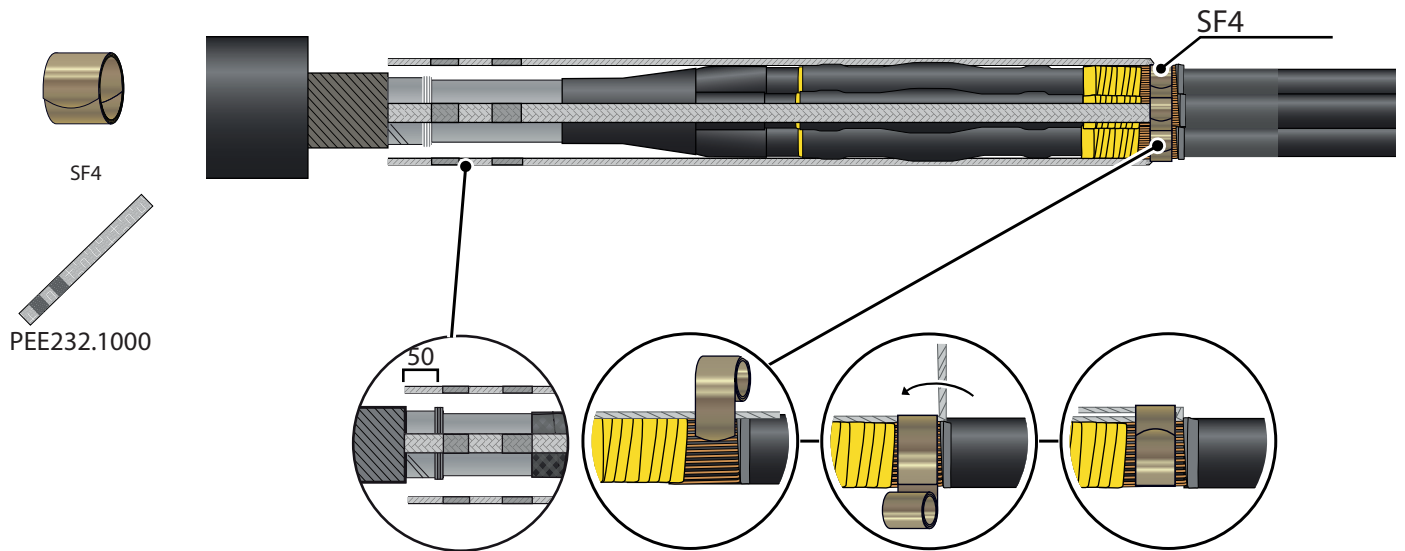
29



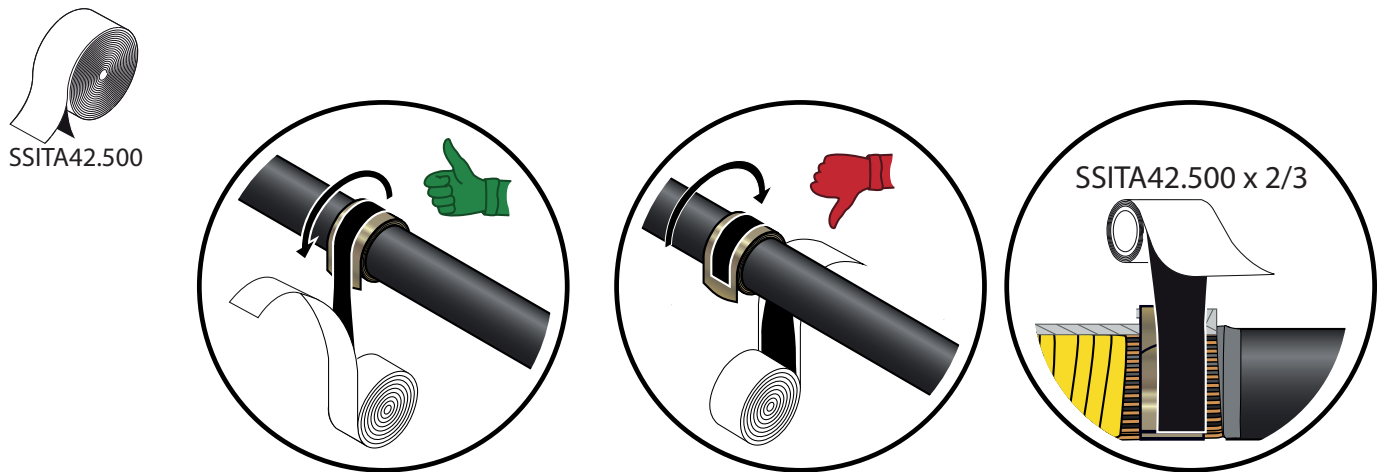
SIST20



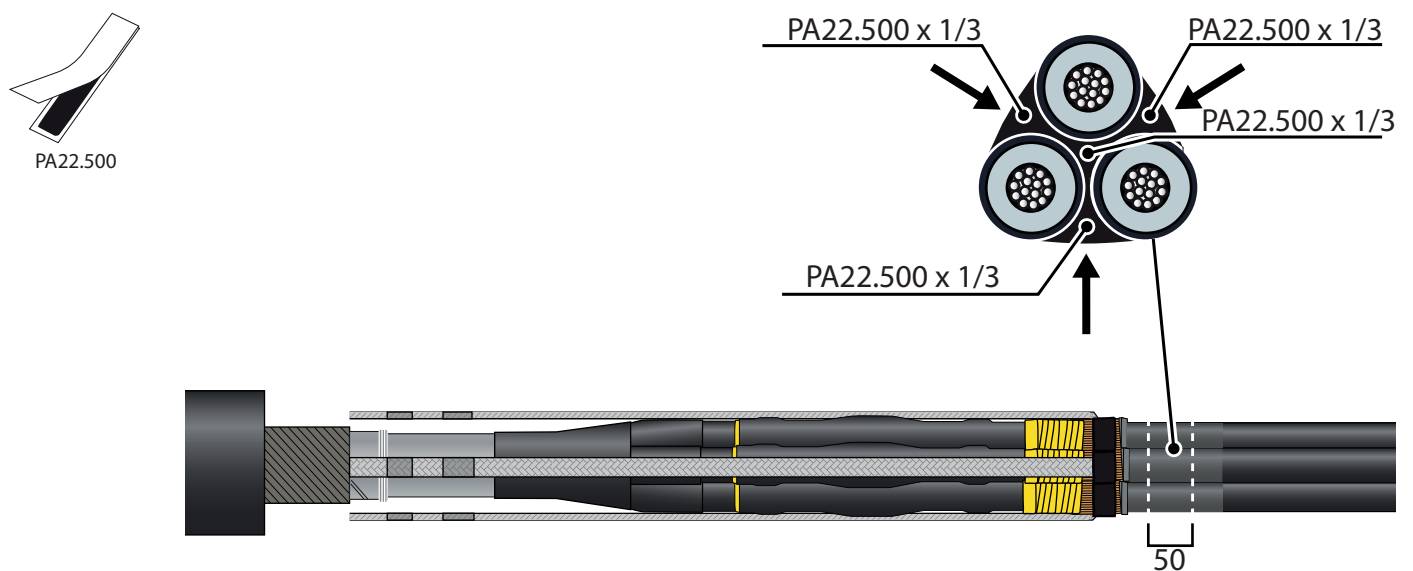
30



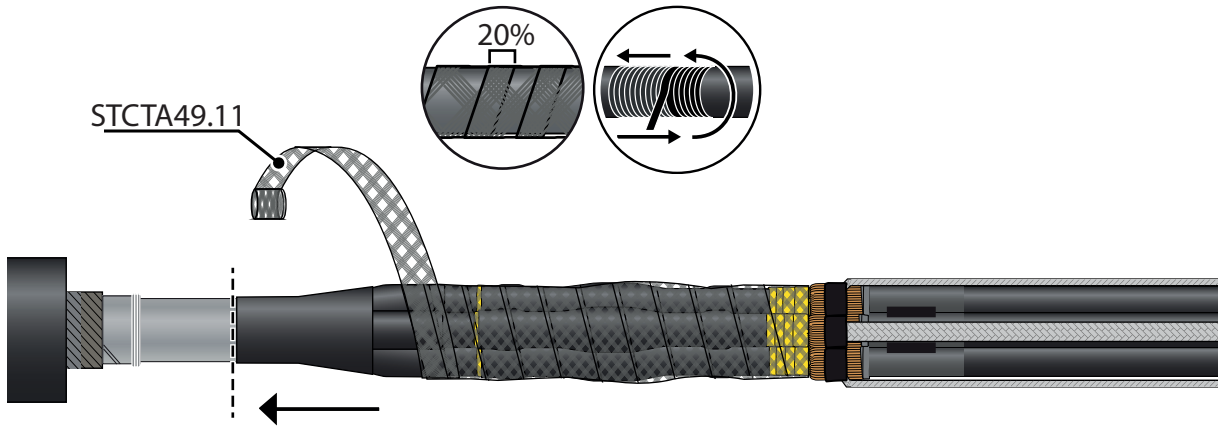
31



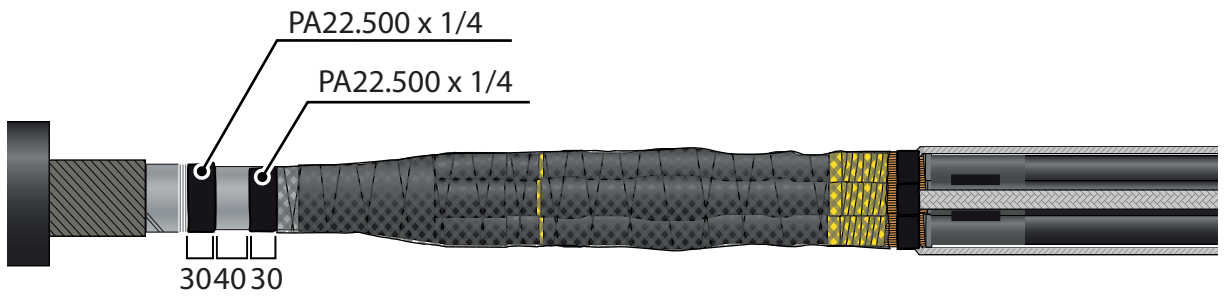
32



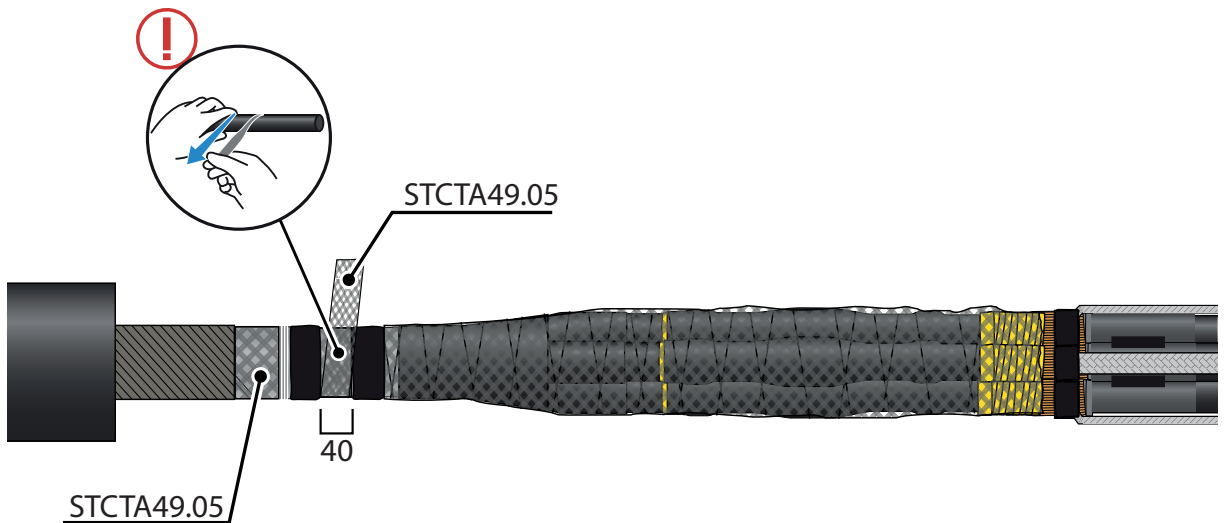
33



34



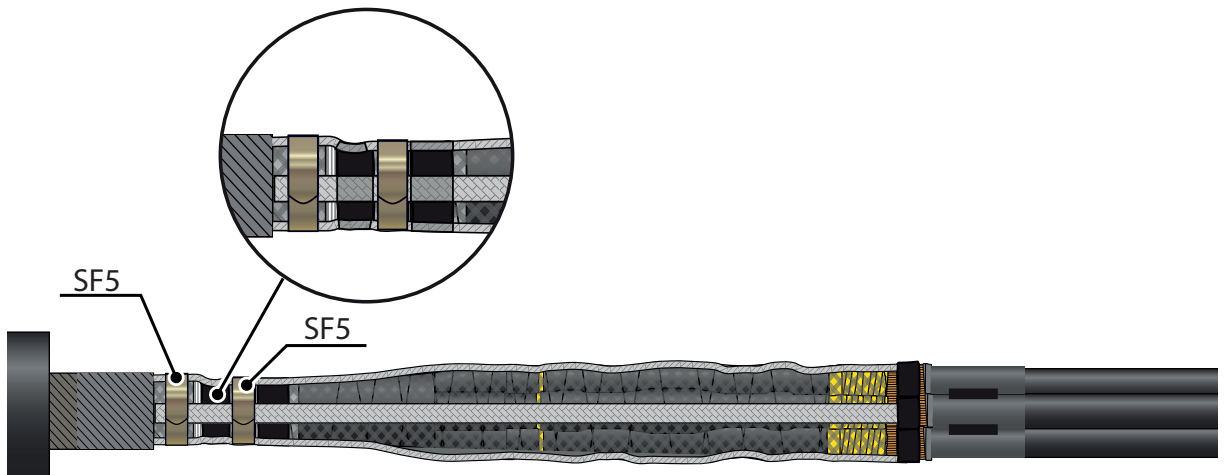
35



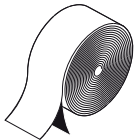
36



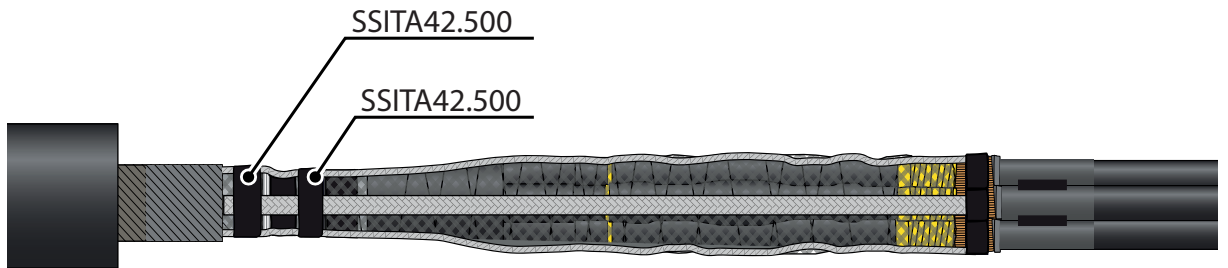
SF5



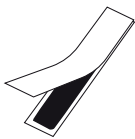
37



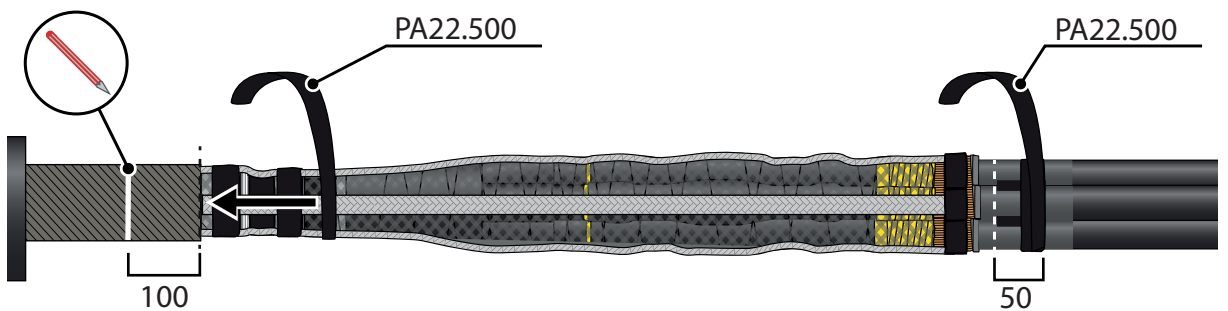
SSITA42.500

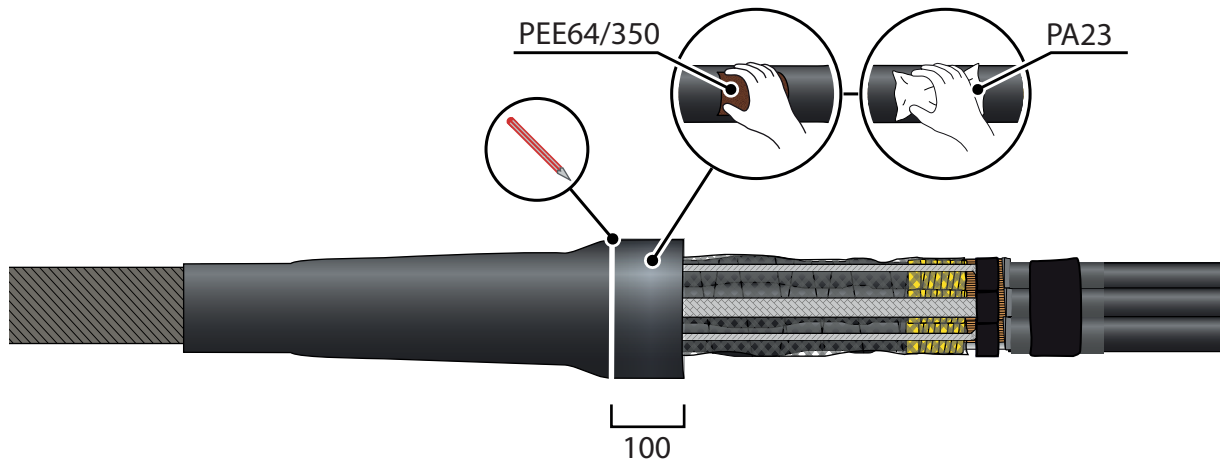
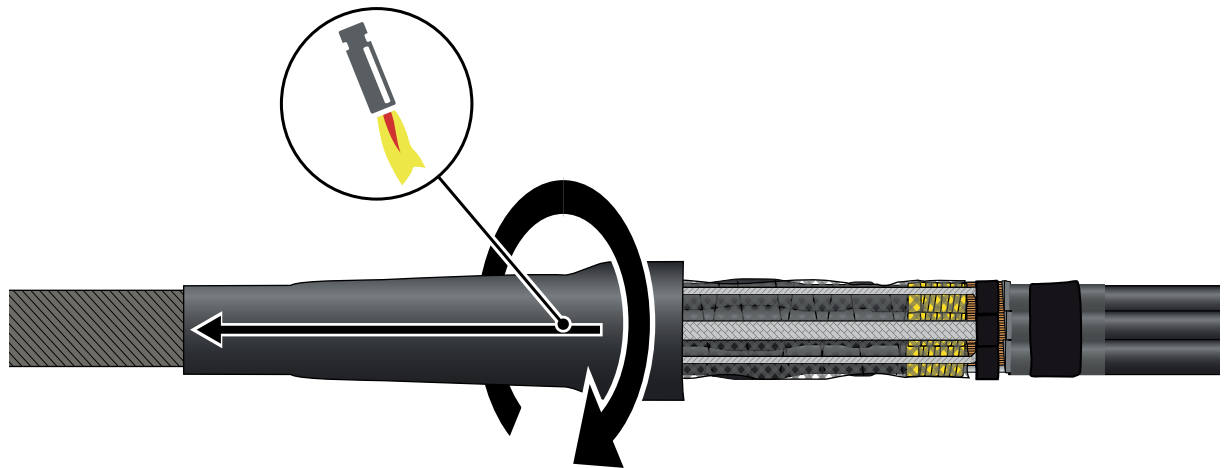
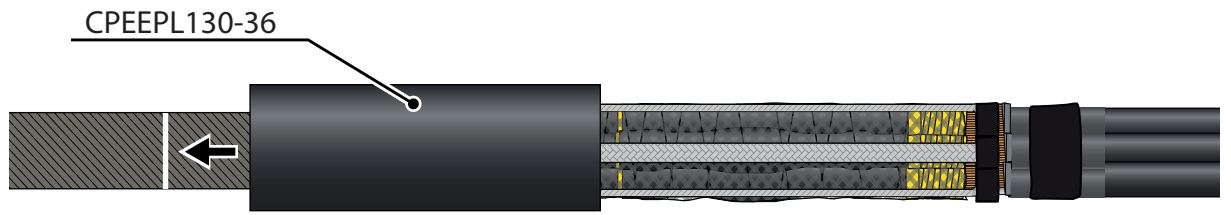


38

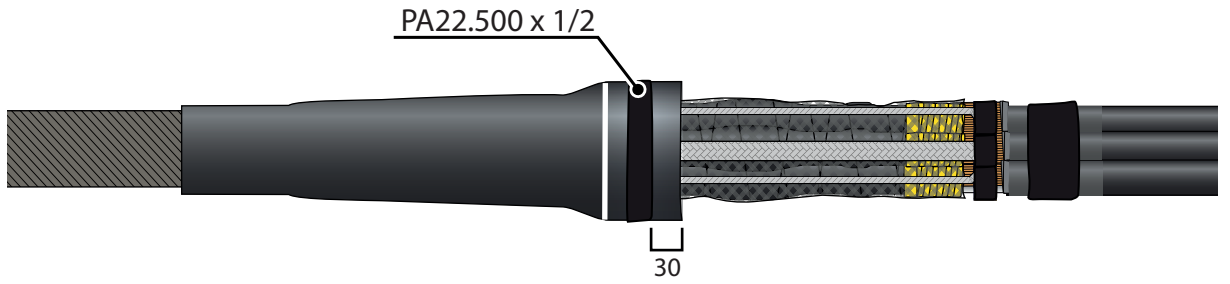


PA22.500

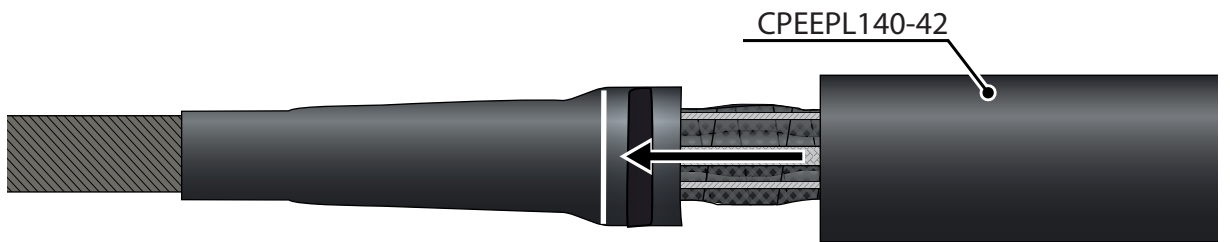




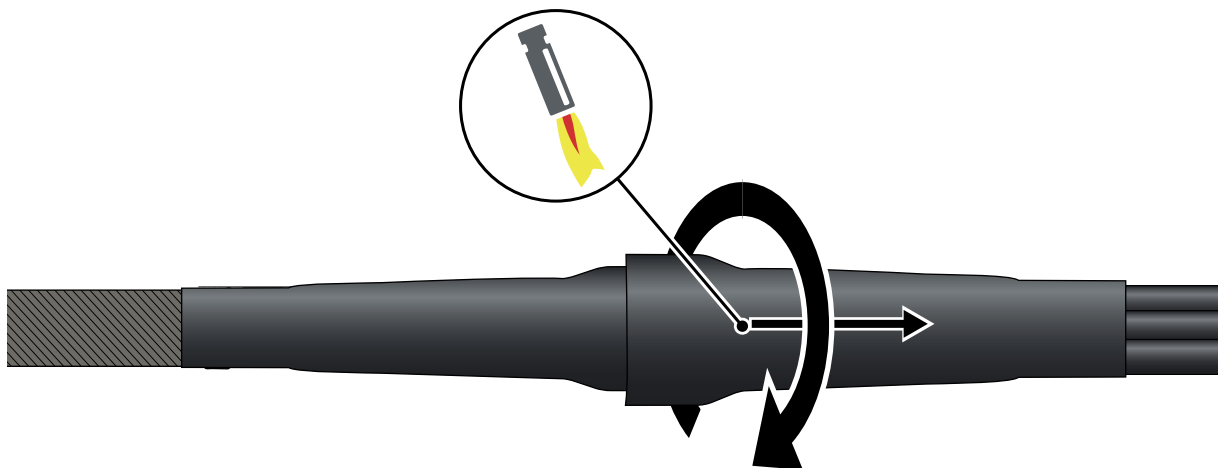
42



43



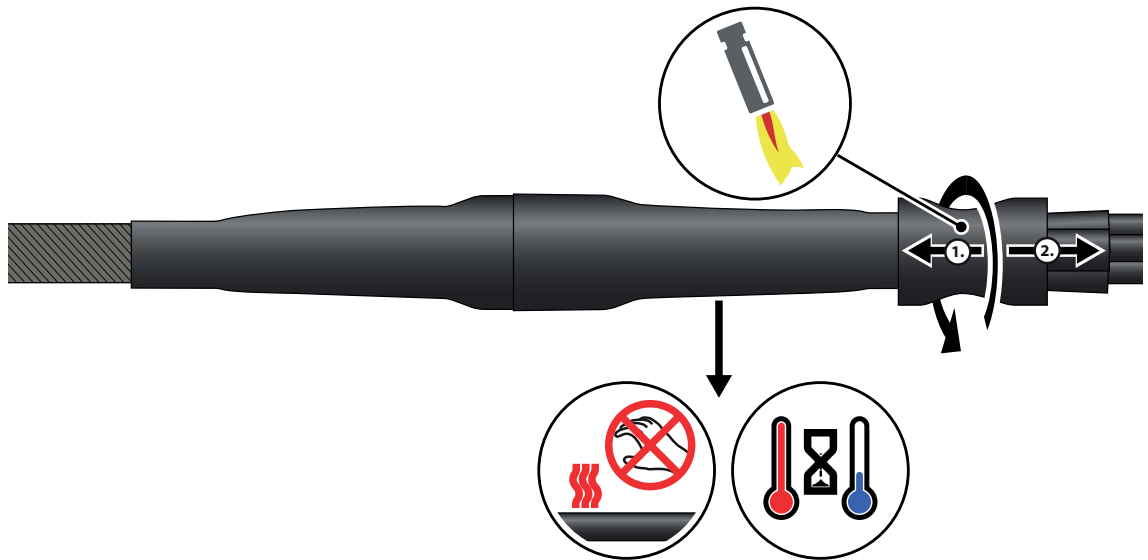
44



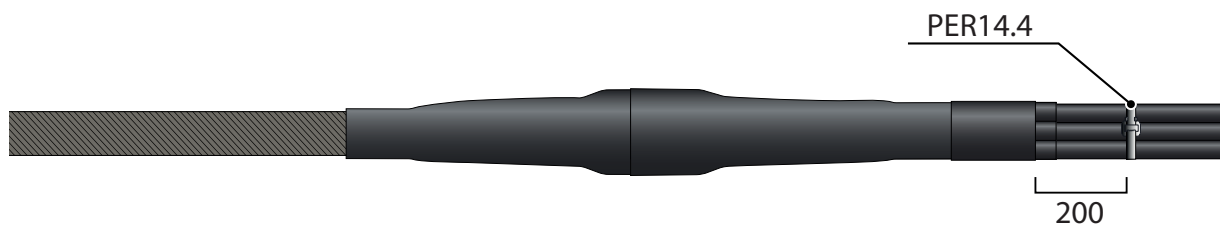
45



46



47



ENSTO