
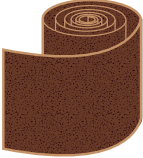





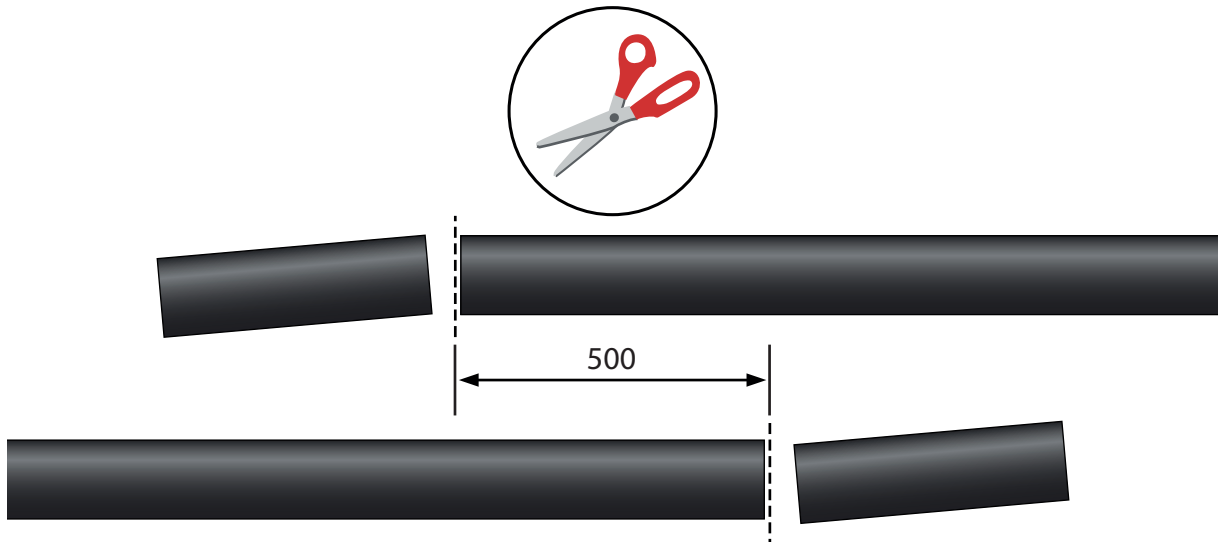
HJ33.1212RC

U_0/U_m (kV)	  mm ²
6/10 (12) kV	35-95

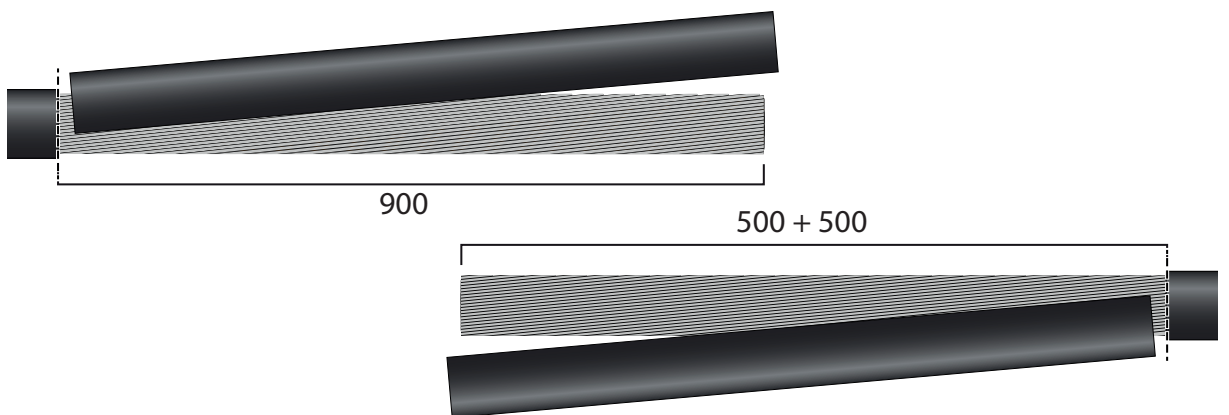
	CPEEPL140-42	1000 mm	1		STCTA49.10	10000 mm	2
	CPEEPL130-36	800 mm	1		SF2		6
	SIST16	370 mm	3		SSCTA85.6	650 mm	3
	SSCJ15	330 mm	3		SSCTA85.1	100 mm	6
	CA95SB2		3		SSM83.3	1 x 360 mm	5
	SLJ1.27		1		SSITA42.1000	1000 mm	6
	CAN1400.420		1		CT149		3
	PEE193	620 mm	2		PA23		2
	PEE92.10	1000 mm	4		PEE225W		1
	SSCL110		4		SACTA20.2		6
	PEE226/1700	1700 mm	1		PEE64/350		1

	PEE39/1500	2			
	PEE64.1/600	2			
	PEM-HJ33_1212RC PEM-HJ33_1212RC-CTS	1 1			

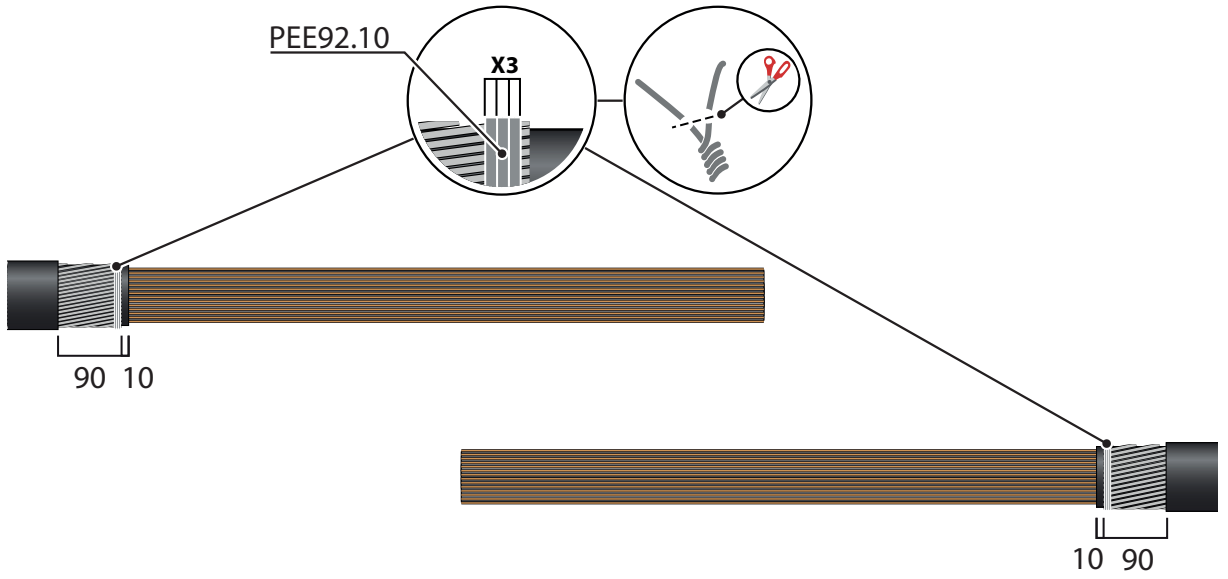
1



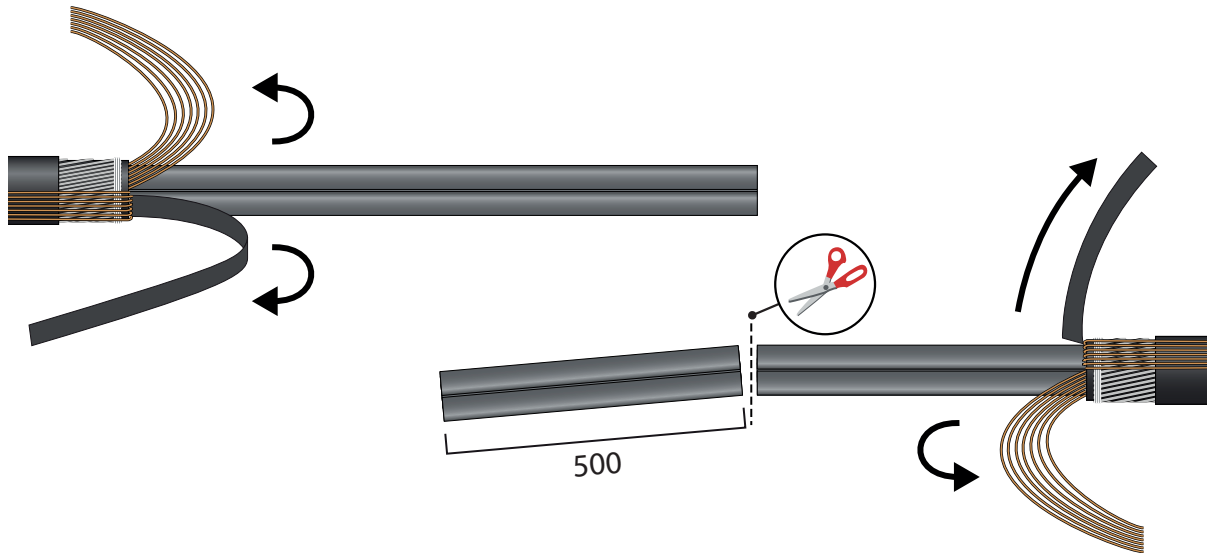
2



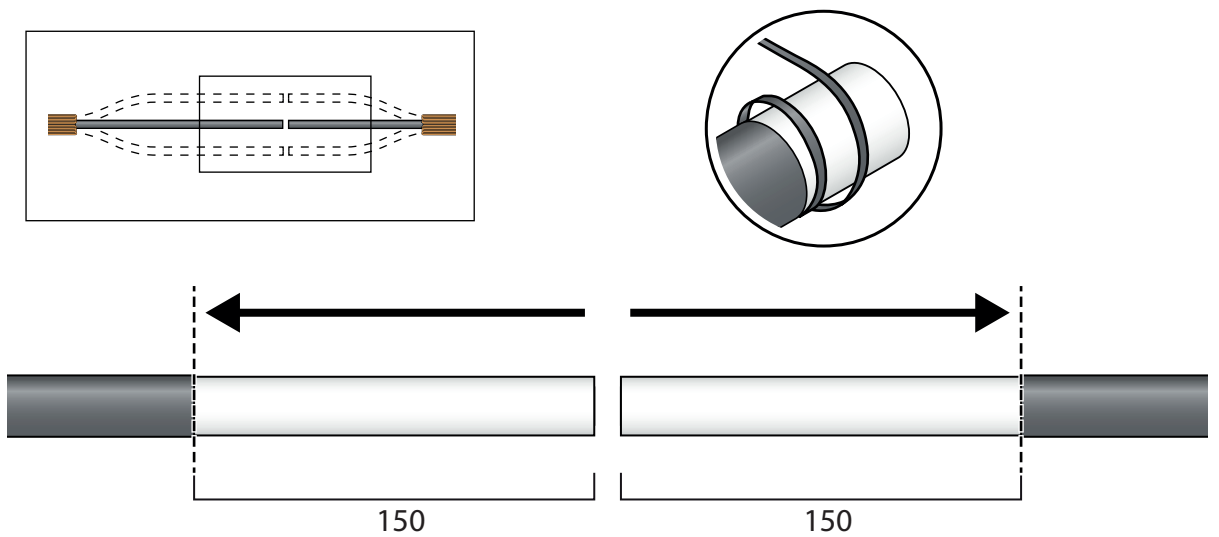
3



4



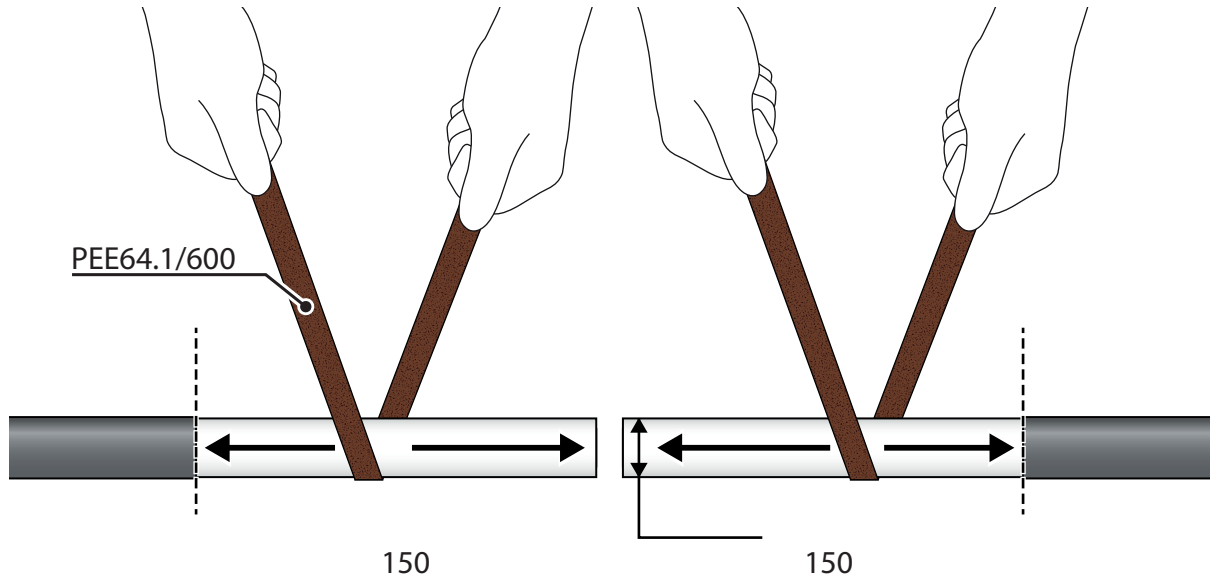
5



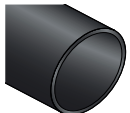
6



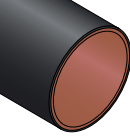
PEE64.1/600



7



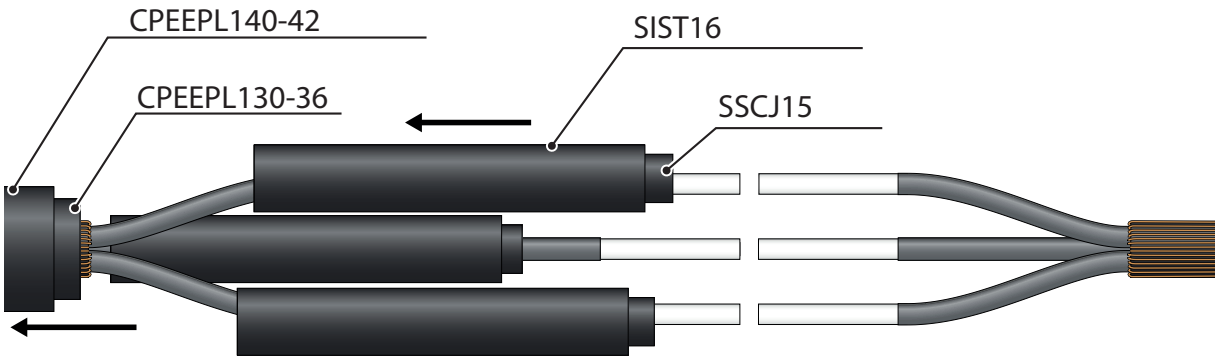
CPEEPL140-42
CPEEPL130-36



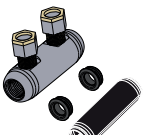
SIST16



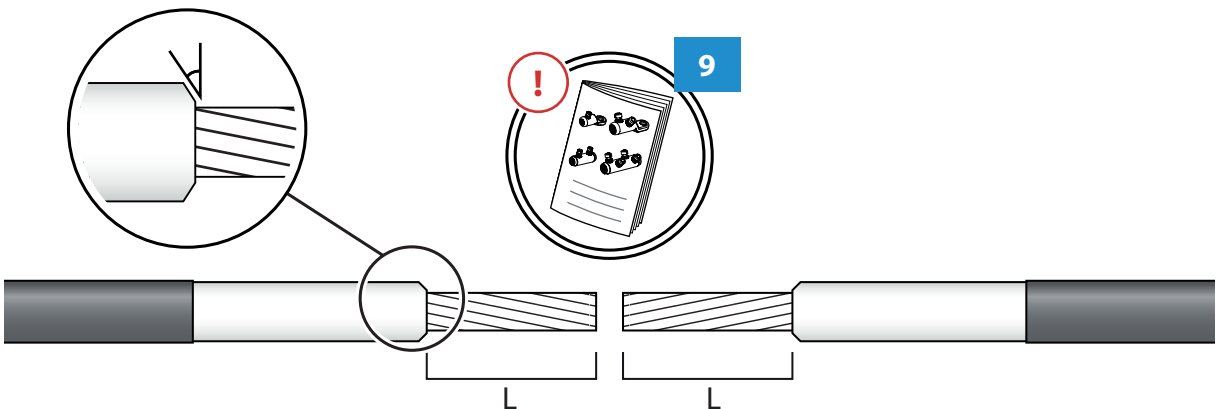
SSCJ15



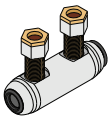
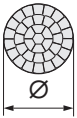

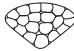

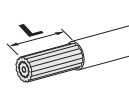
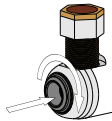
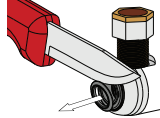
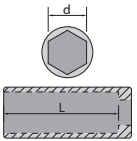
8

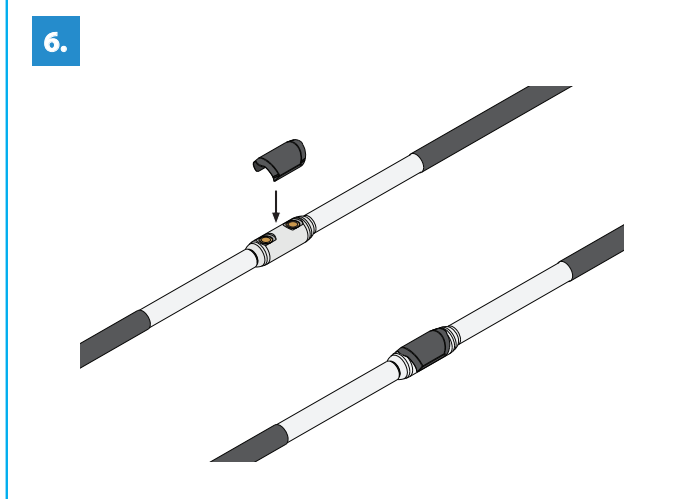
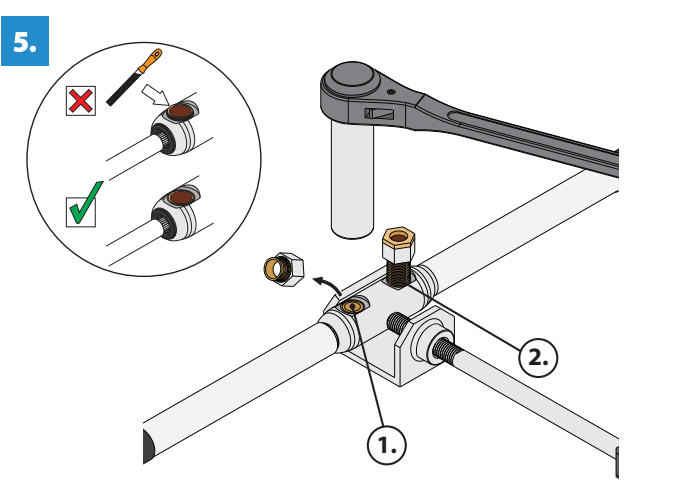
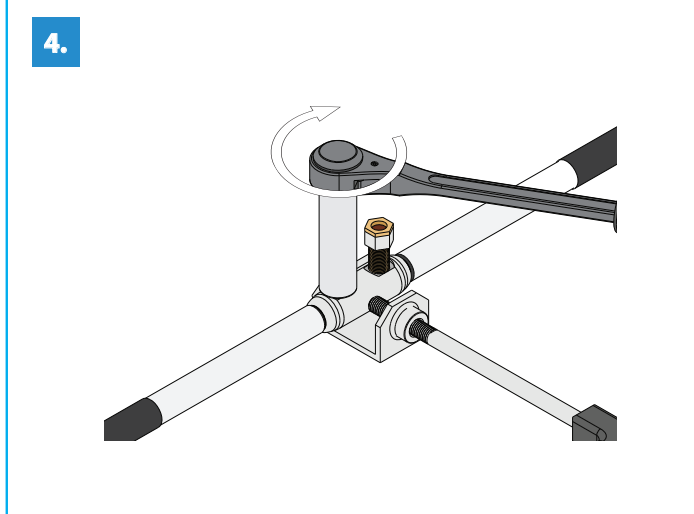
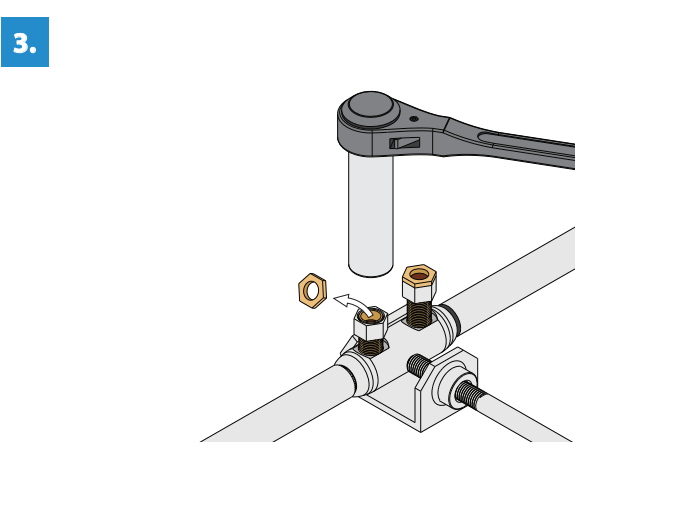
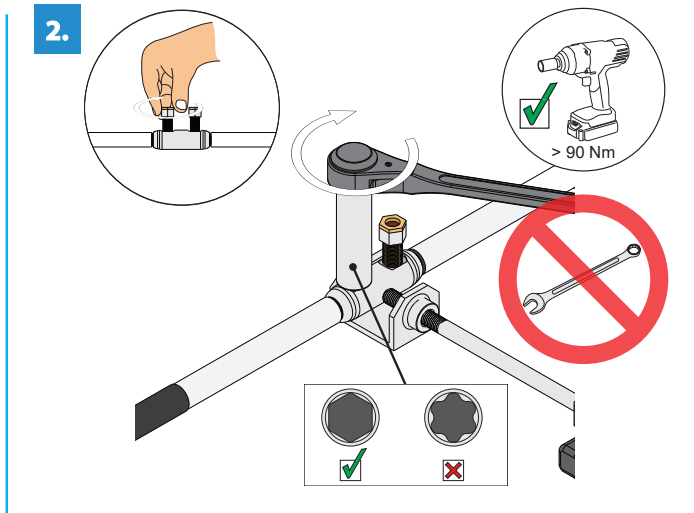
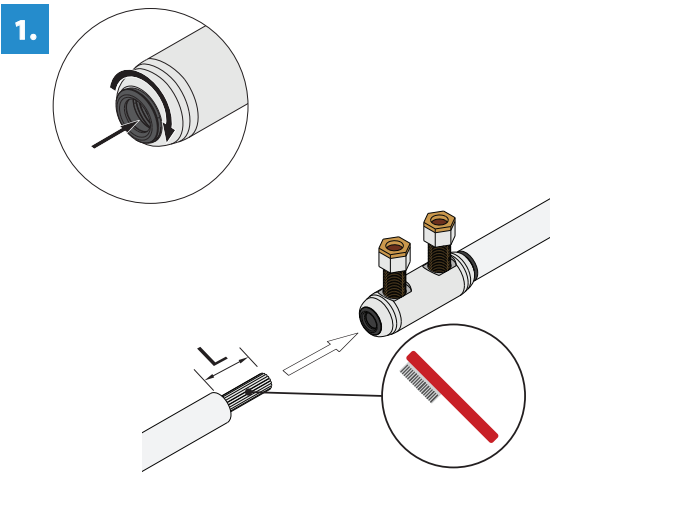


CA95SB2





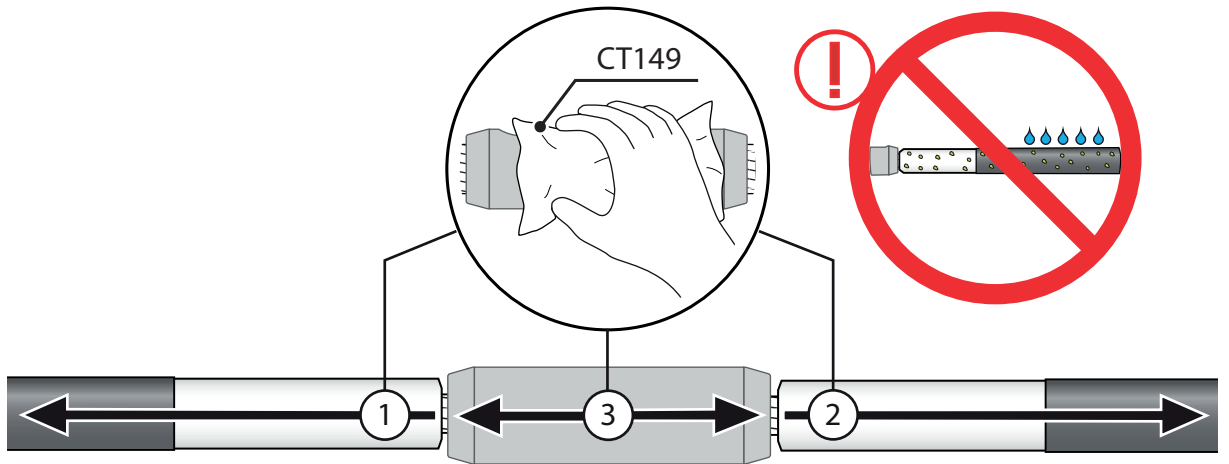
								
	mm	mm ²	mm ²	mm ²	mm	mm ²	mm ²	mm
CA95SB2	3.6-12	10-95	90° 10-70 120° 10-50	90° 10-70 120° 10-50	35	10 - 50	-	d=15 / L= >26



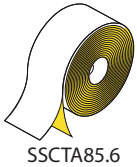
10



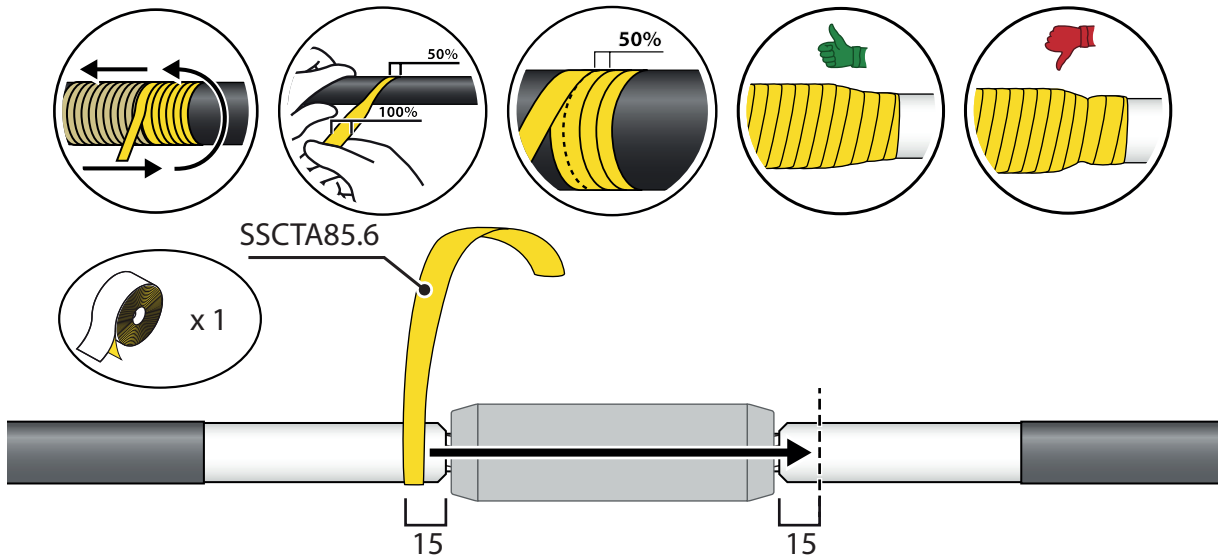
CT149



11



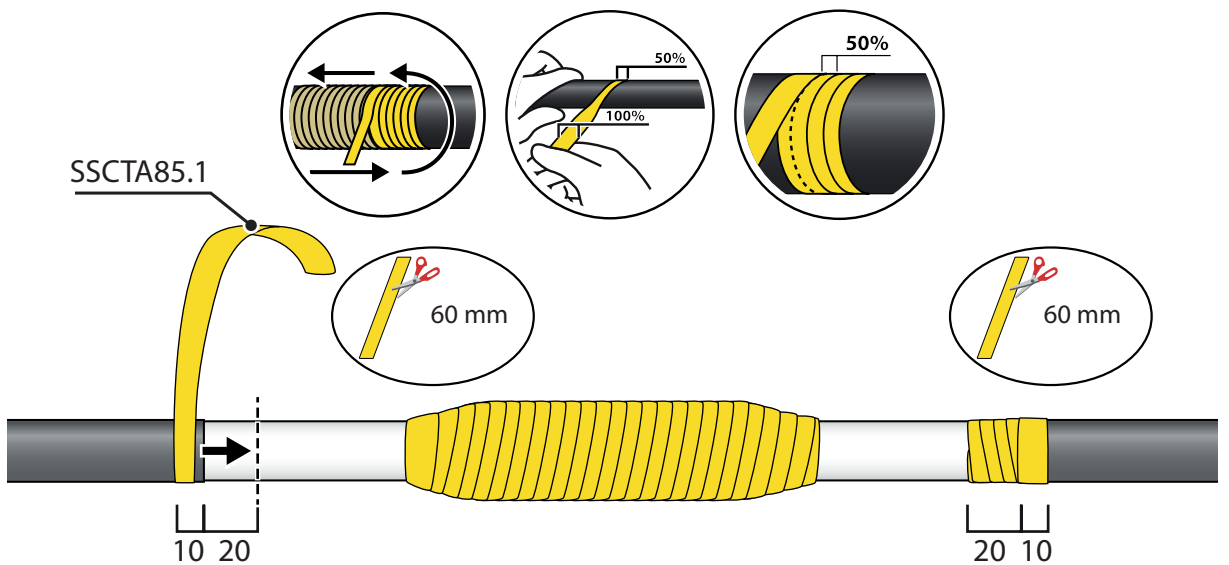
SSCTA85.6



12



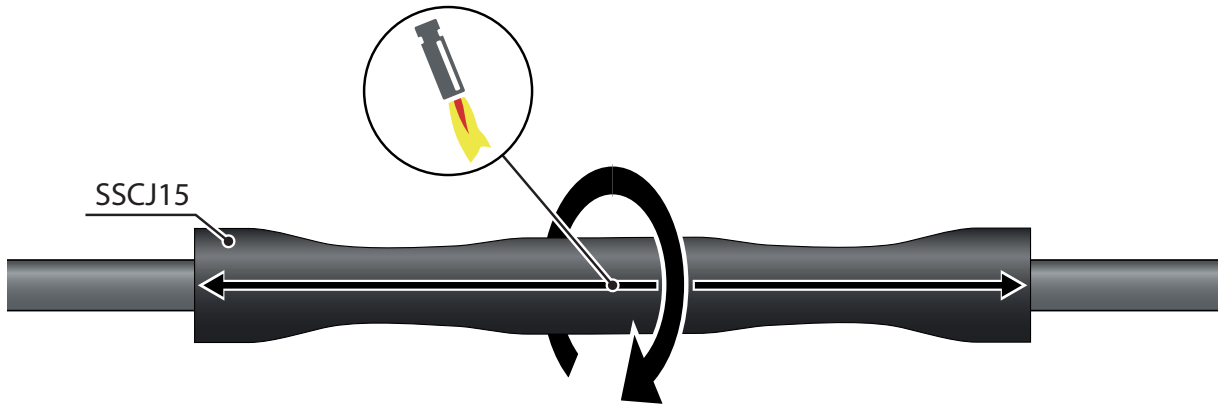
SSCTA85.1



13



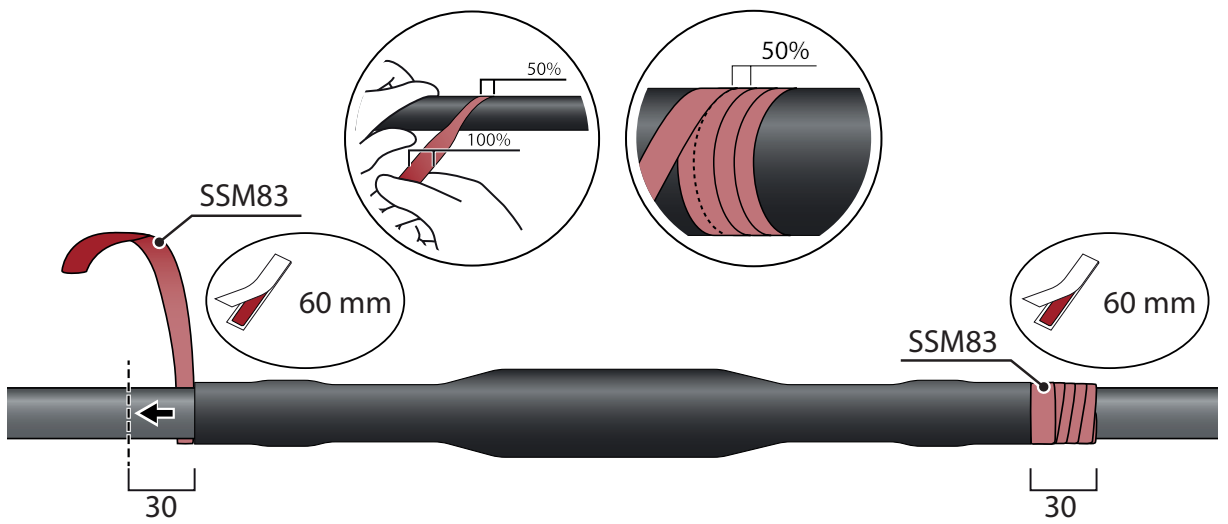
SSCJ15



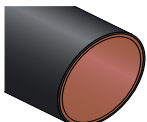
14



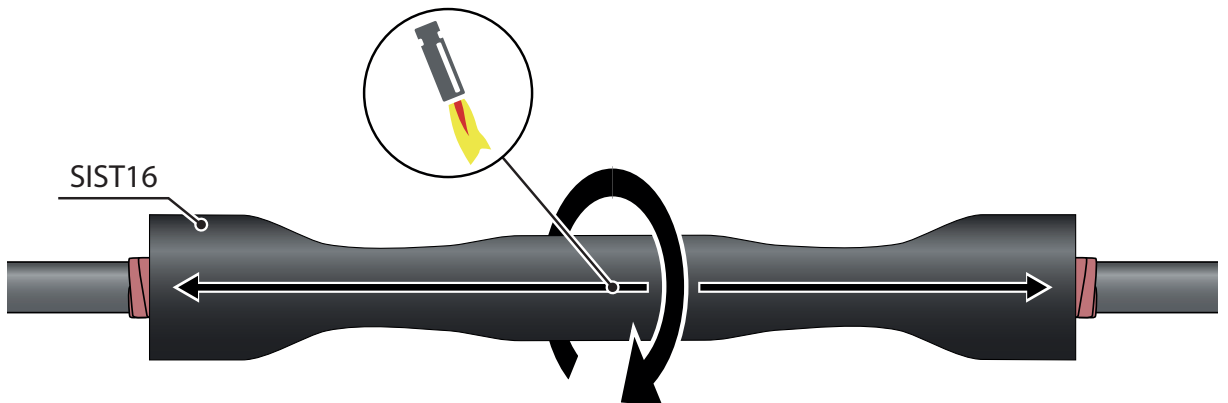
SSM83



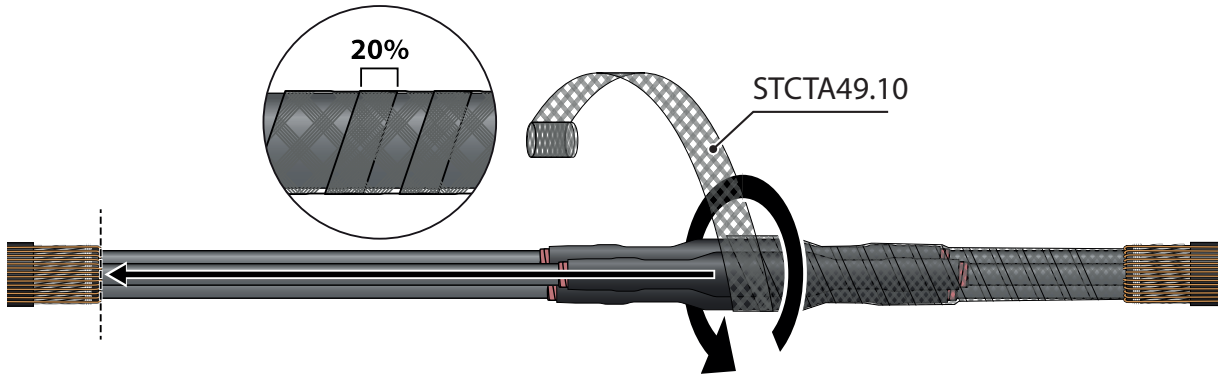
15



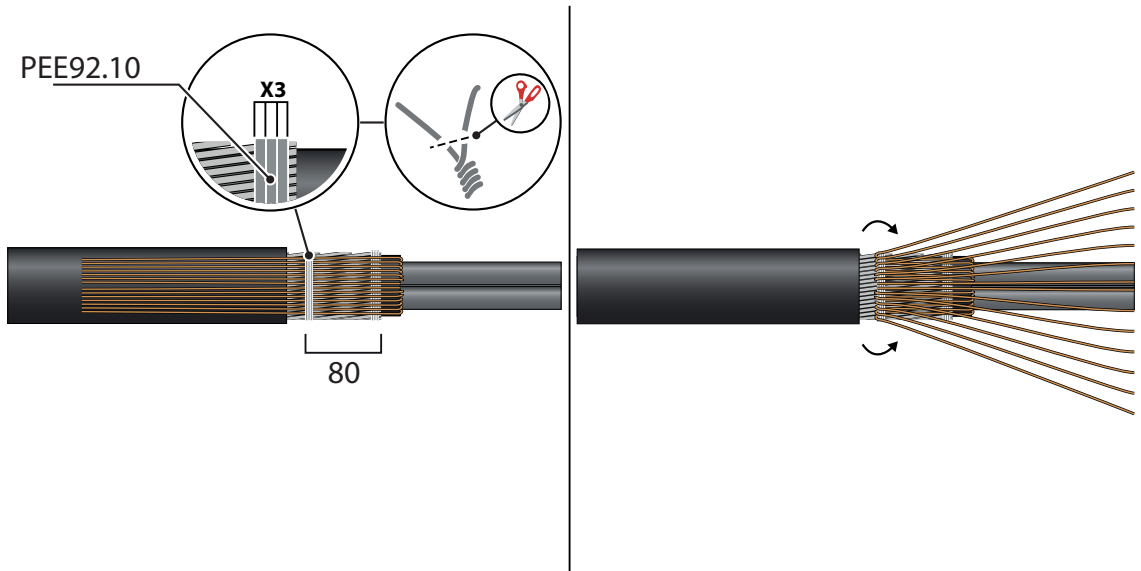
SIST16



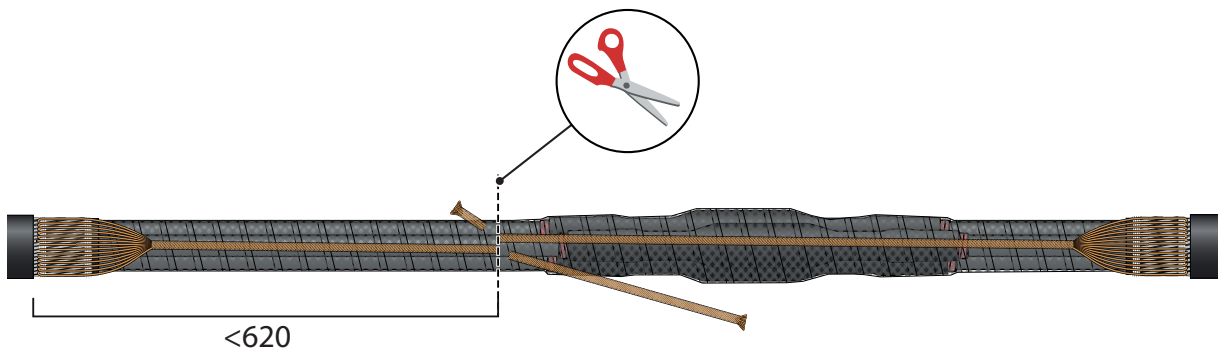
16



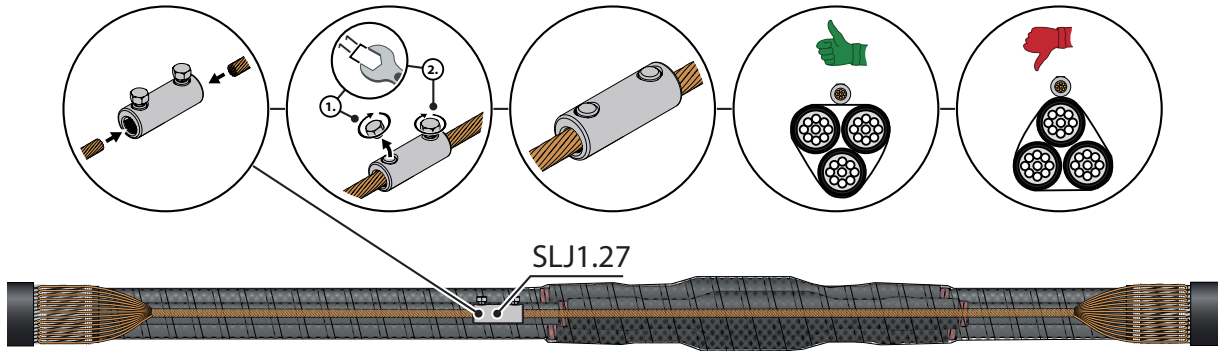
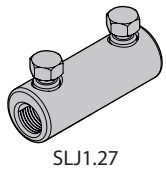
17



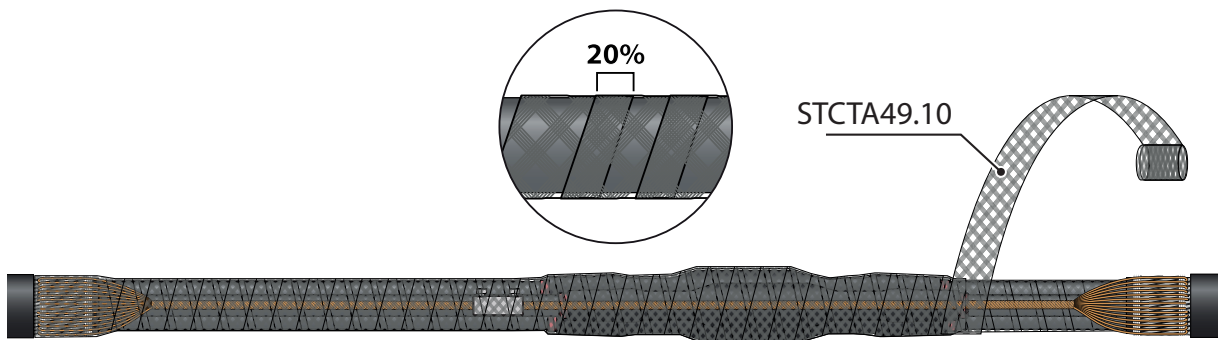
18



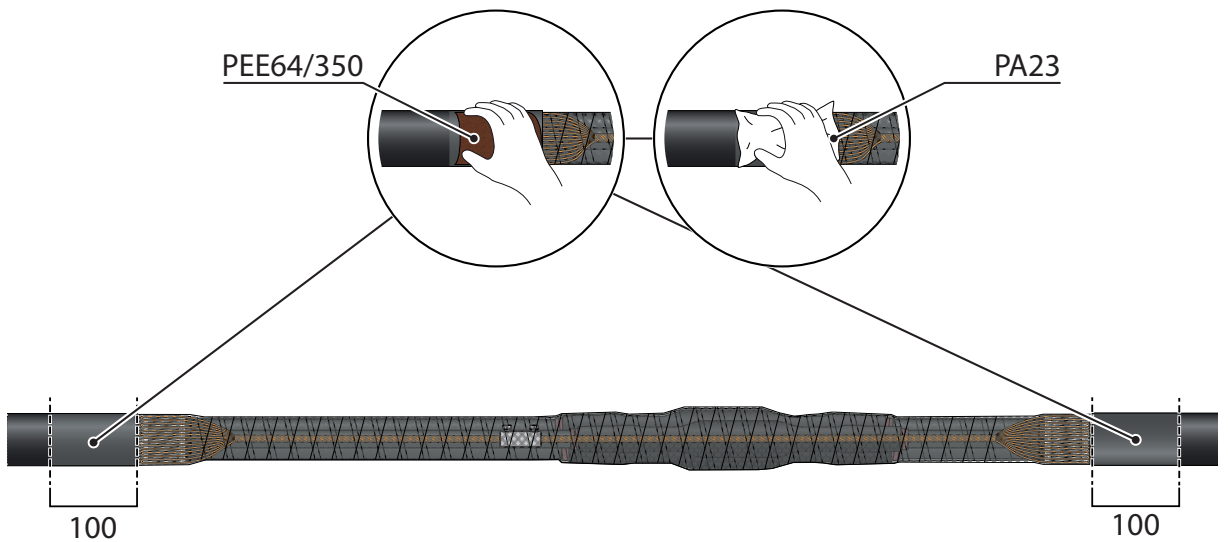
19



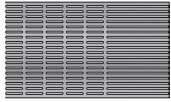
20



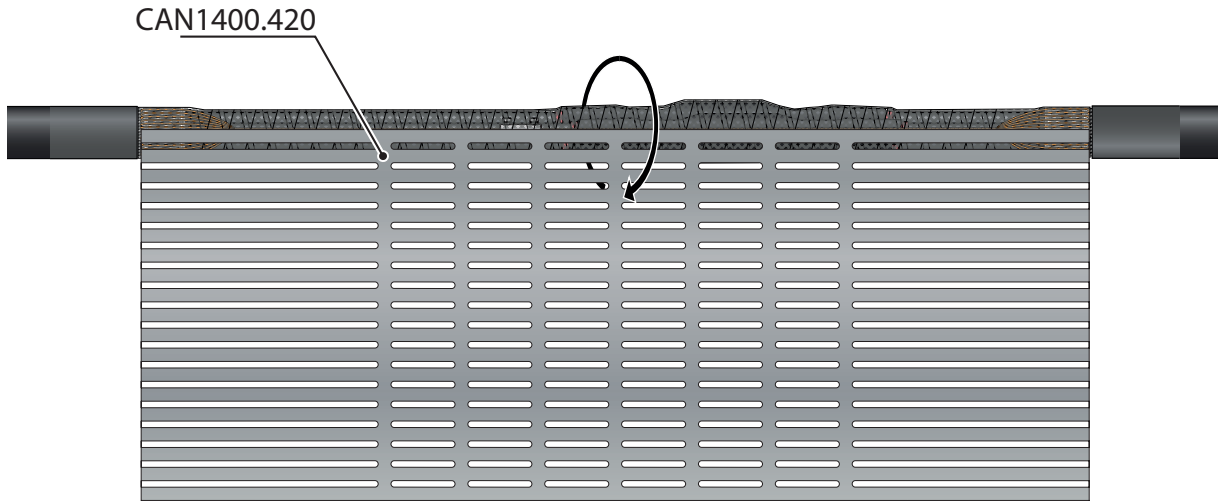
21



22



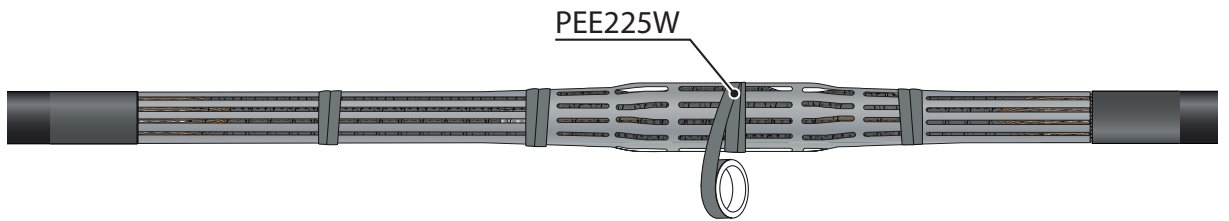
CAN1400.420



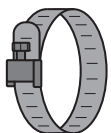
23



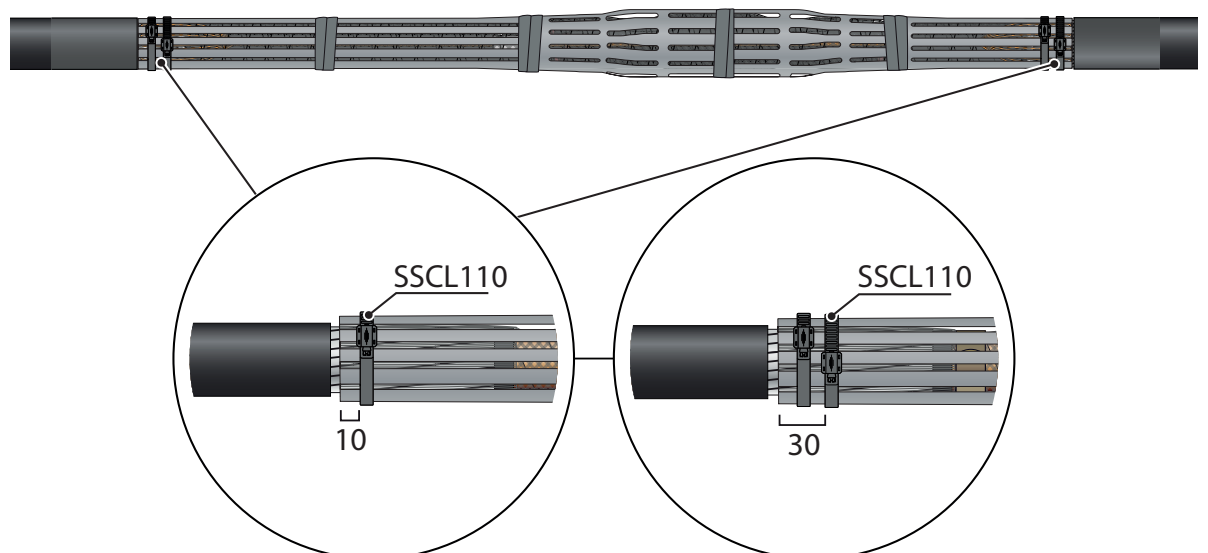
PEE225W



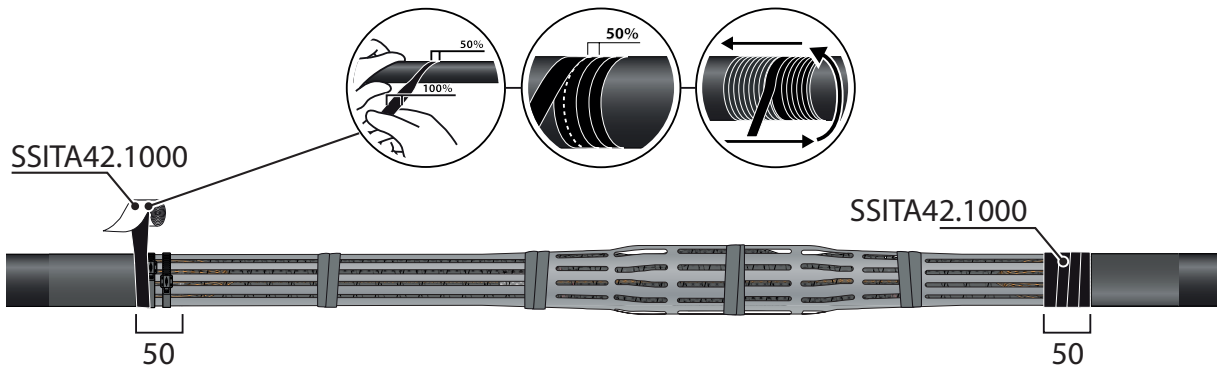
24



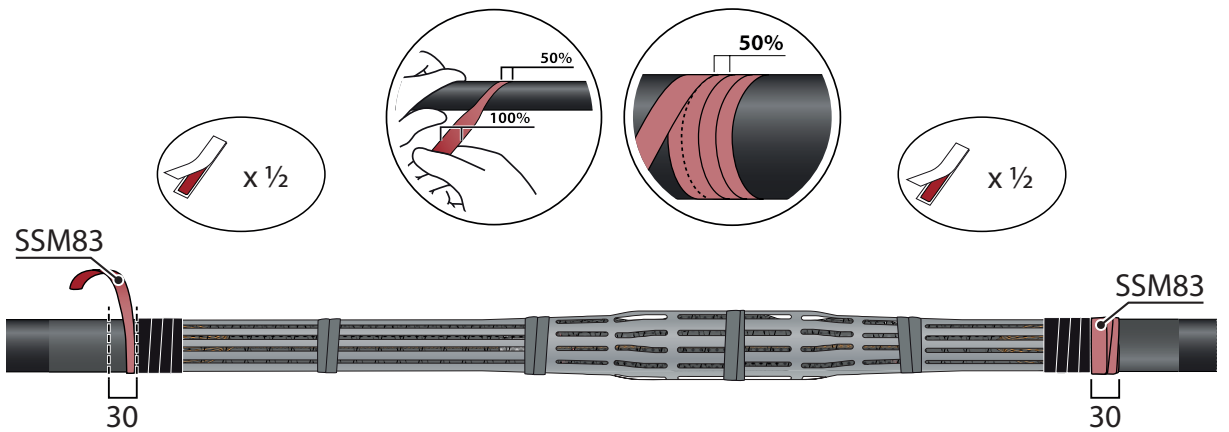
SSCL110



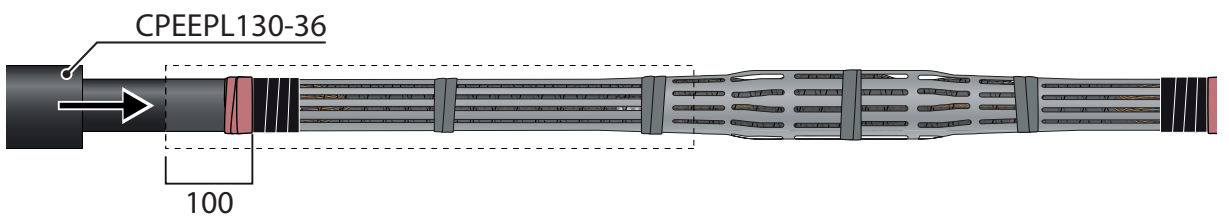
25

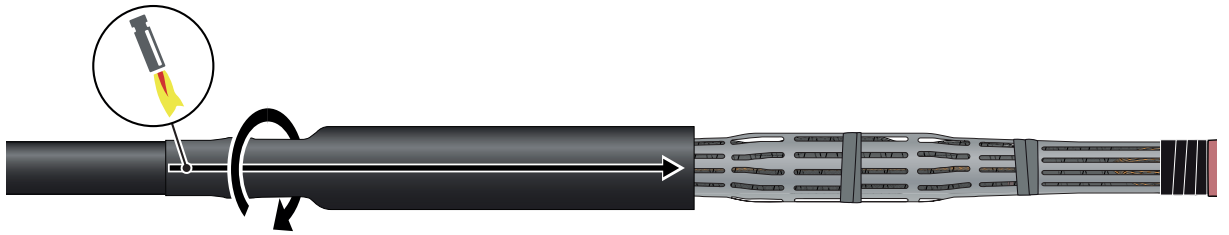


26

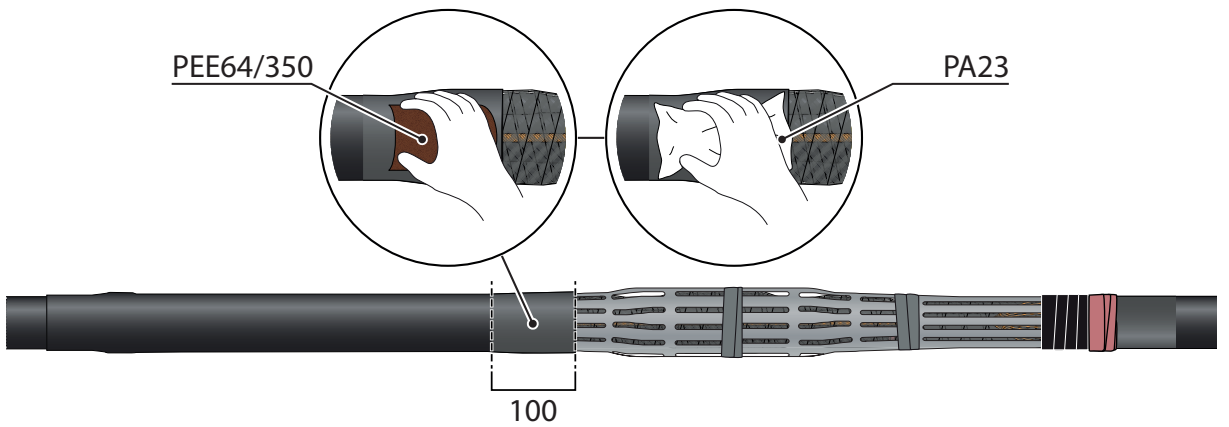


27

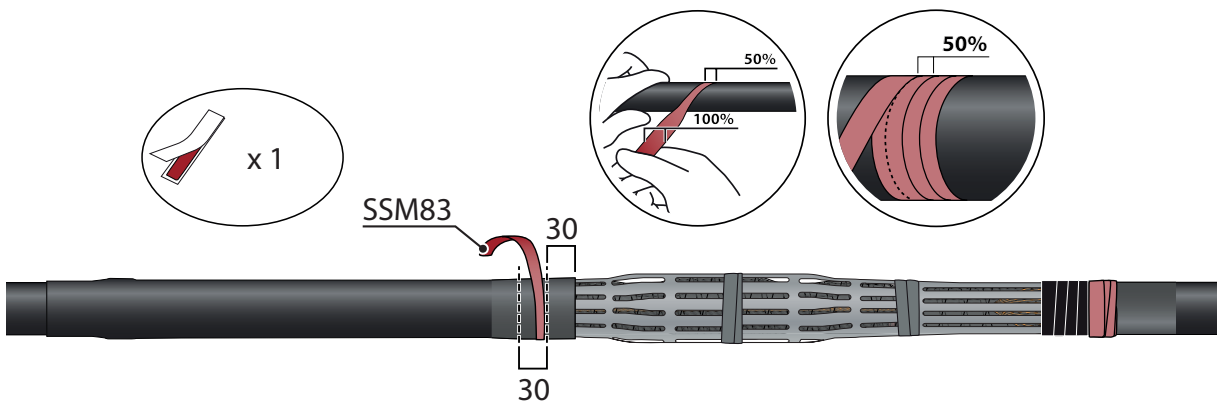




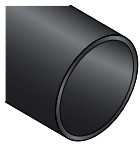
29



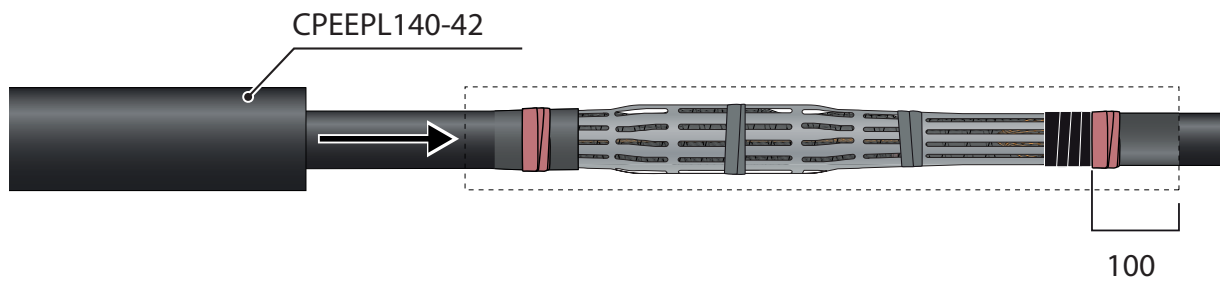
30



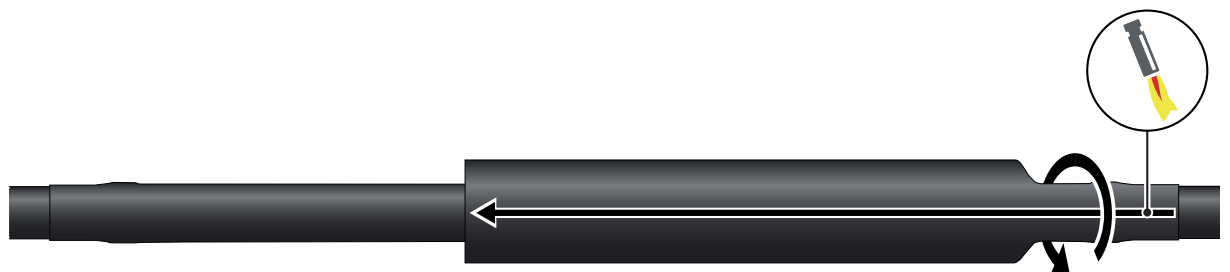
31

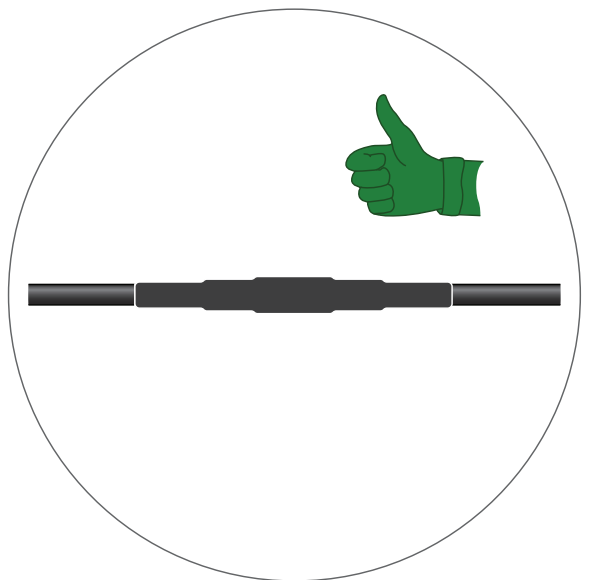
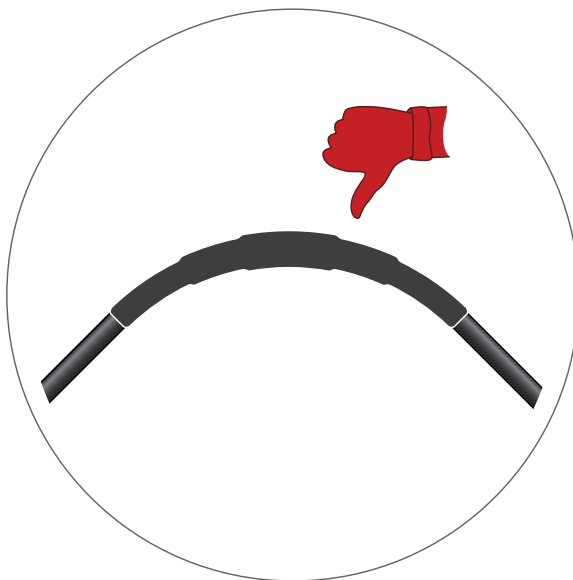
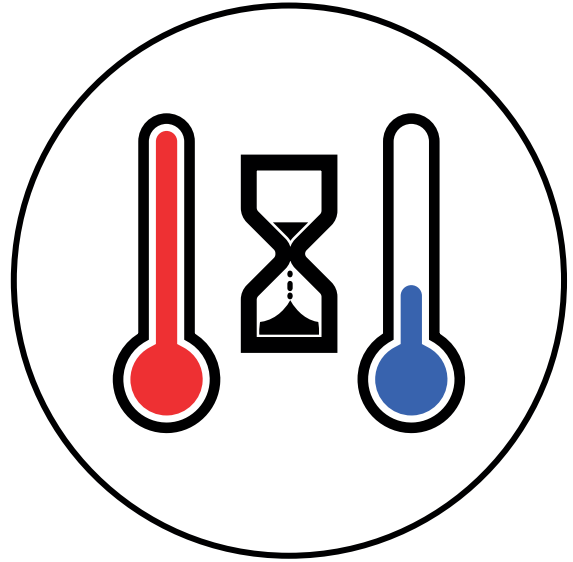


CPEEPL140-42



32





ENSTO