
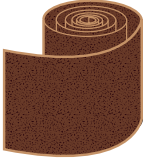





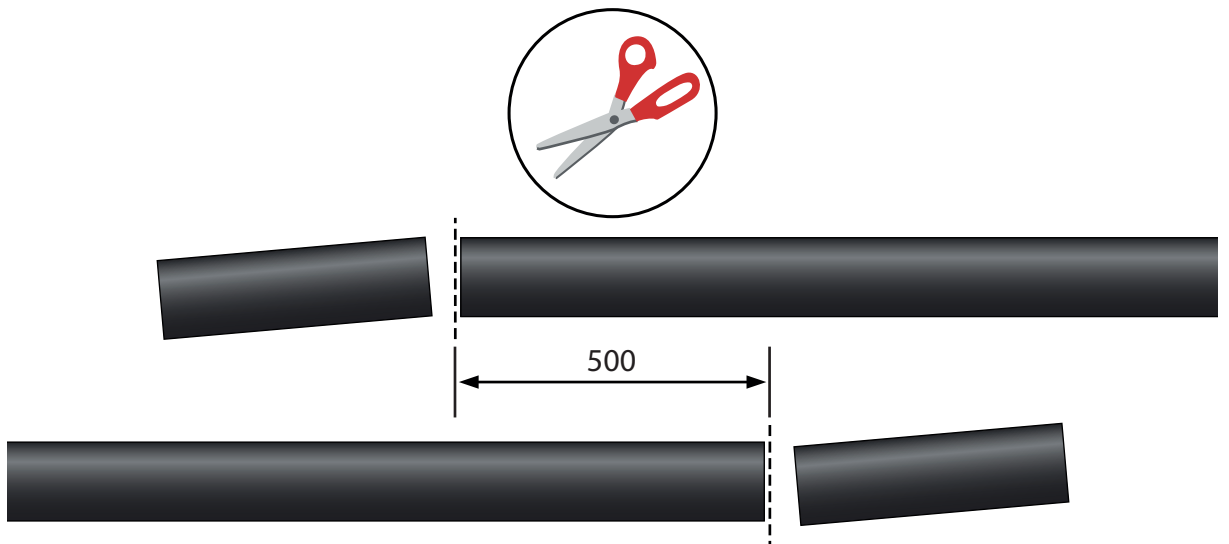
HJ33.1212RC

$U_o/U (U_m)$ kV	 mm ²
6/10 (12) kV	35-95

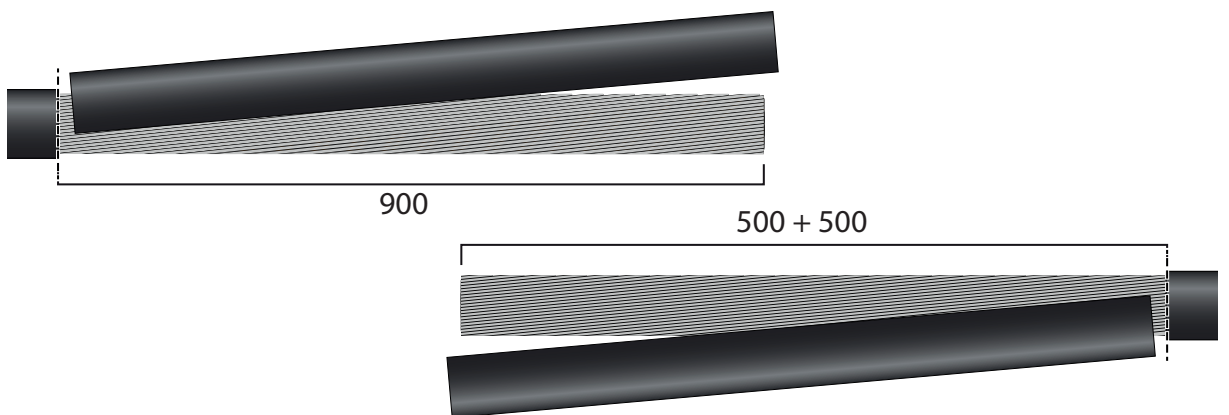
	CPEEPL140-42	1000 mm	1		STCTA49.10	10000 mm	2
	CPEEPL130-36	800 mm	1		SF2		6
	SIST16	370 mm	3		SSCTA85.6	650 mm	3
	SSCJ15	330 mm	3		SSCTA85.1	100 mm	6
	CA95SB2		3		SSM83.3	1 x 360 mm	5
	SLJ1.27		1		SSITA42.1000	1000 mm	6
	CAN1400.420		1		CT149		3
	PEE193	620 mm	2		PA23		2
	PEE92.10	1000 mm	4		PEE225W		1
	SSCL110		4		SACTA20.2		6
	PEE226/1700	1700 mm	1		PEE64/350		1

	PEE39/1500	2			
	PEE64.1/600	2			
	PEM-HJ33_1212RC PEM-HJ33_1212RC-CTS	1 1			

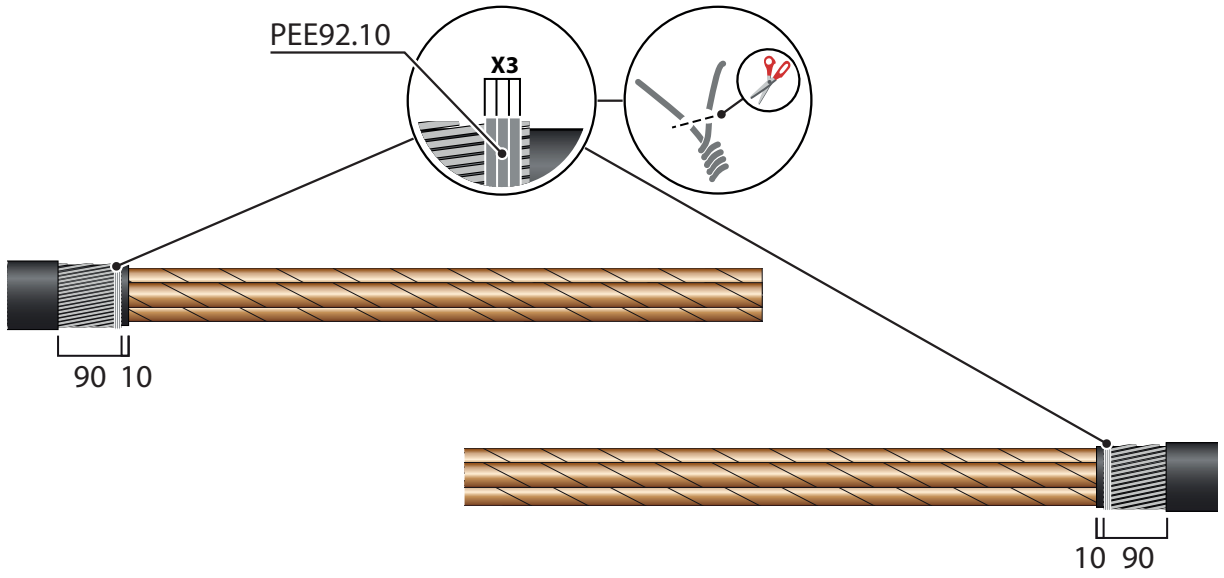
1



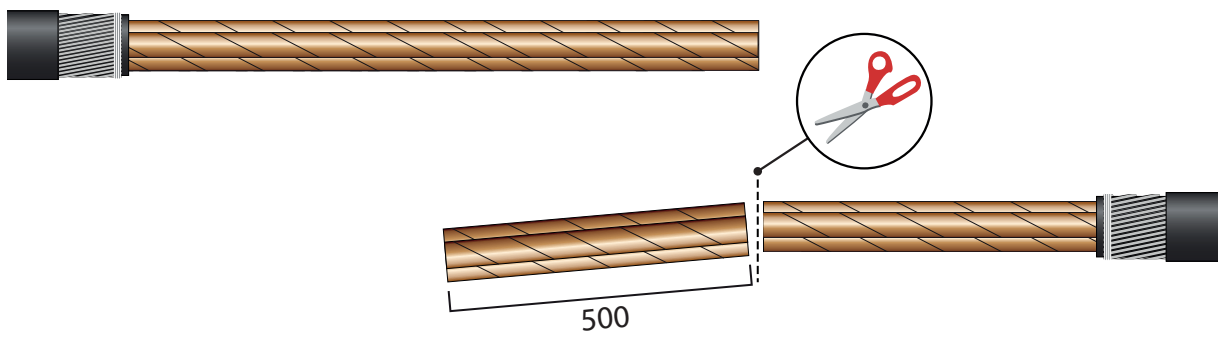
2



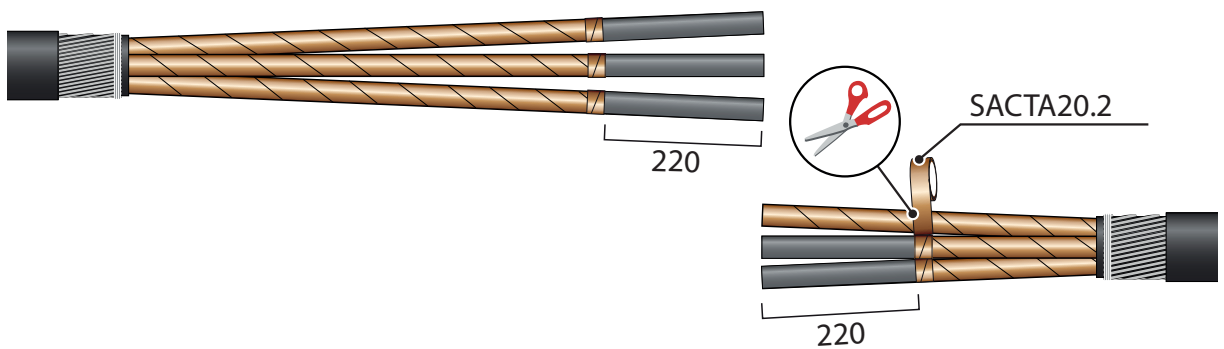
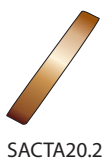
3



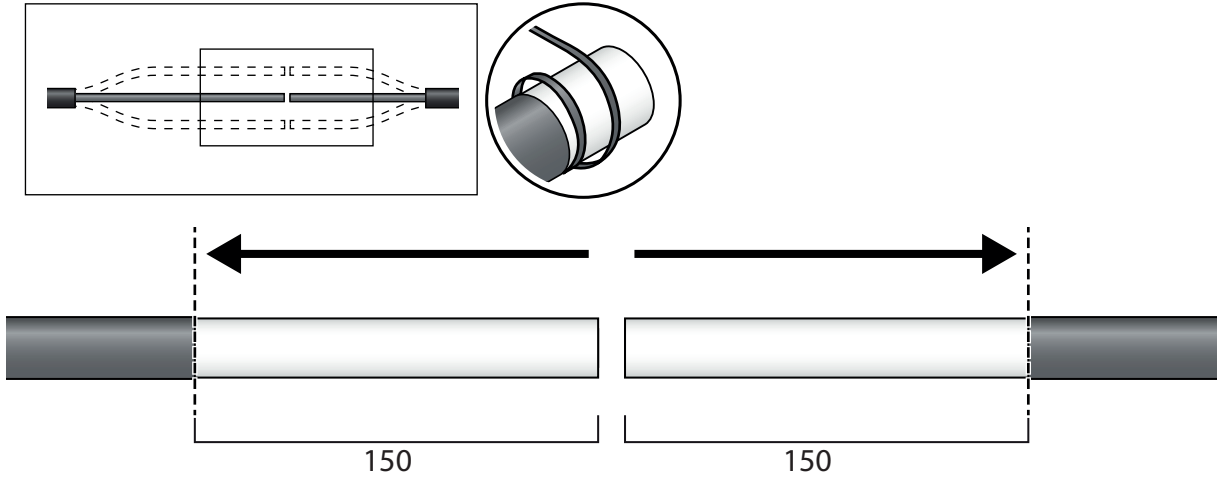
4



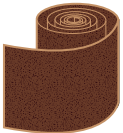
5



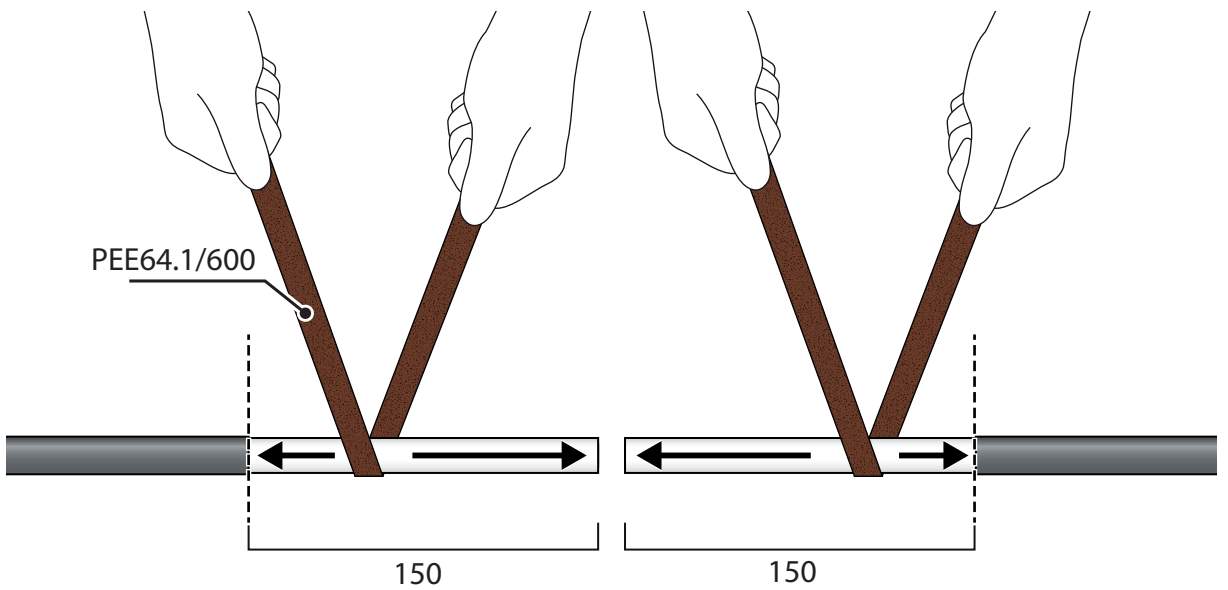
6



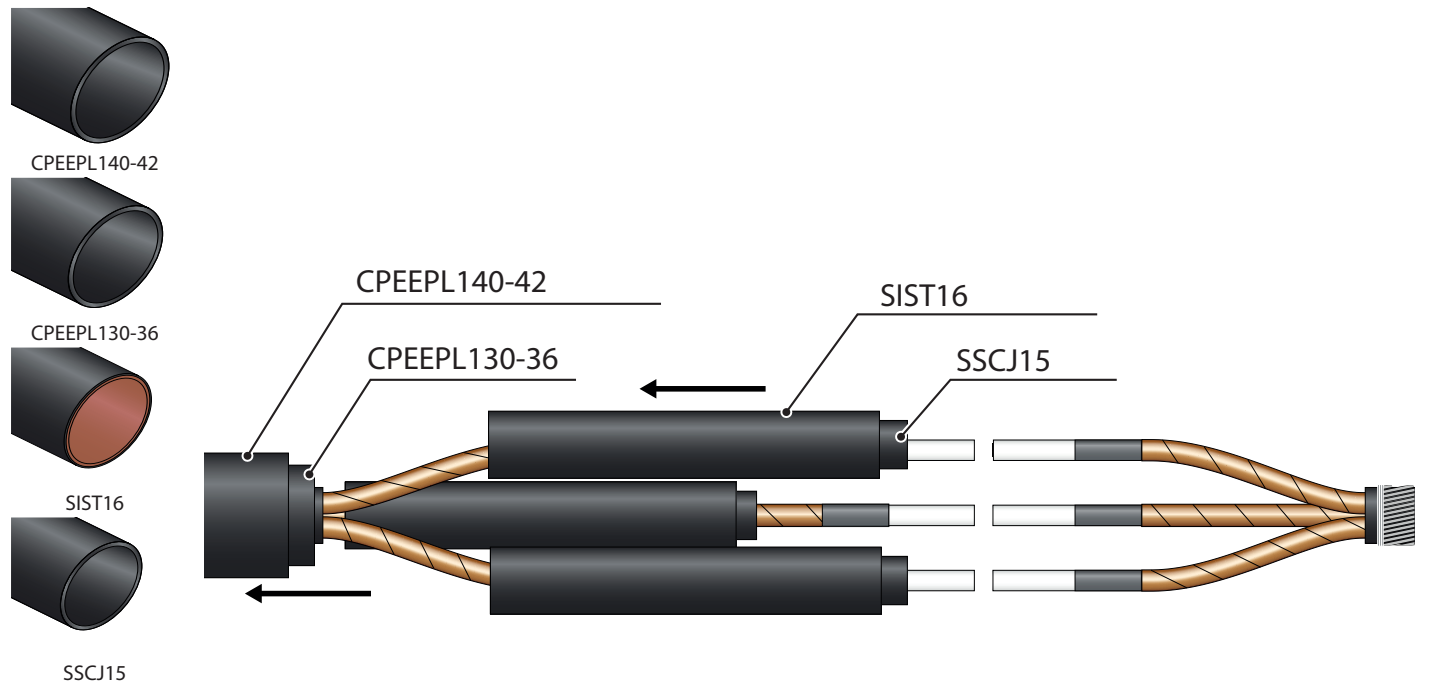
7



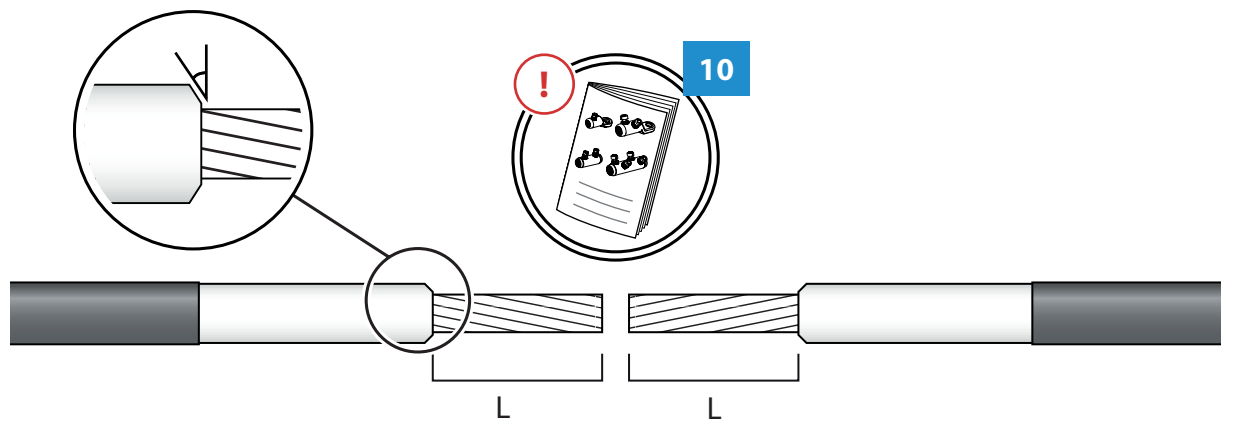
PEE64.1/600



8

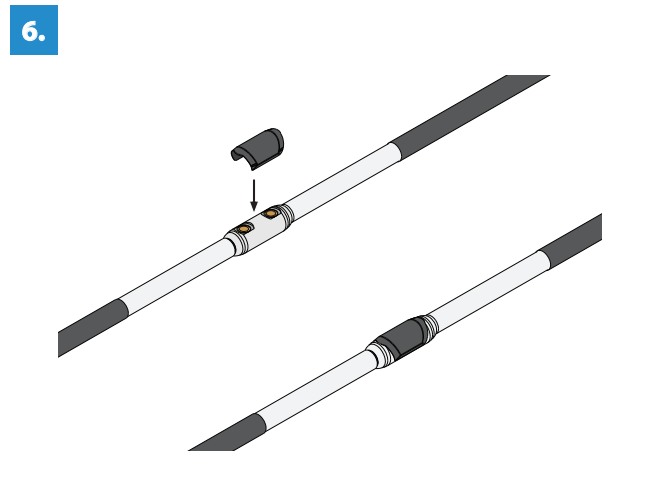
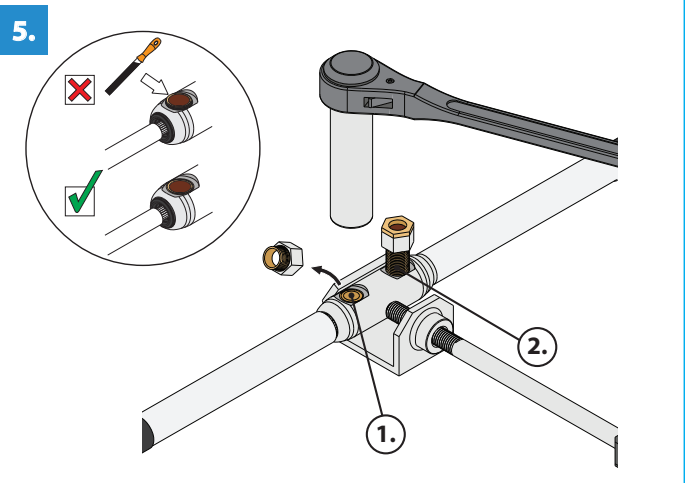
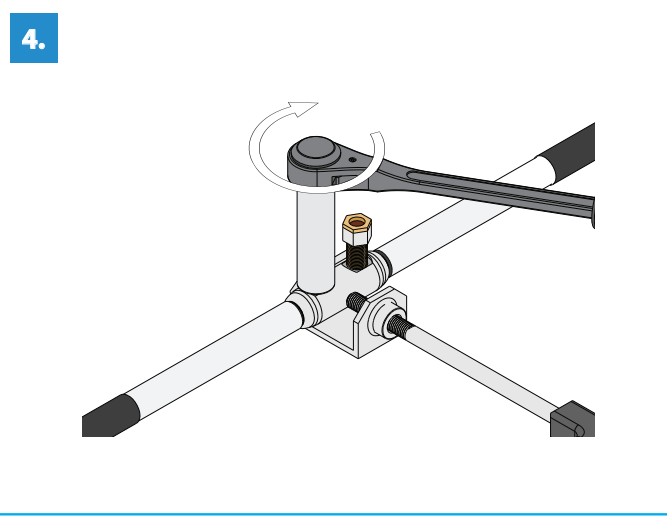
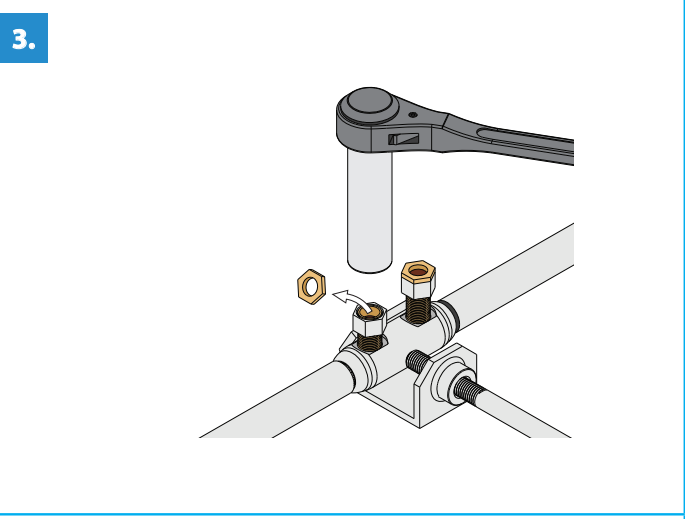
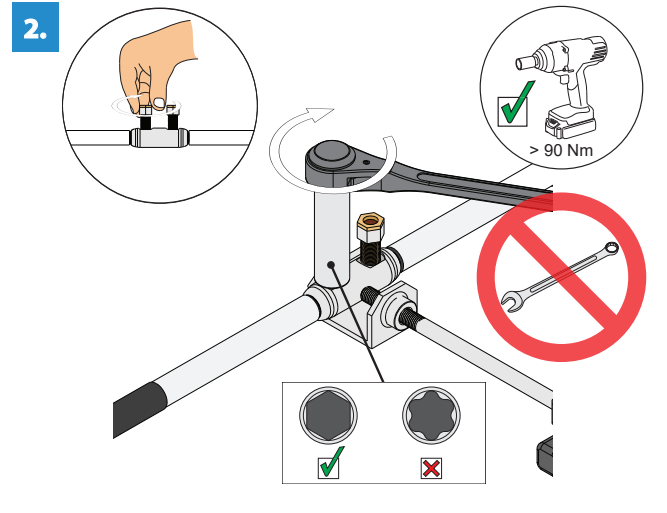
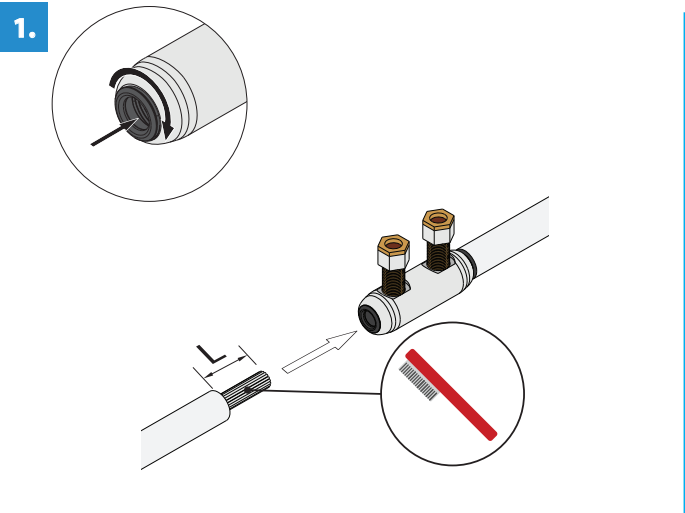


9





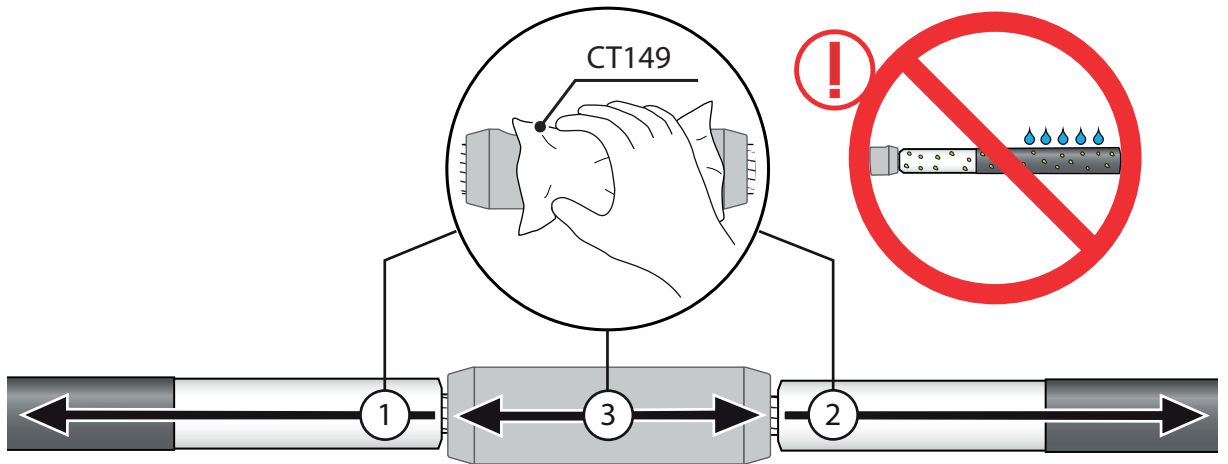
	mm	mm ²	mm ²	mm ²	mm	mm ²	mm ²	mm ²	mm
CA95SB2	3.6-12	10-95	90° 10-70 120° 10-50	90° 10-70 120° 10-50	35	10 - 50	-	-	d=15 / L= >26



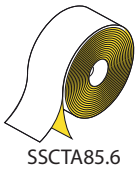
11



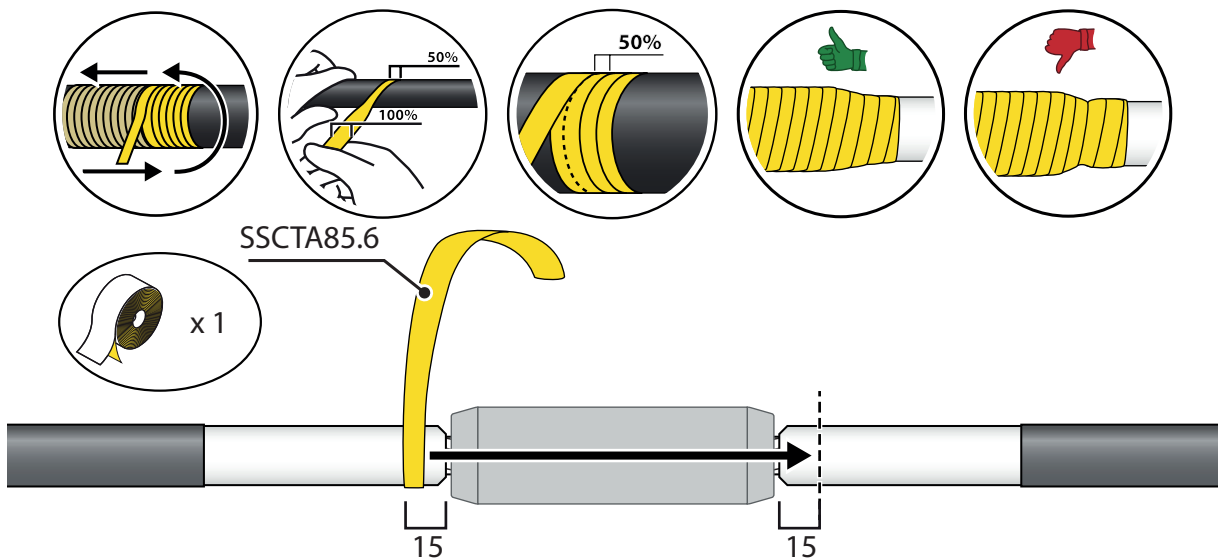
CT149



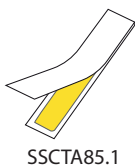
12



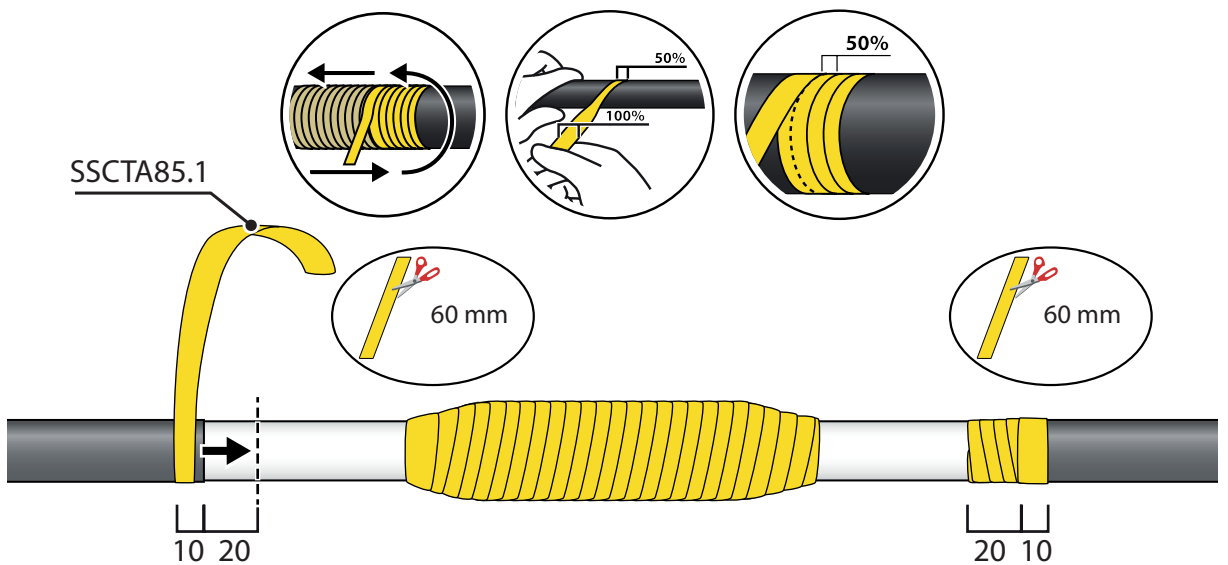
SSCTA85.6



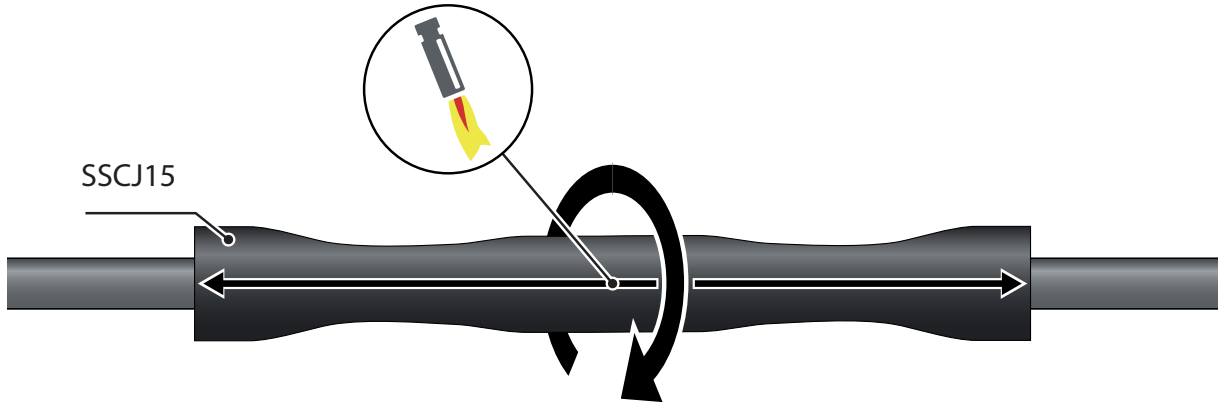
13



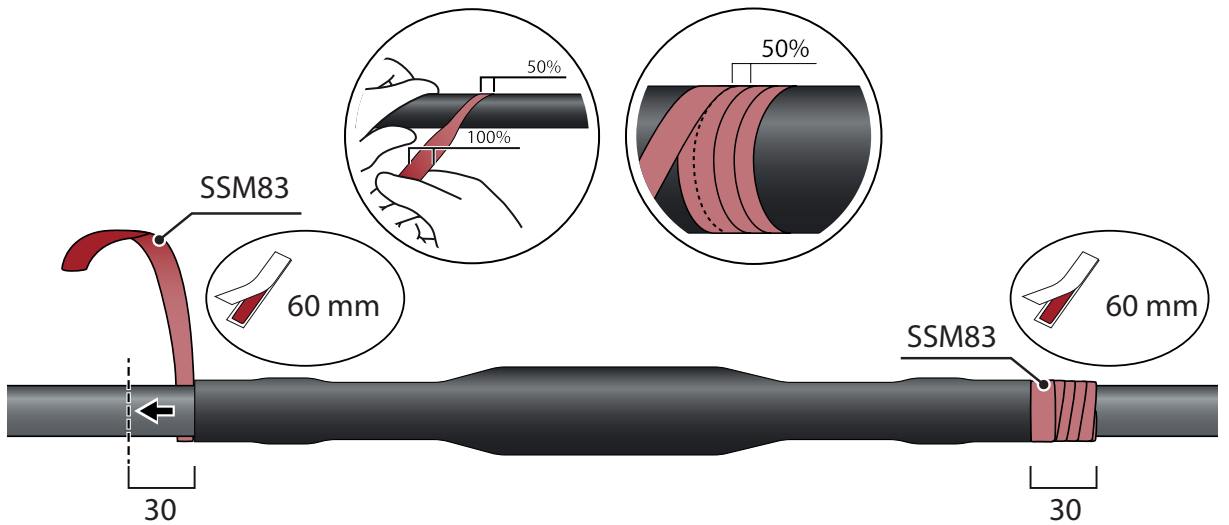
SSCTA85.1



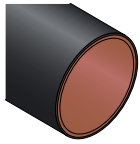
14



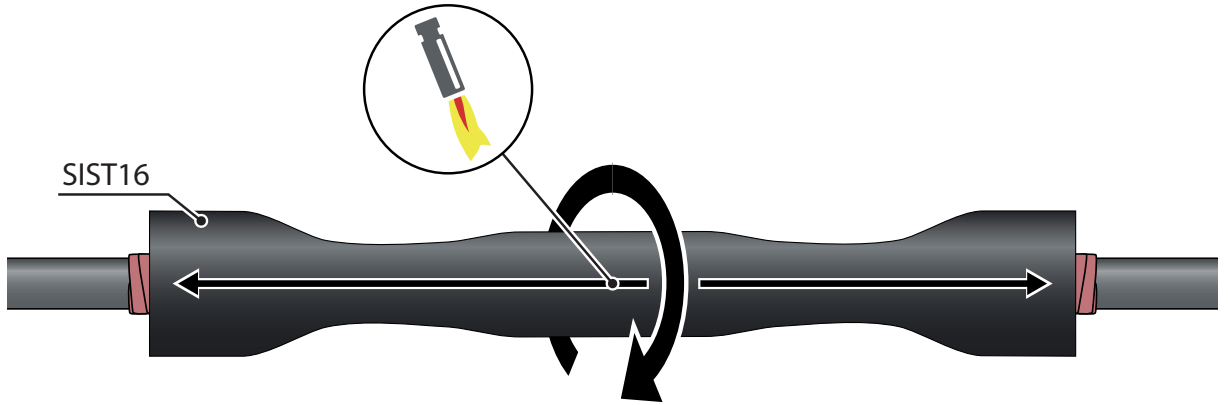
15



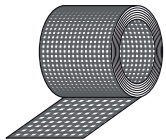
16



SIST16



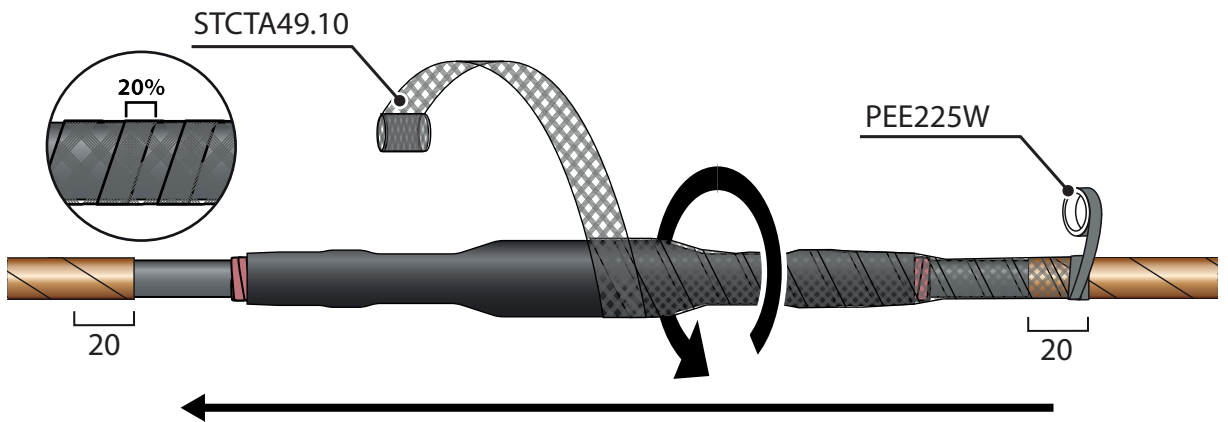
17



STCTA49.10



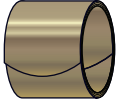
PEE225W



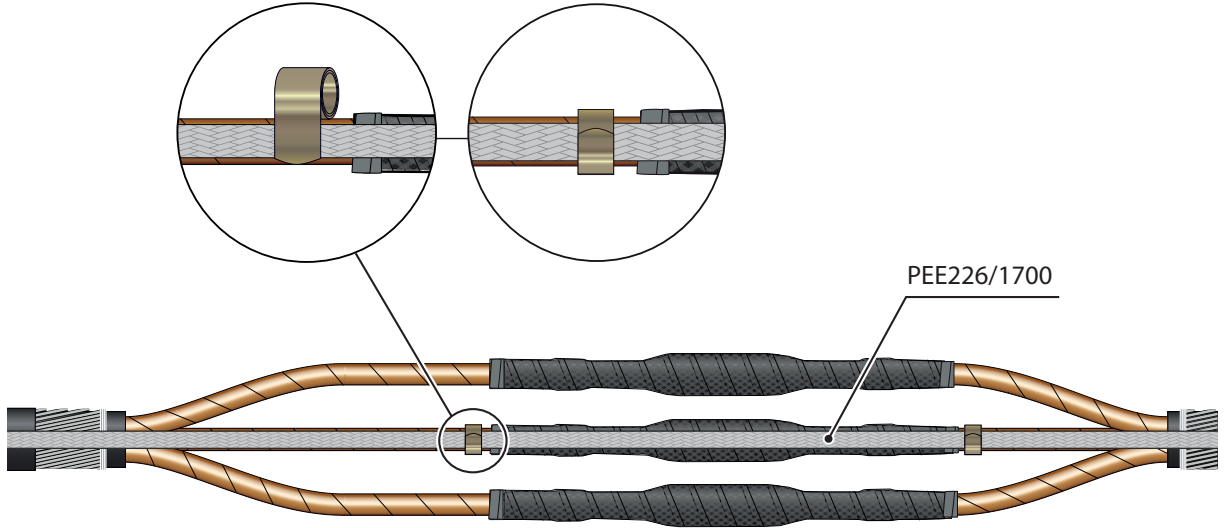
18



PEE226/1700



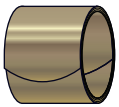
SF2



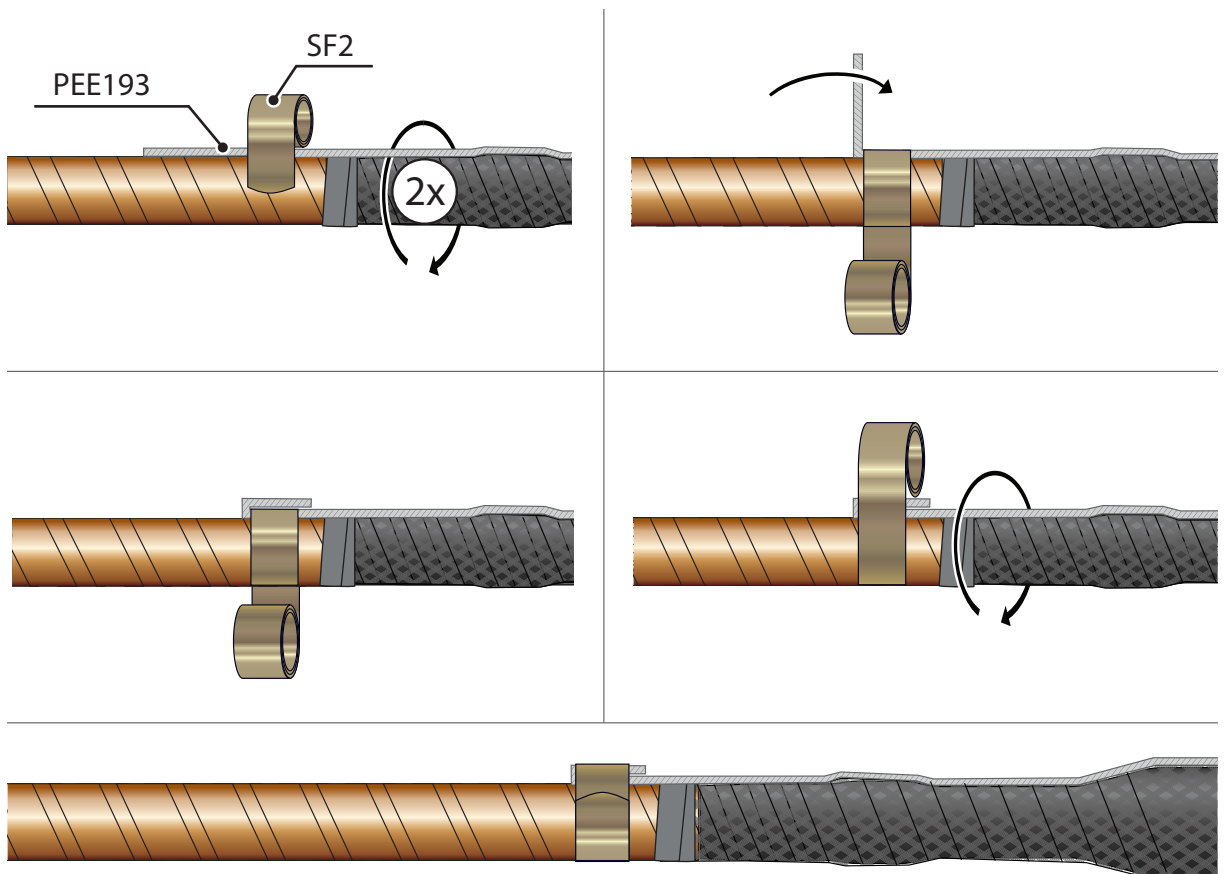
19



PEE193



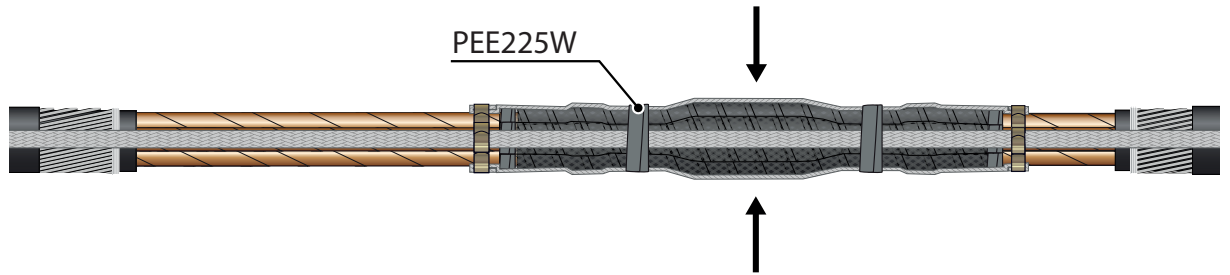
SF2



20



PEE225W



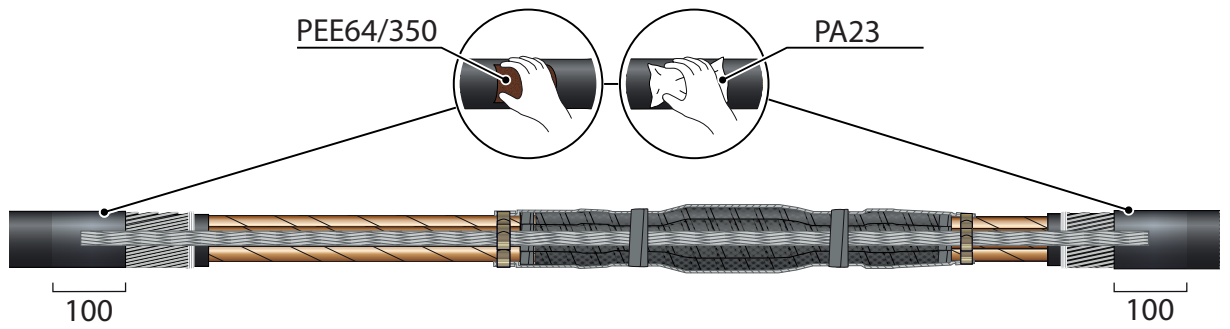
21



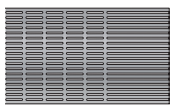
PEE64/350



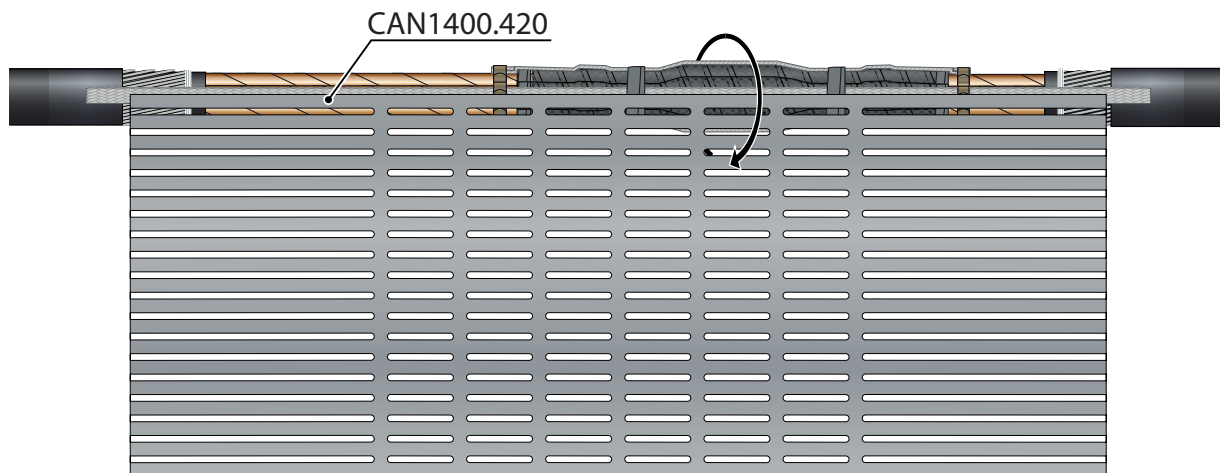
PA23



22



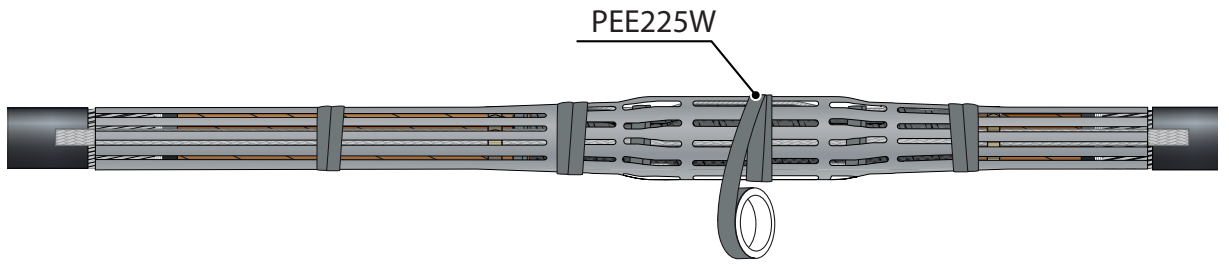
CAN1400.420



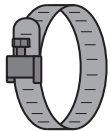
23



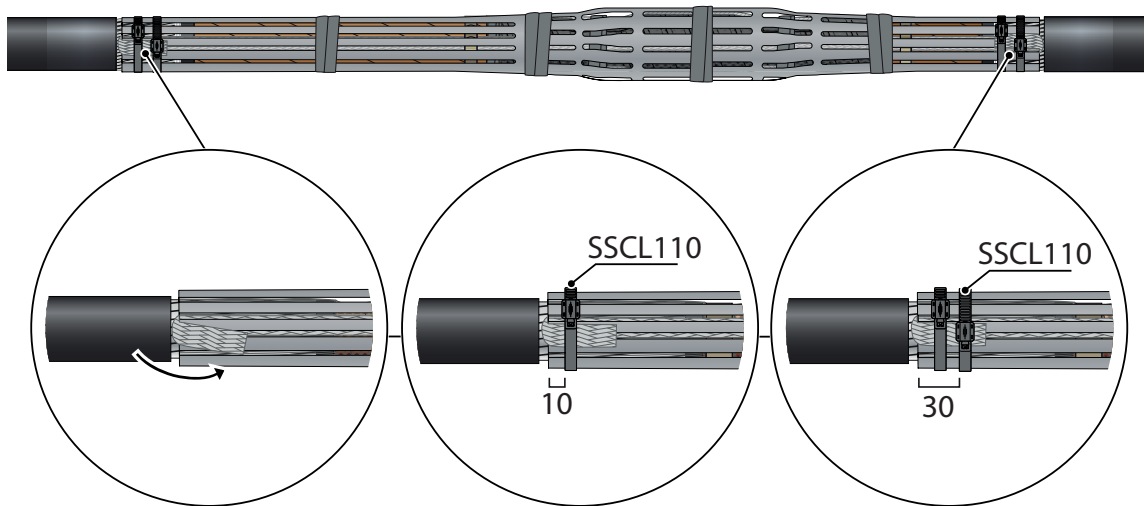
PEE225W



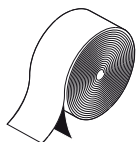
24



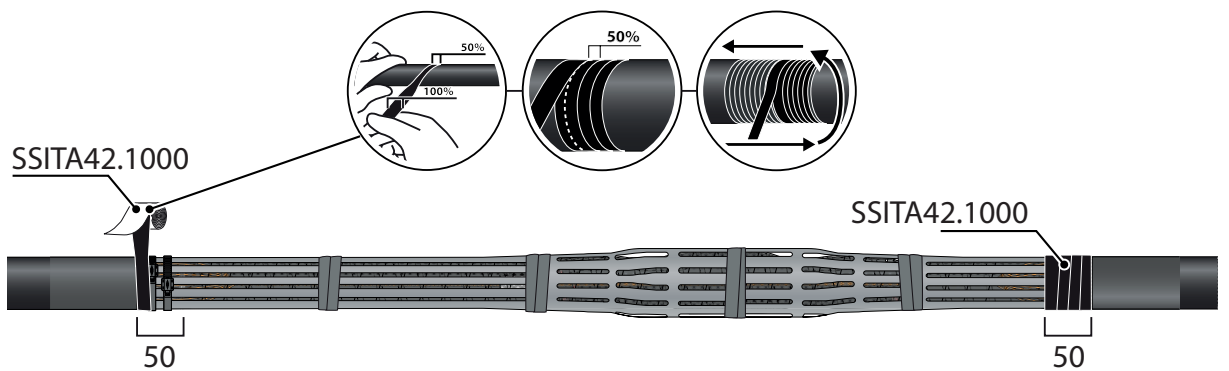
SSCL110



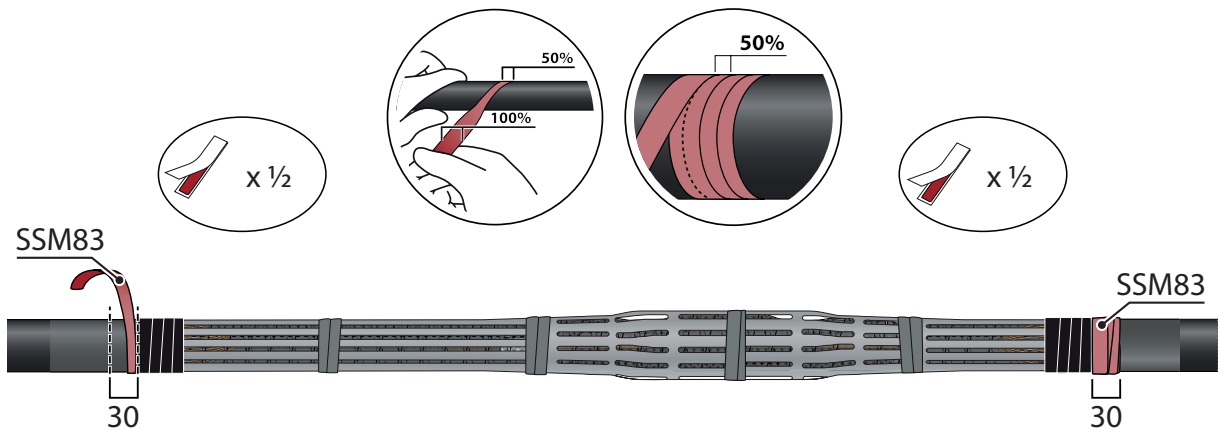
25



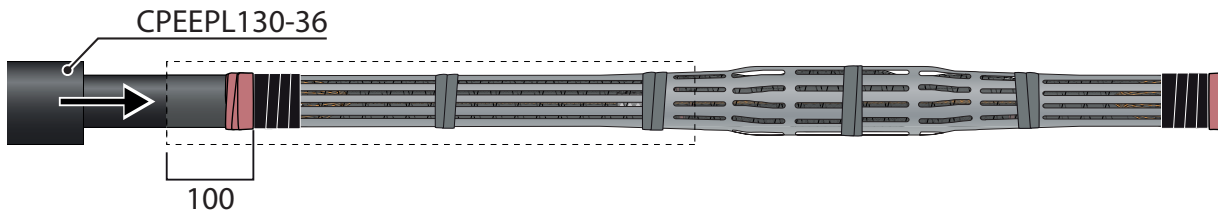
SSITA42.1000



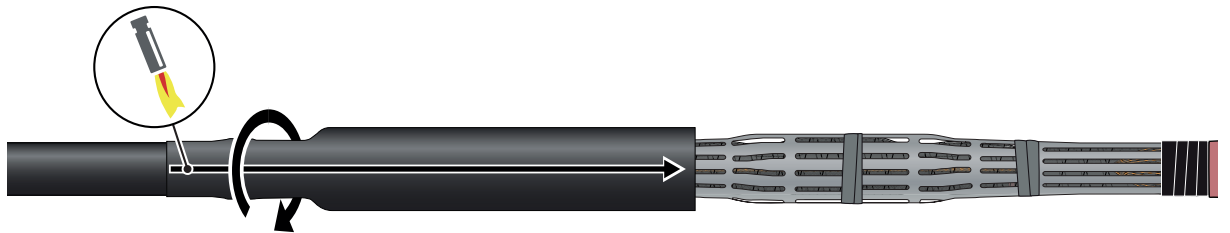
26



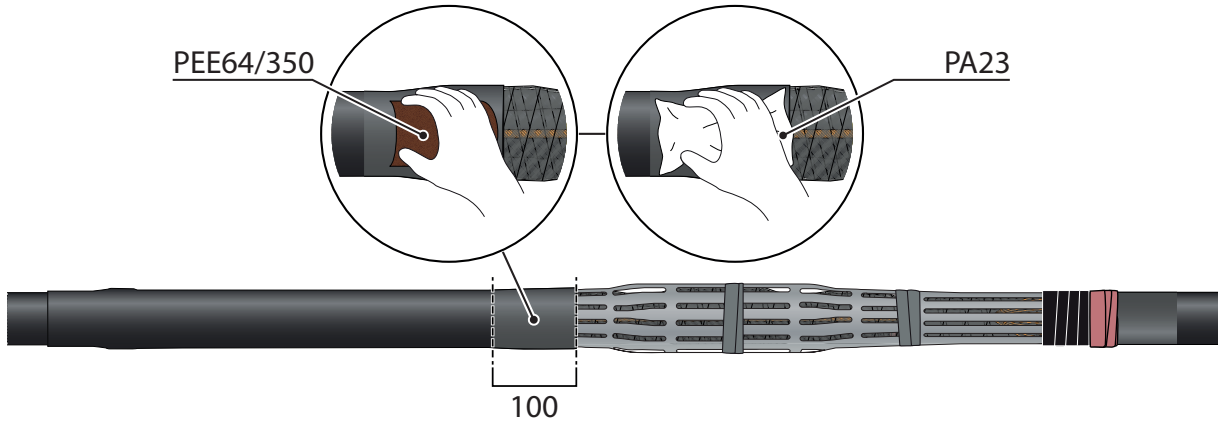
27



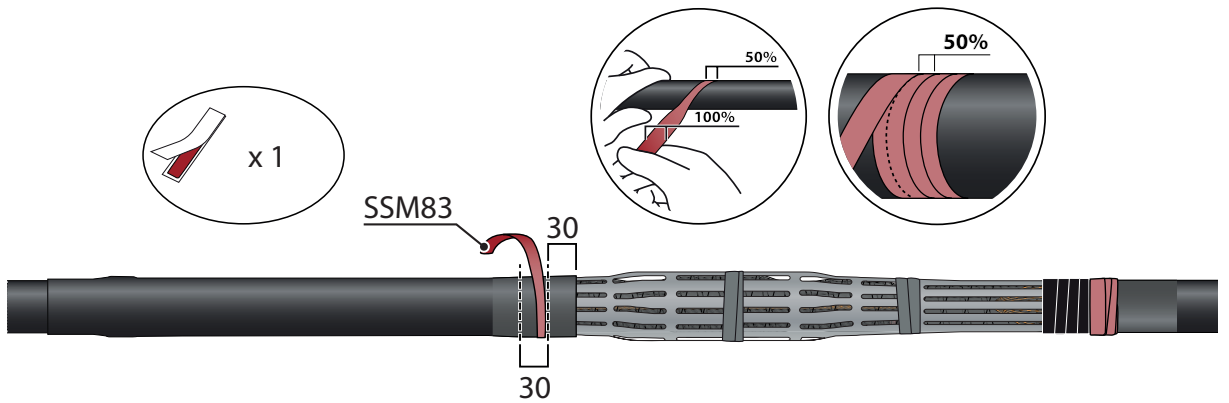
28



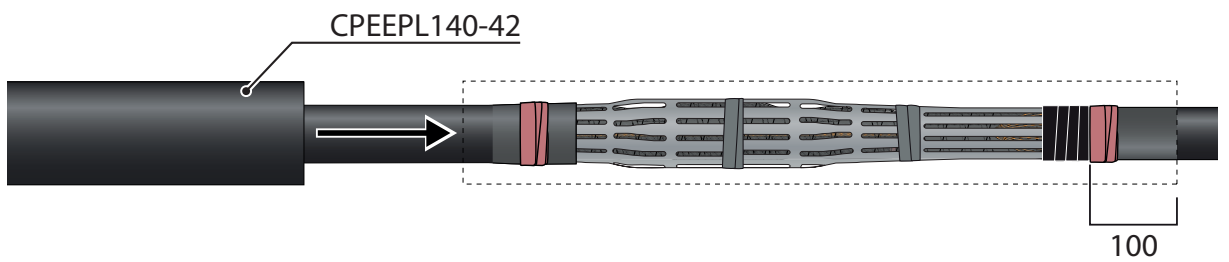
29



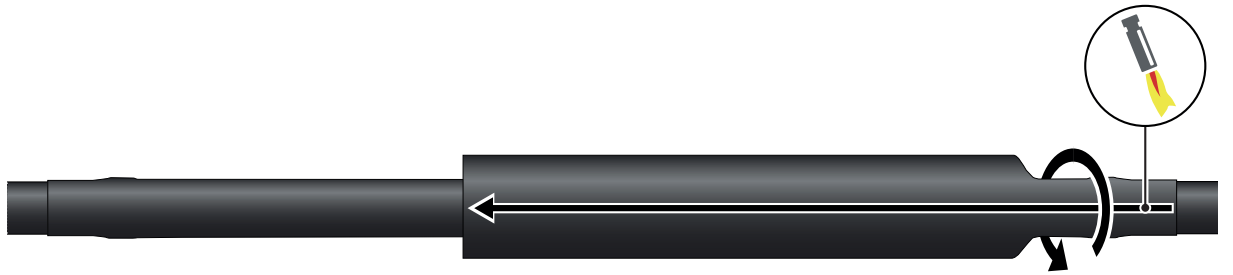
30



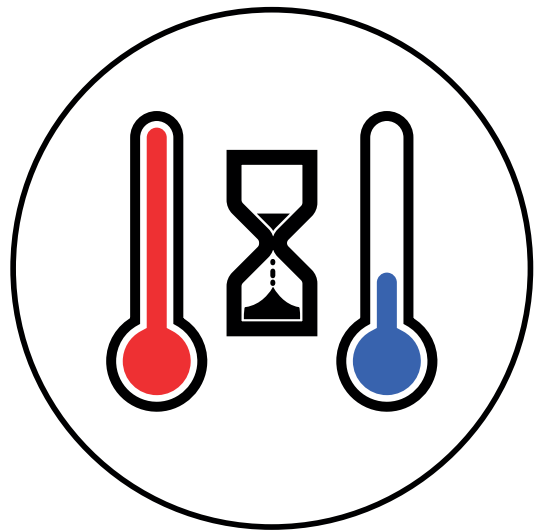
31



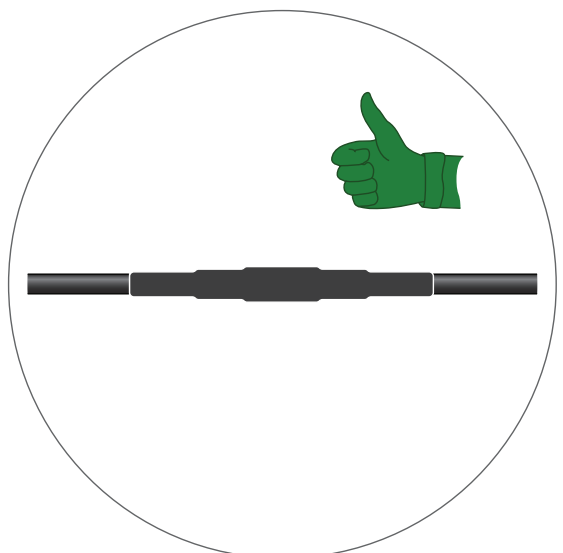
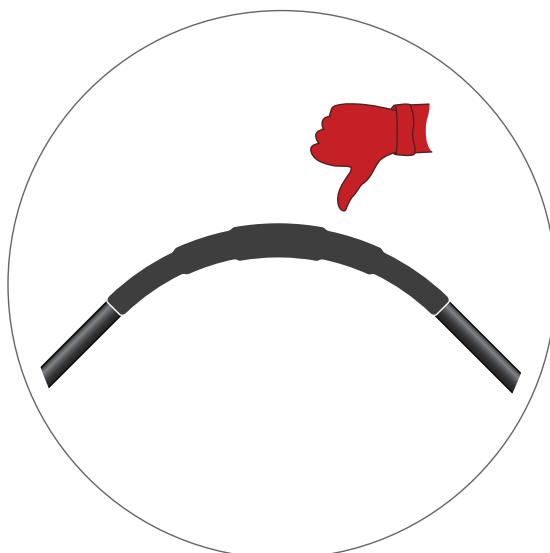
32



41



42



ENSTO