

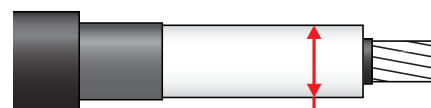




CJH11.2402C

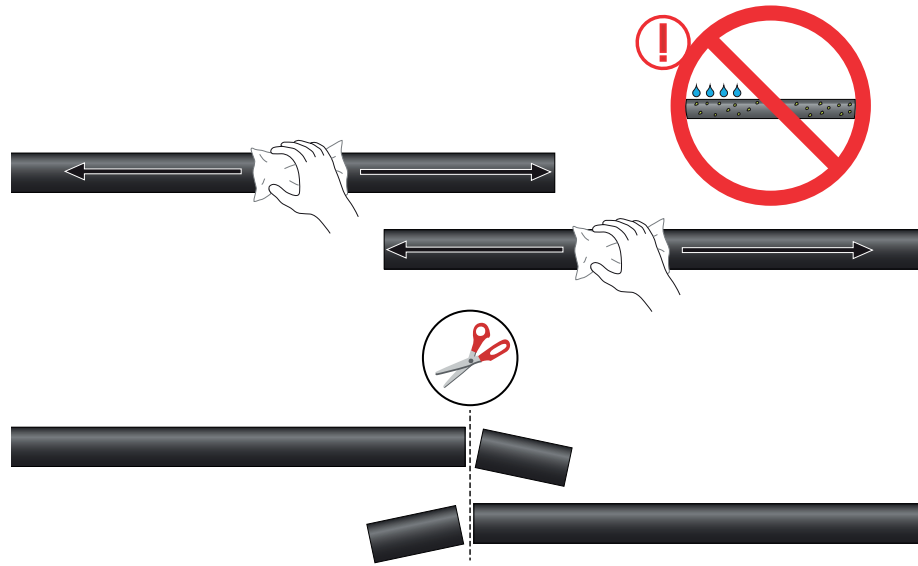
U_o/U_m (kV)	  mm^2
12.7/22 (24) kV	10-95
6.35/11 (12) kV	35-95



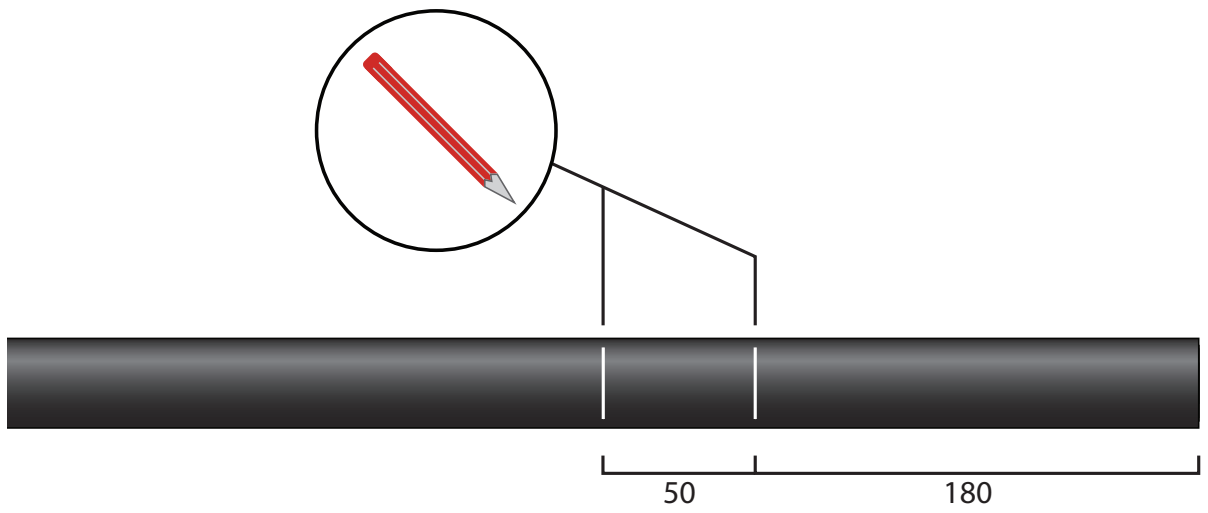
\varnothing : 13.8 ... 27.0 mm

	CSJM12-45/340-40L		1		PA23		1
	CPEEPL68-19	675 mm	1		PEE64.1	600 mm	1
	CA95SB2		1		PEE64	150 mm	1
	SF2		2		PEE225W		1
	PEE226/550		1		PEM-CJH11_2402C		1
	ALT25/100		1				
	SACTA20.2		2				
	SMG200		1				
	SSATA10		1				
	RFL15 MPA21		1 1				
	CT149		2				

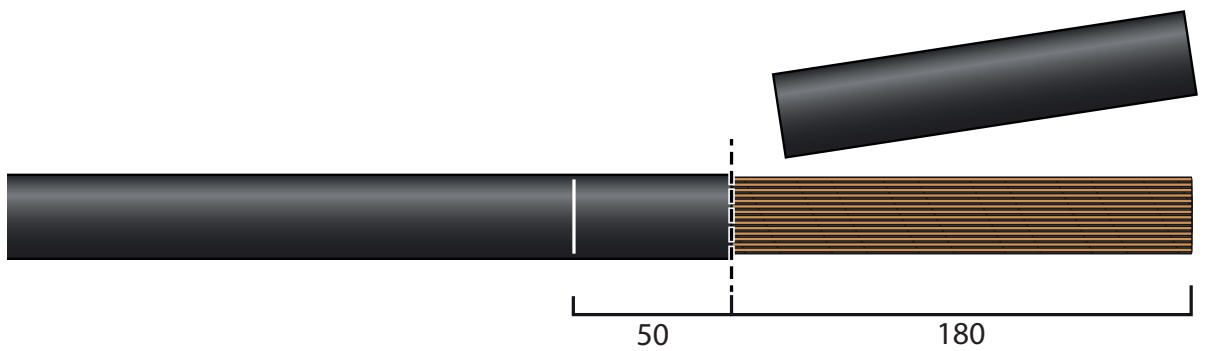
1



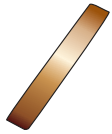
2



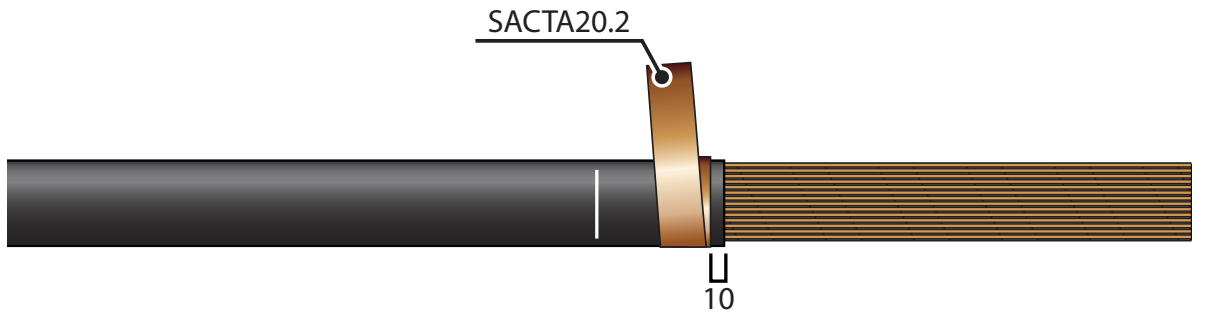
3



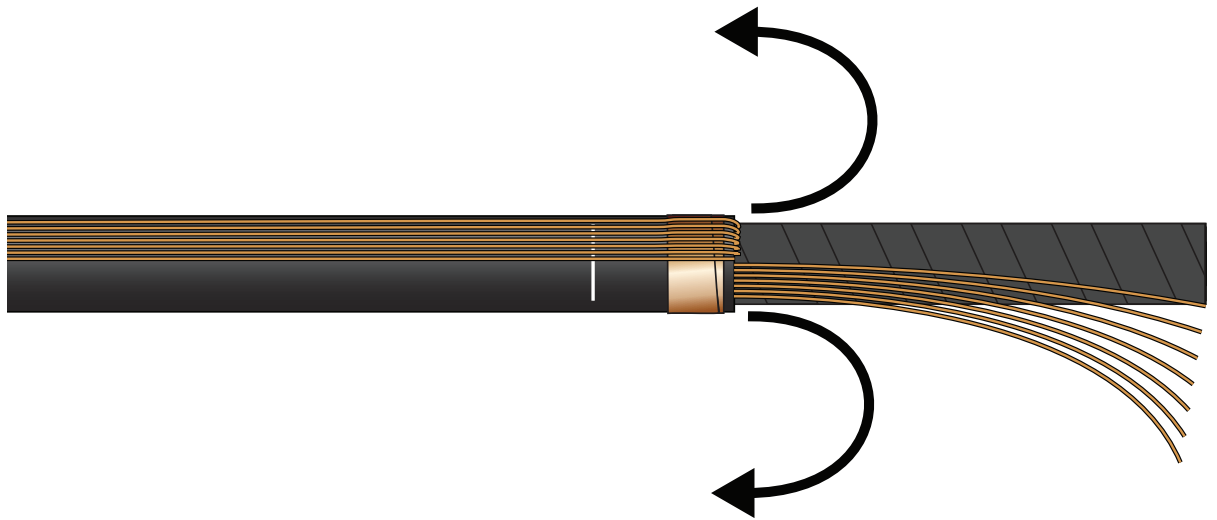
4



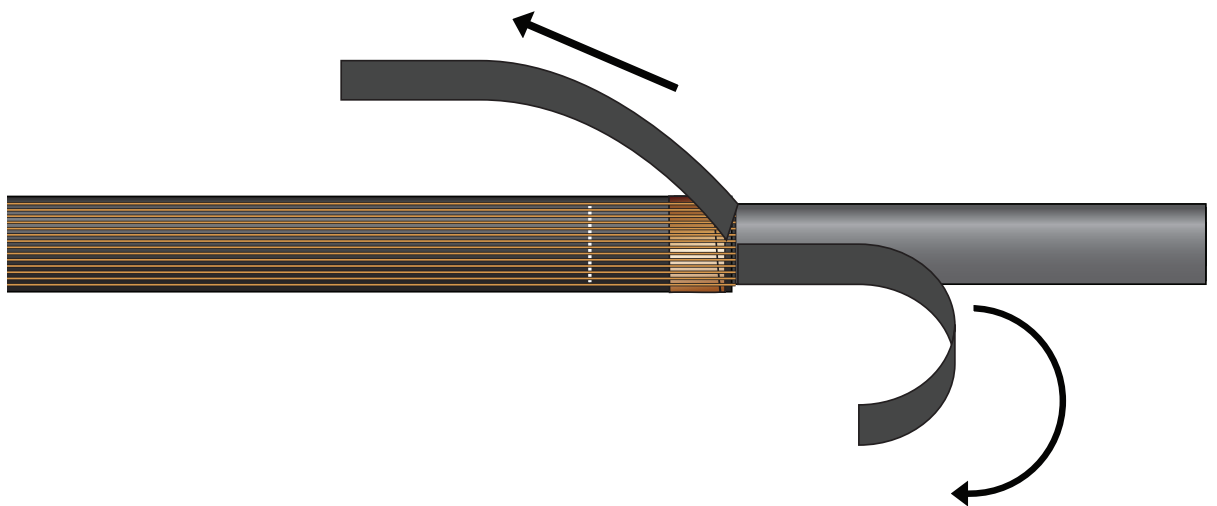
SACTA20.2



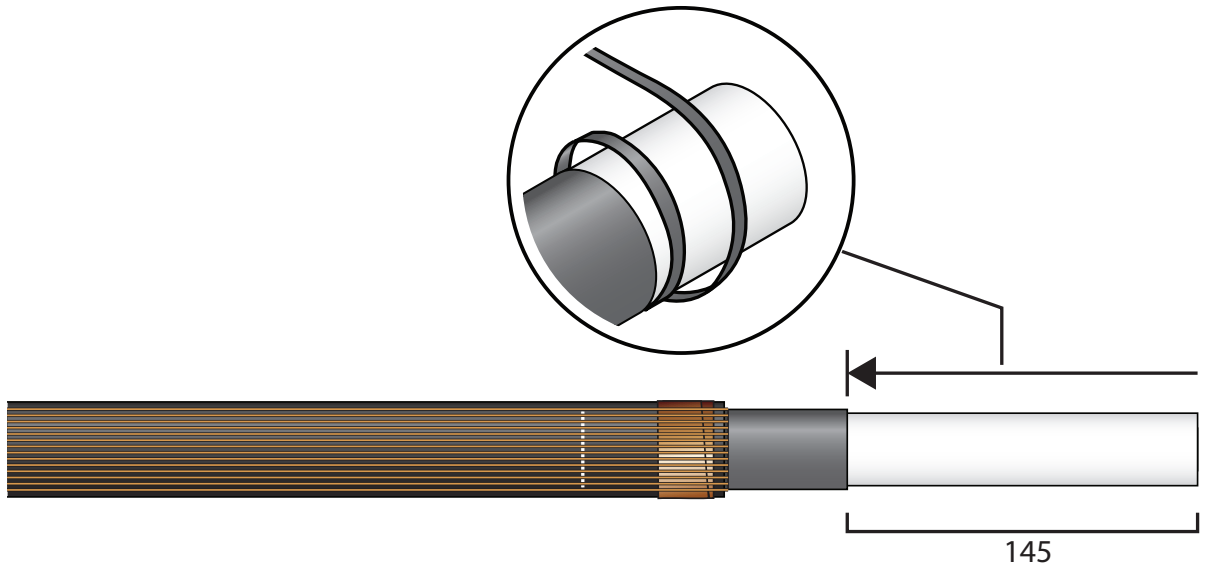
5



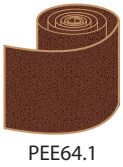
6



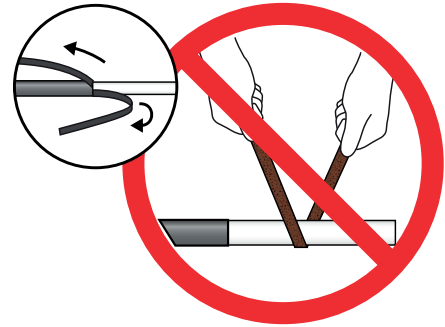
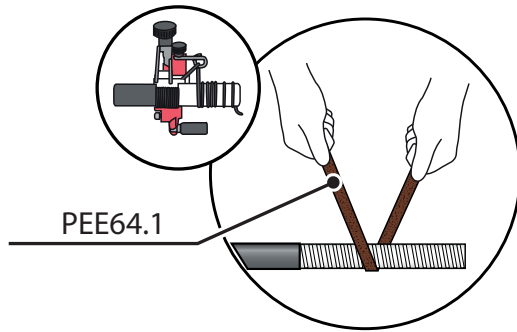
7



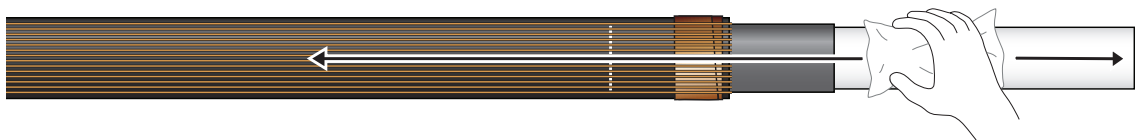
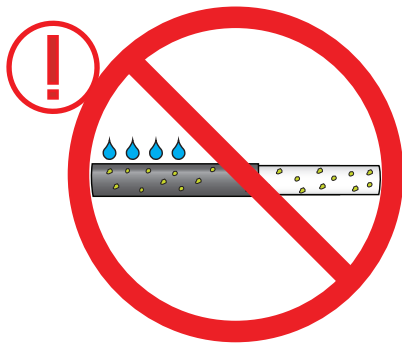
8



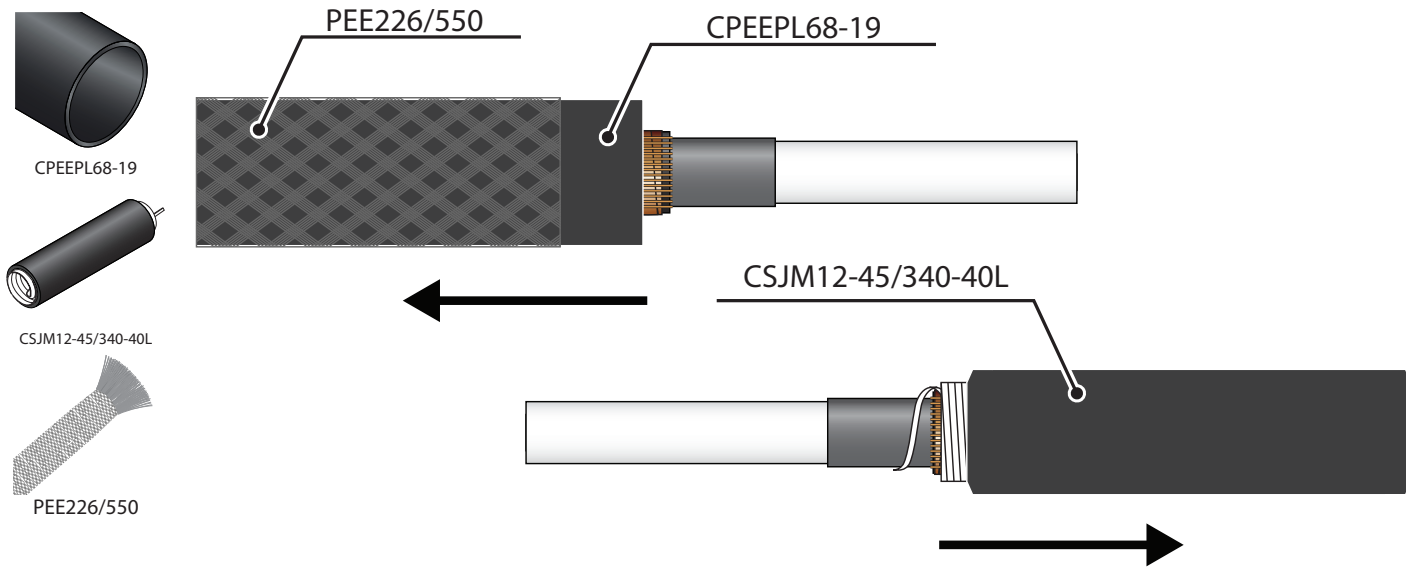
PEE64.1



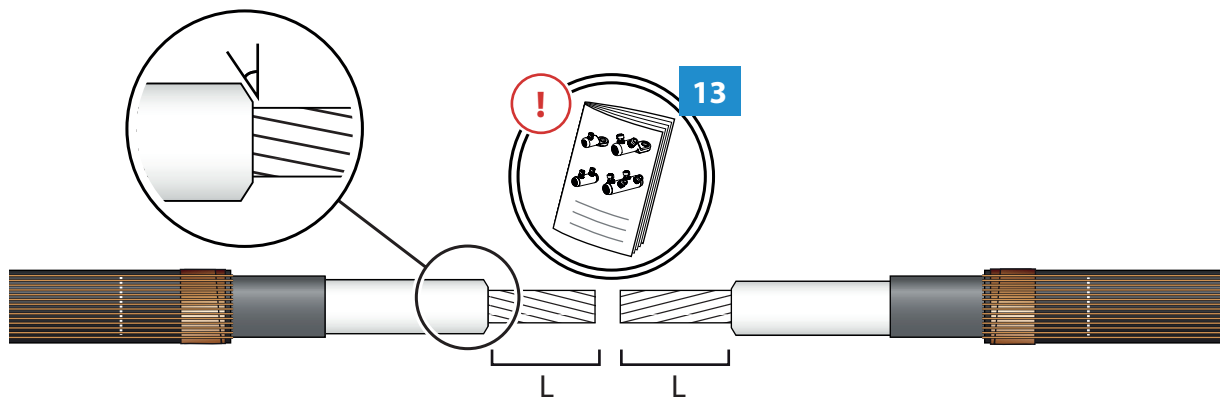
9



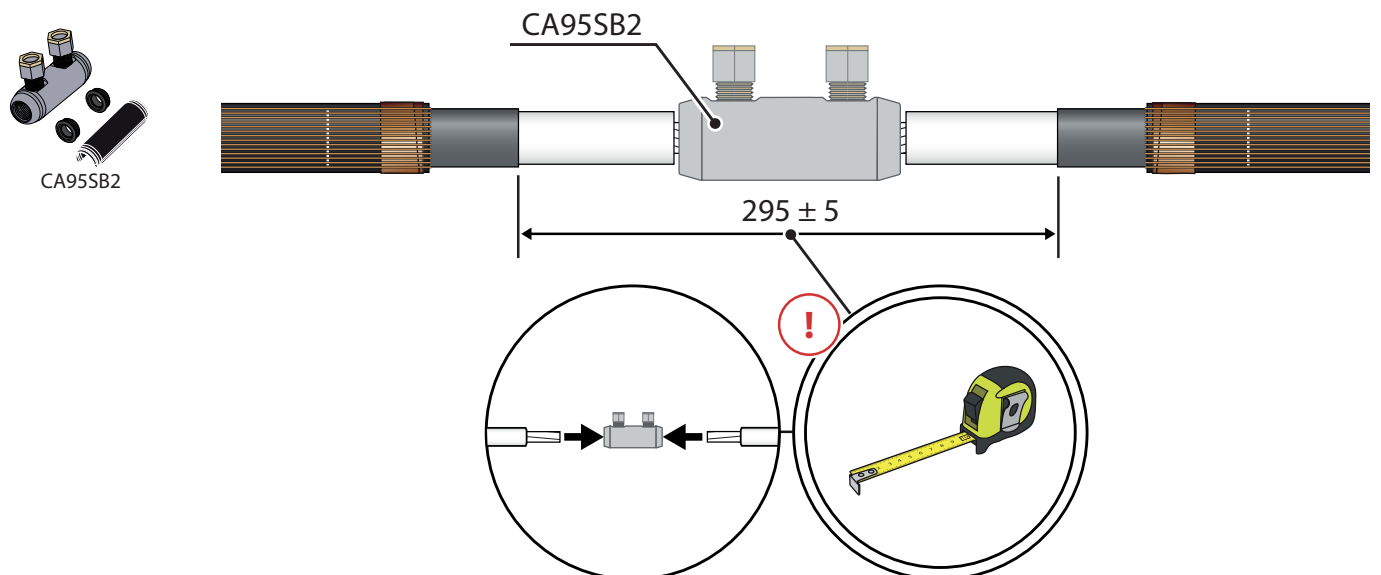
10



11

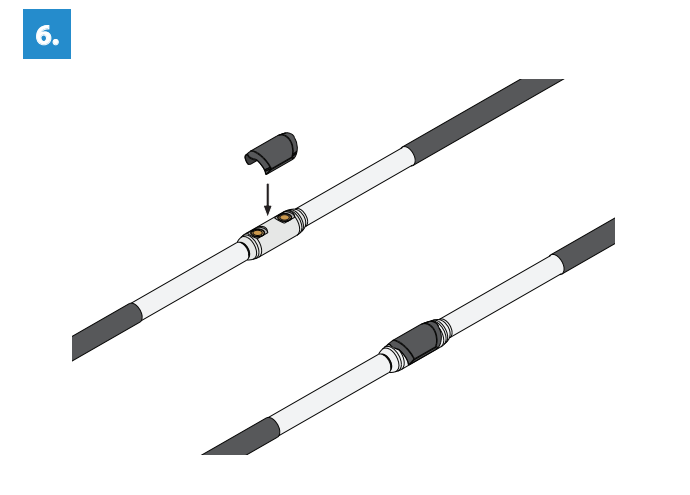
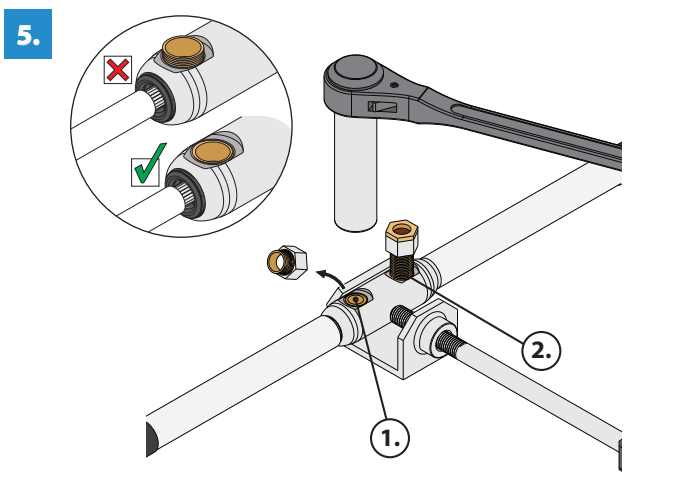
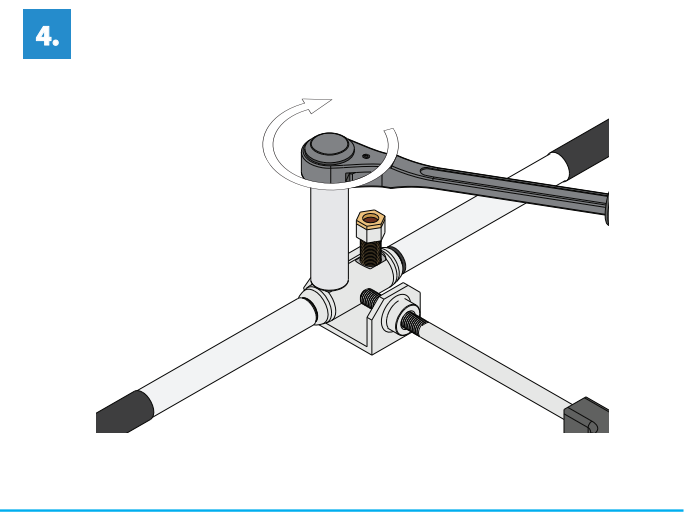
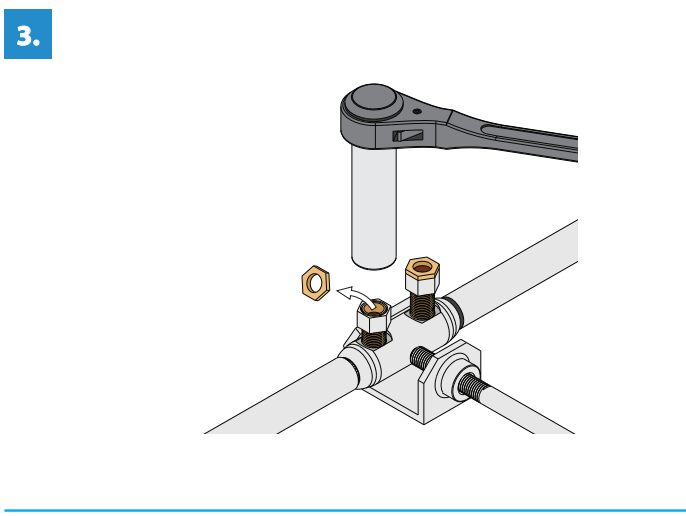
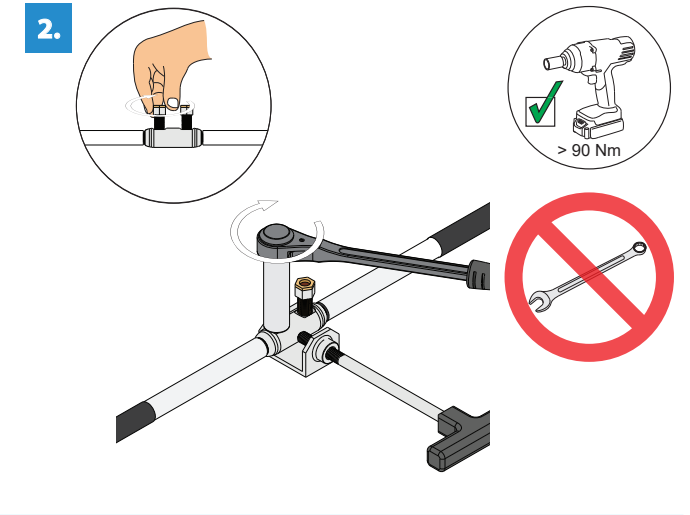
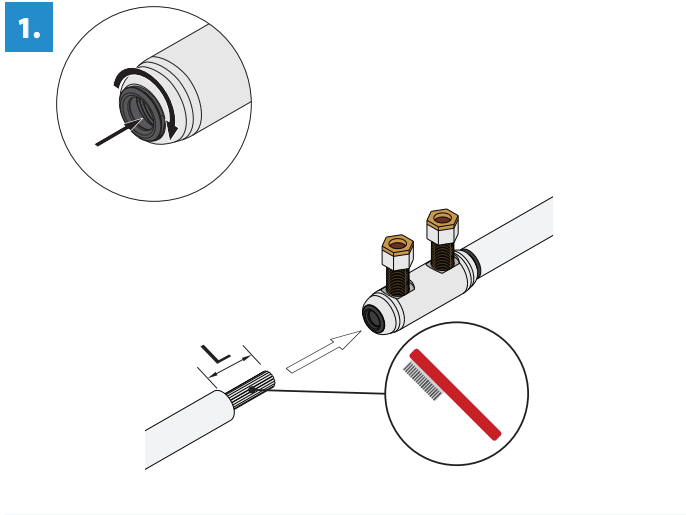


12





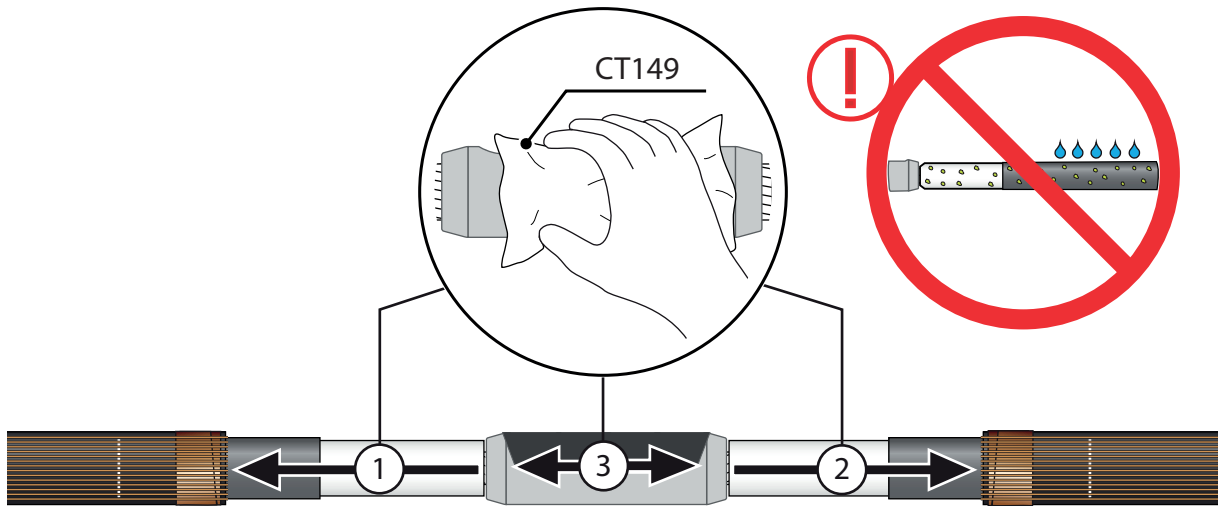
	mm	mm ²	mm ²	mm ²	mm	mm ²	mm
CA95SB2	3.6-12	10-95	90° 10-70 120° 10-50	90° 10-70 120° 10-50	35	10 - 50	d = 15 L _{min} = 26



14



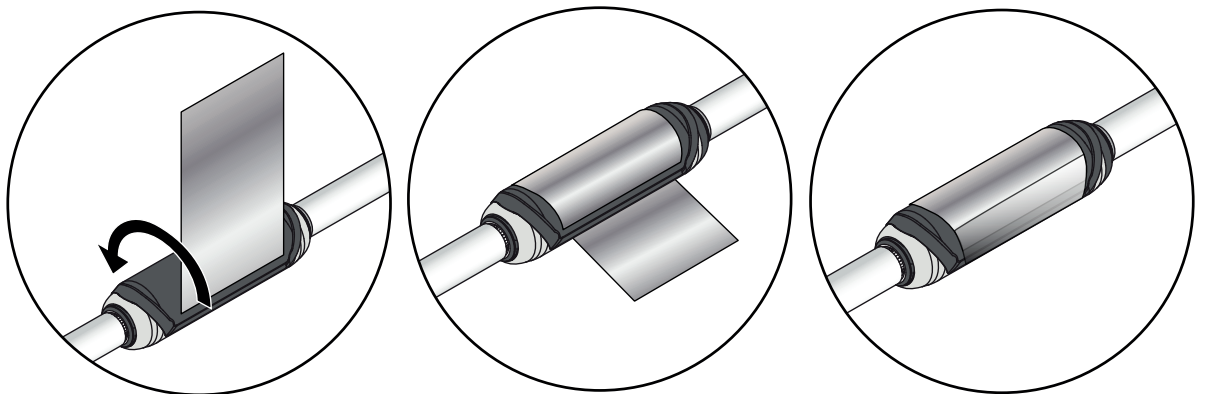
CT149



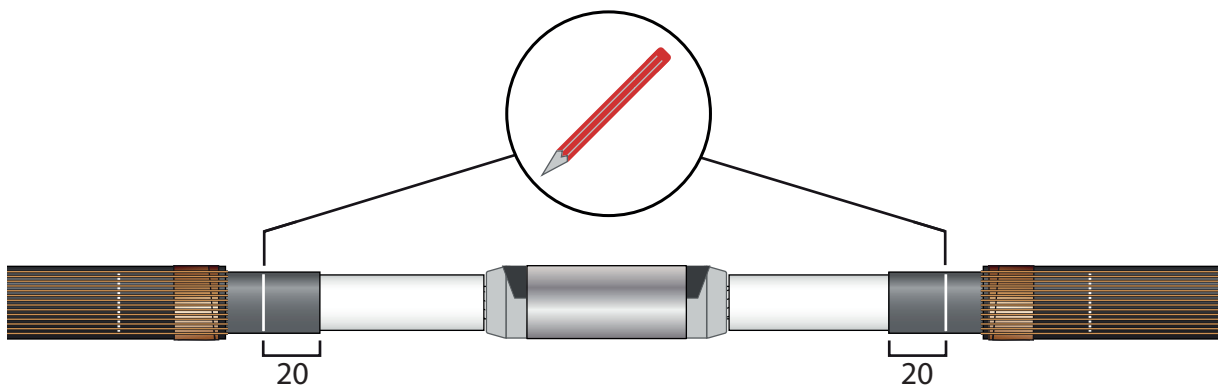
15



ALT25/100



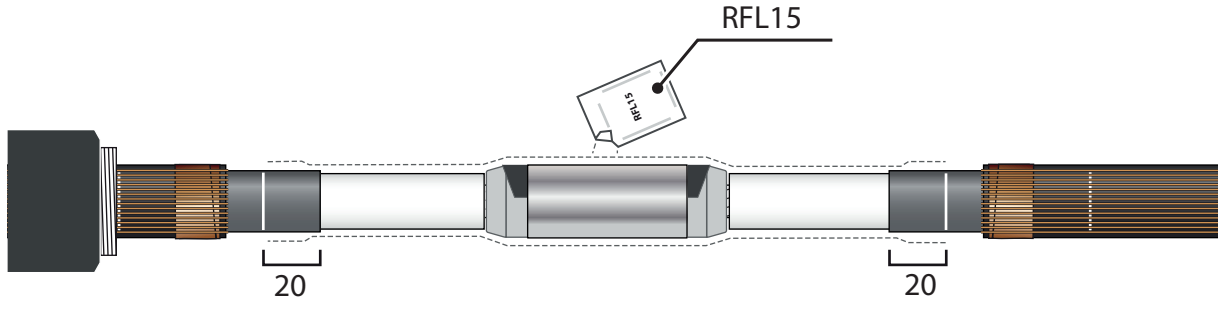
16



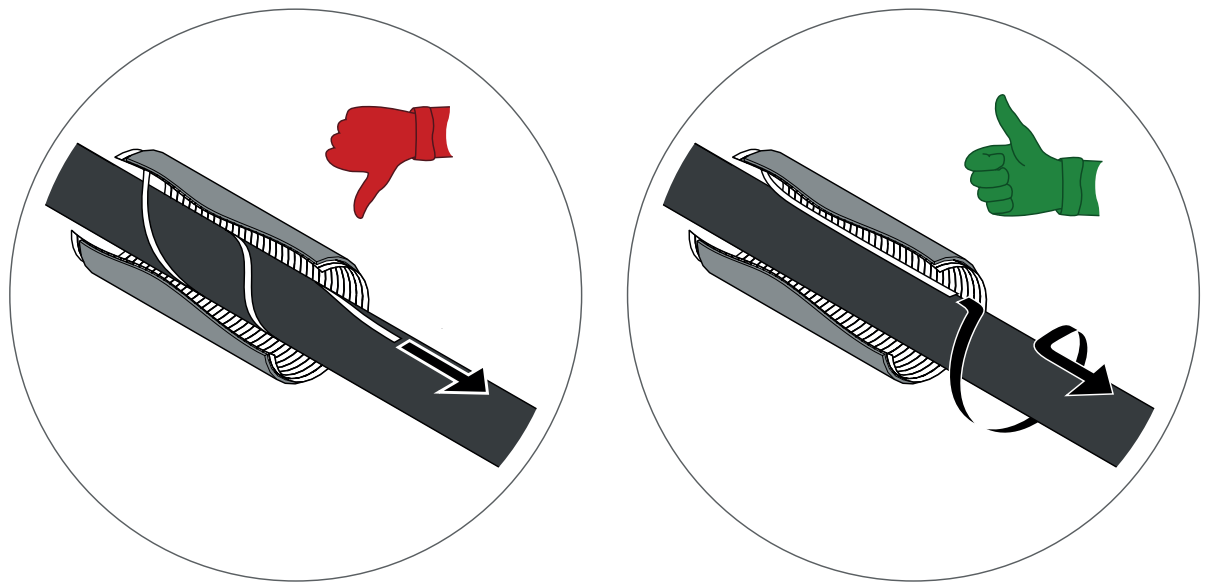
17



RFL15



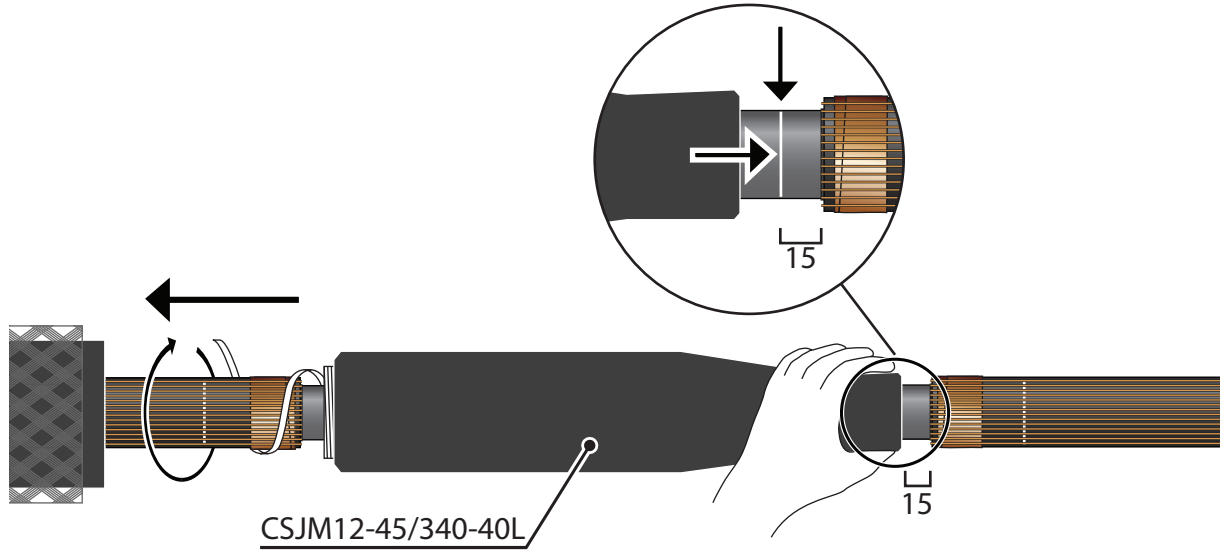
18



19



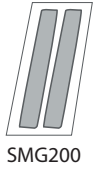
CSJM12-45/340-40L



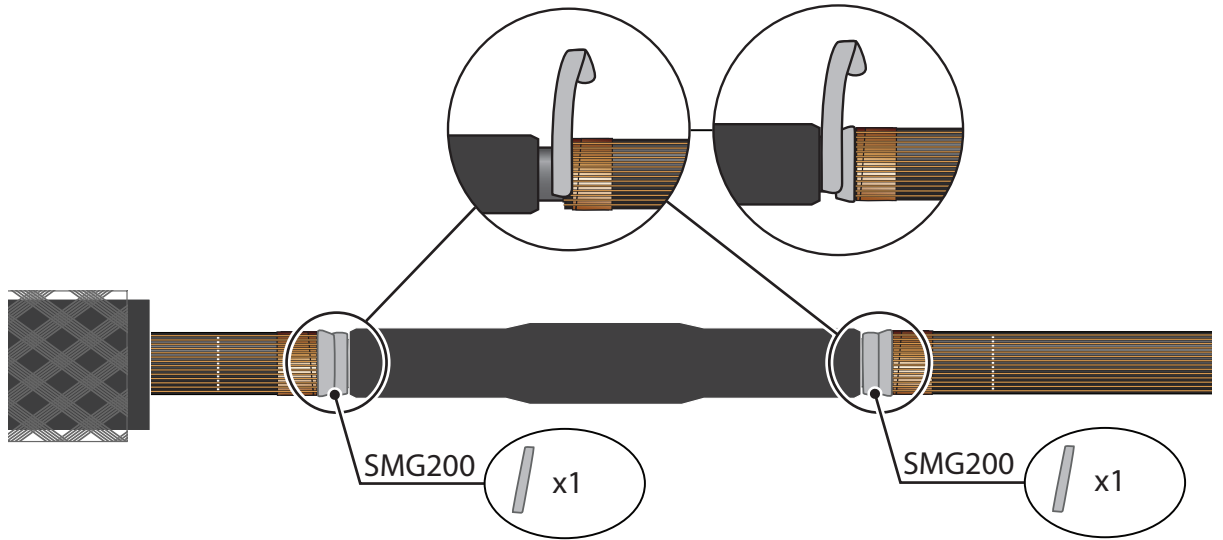
20



21



SMG200



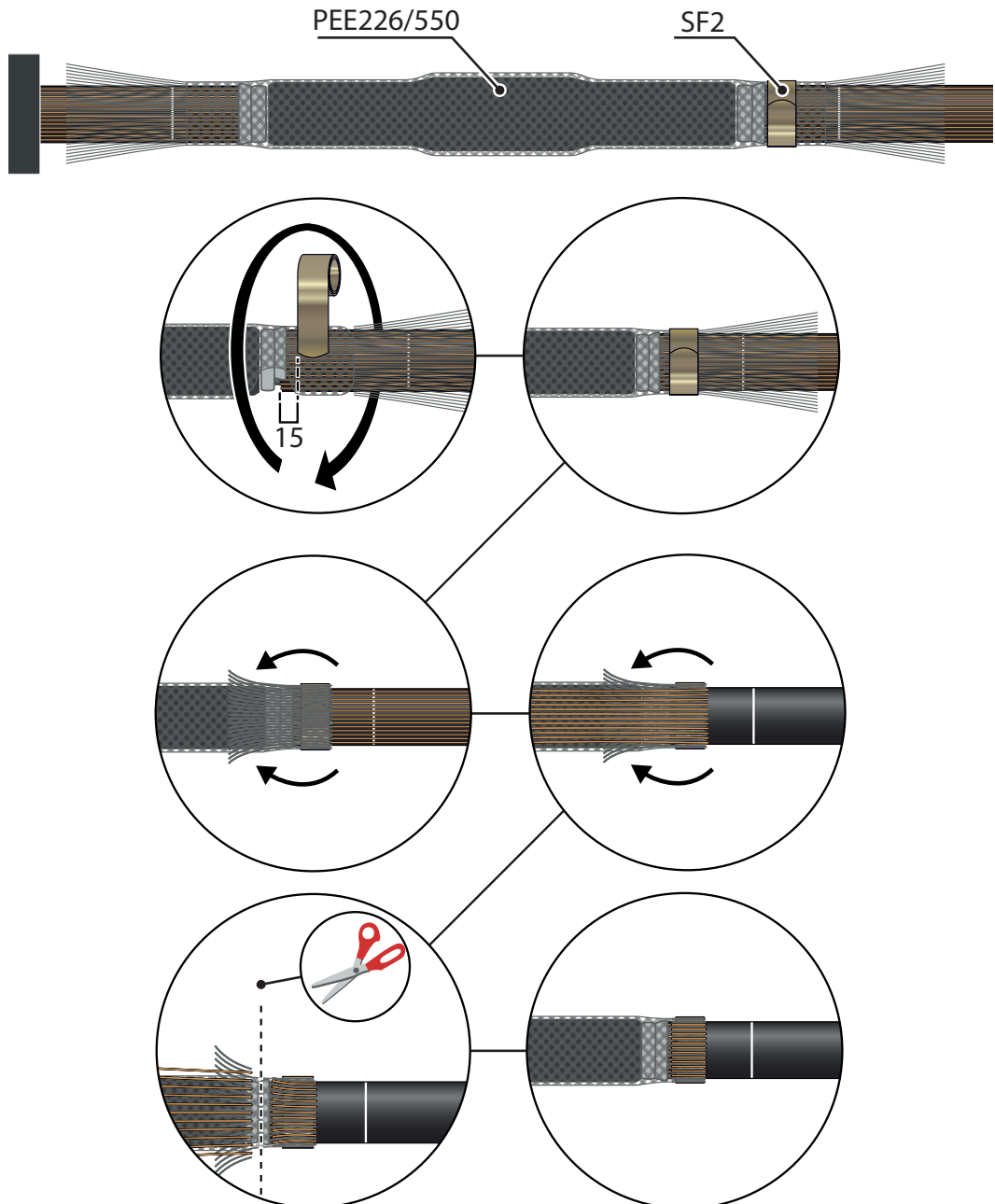
22



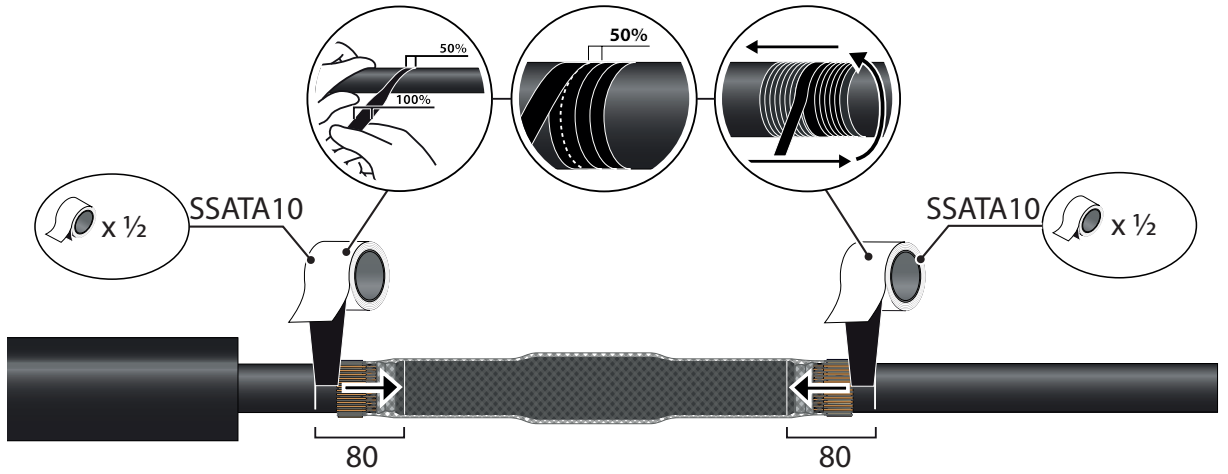
PEE226/550



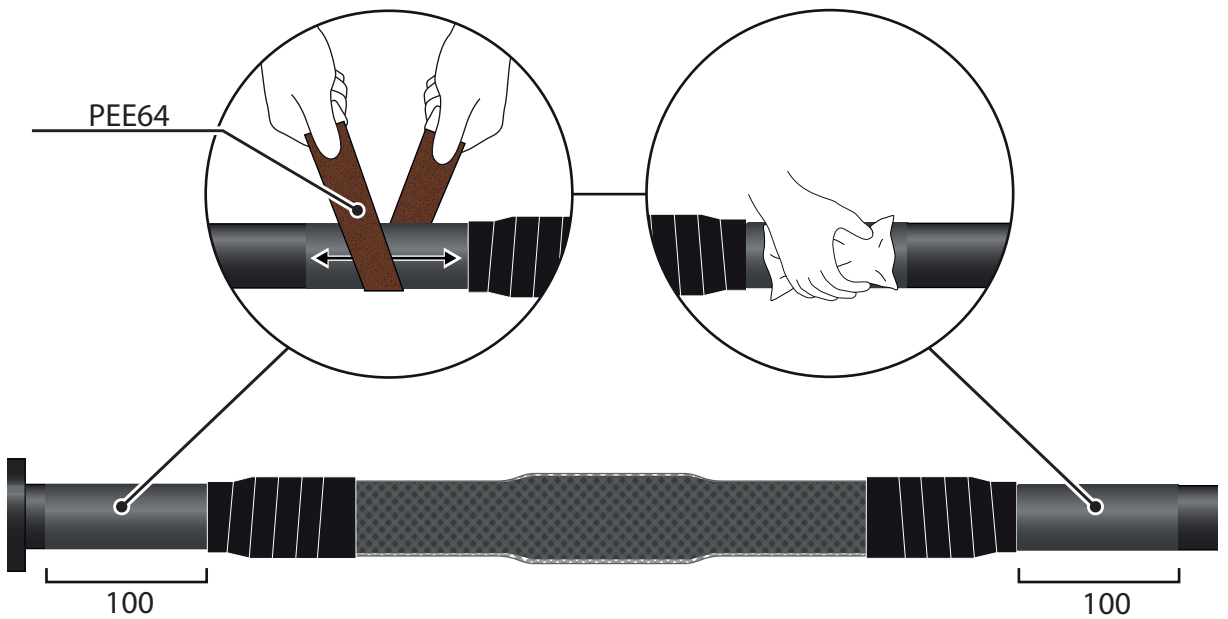
SF2



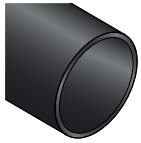
23



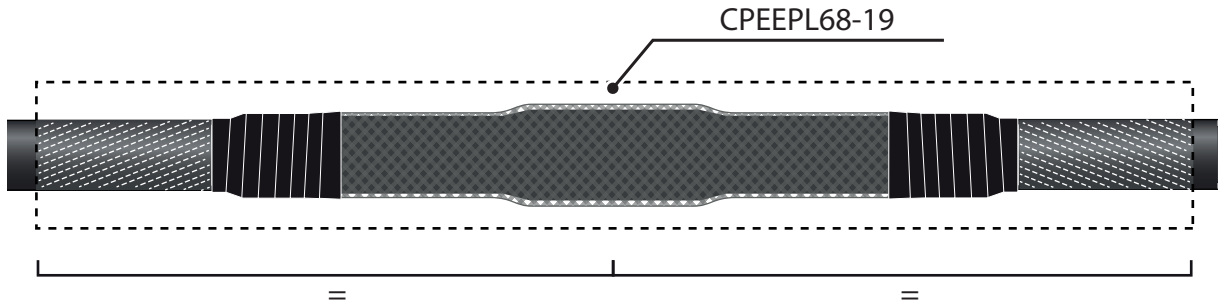
24



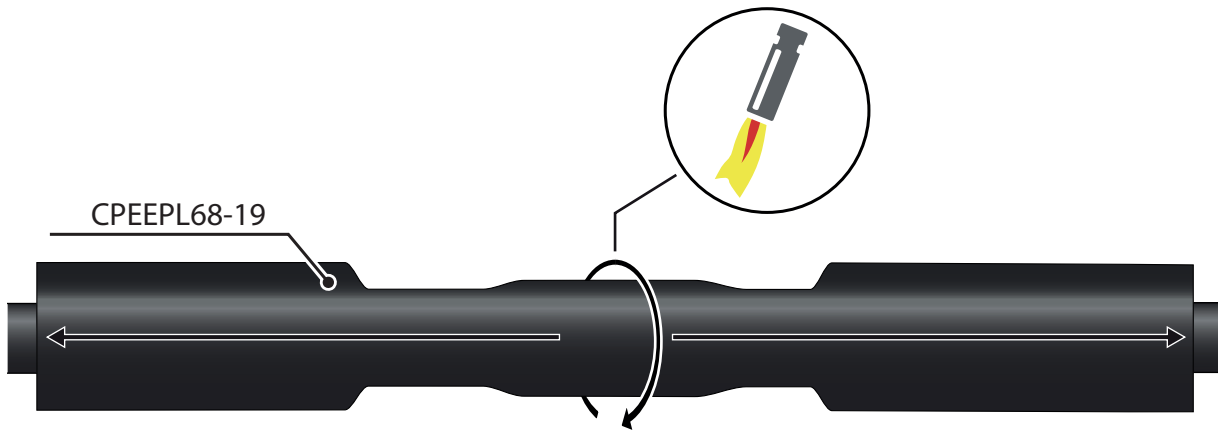
25



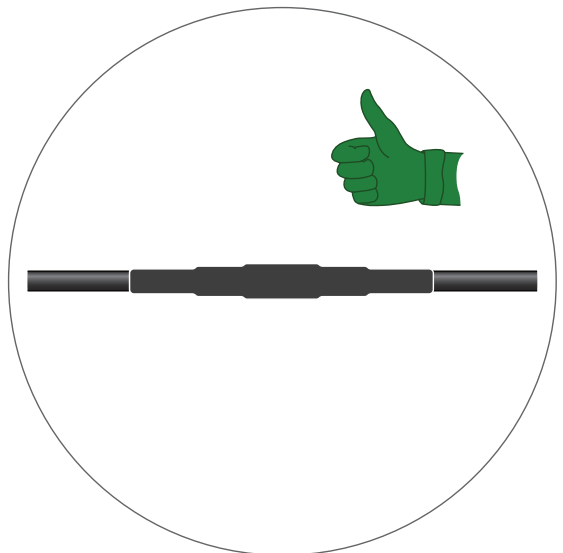
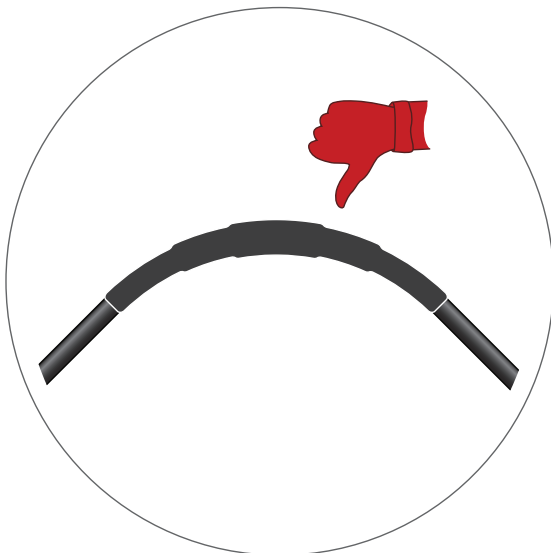
CPEEPL68-19



26



27



ENSTO