


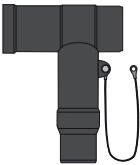

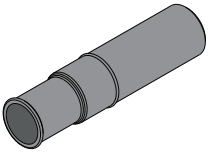
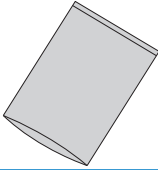

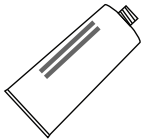
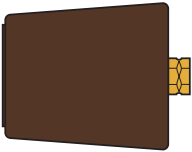

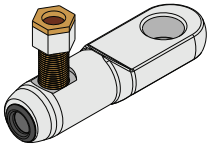


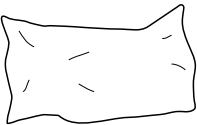
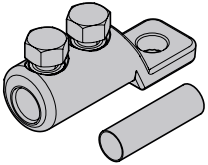
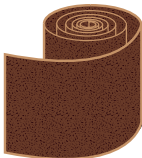
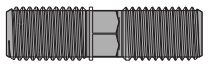




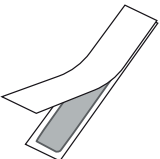


CONT630-24L95

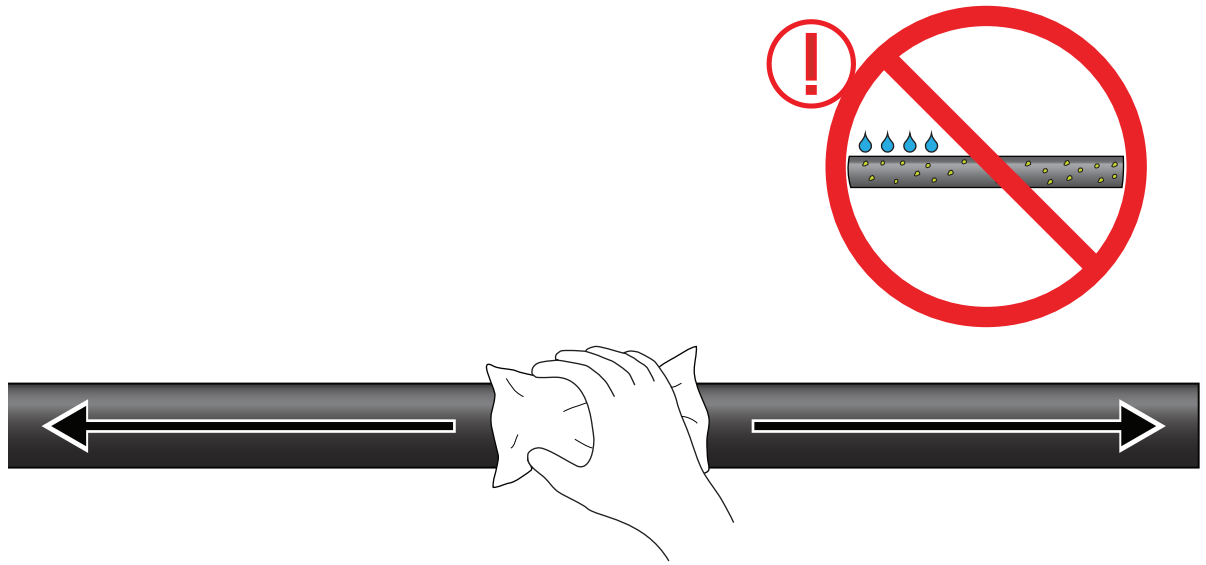
U_o/U_m (kV)	 mm^2
12.7/22 (24) kV	10-95
6.35/11 (12) kV	25-95



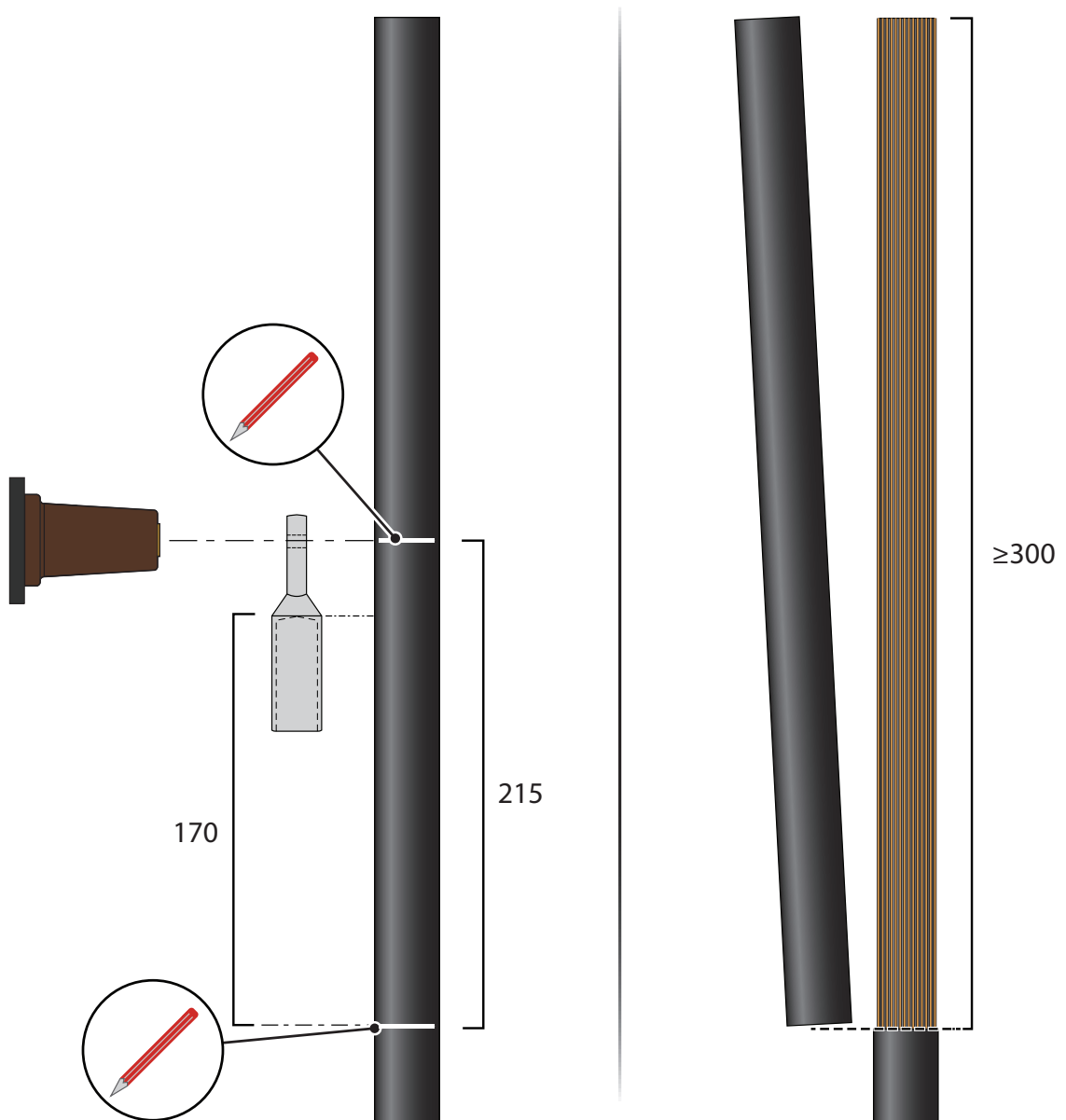
$\varnothing: 12.7 \dots 25.2 \text{ mm}$

	CBC630-36		3		PEE225W		1
	CBSC12-38		3		PEE247		3
	CBC630CC		3		RFL15.4		1
	PMSA2		3		MPA21		6
	LA95C30SB1		3		CT149		6
	PMR3258		3		PA23		1
	LUG6-50/12LVTIN		3		PEE64.1	600 mm	2
	PTS397		3		PER31		1
	PUM52		3		PEM-CONT630-24L95		1
	PUJ34		3				
	SMG100	100 mm	6				

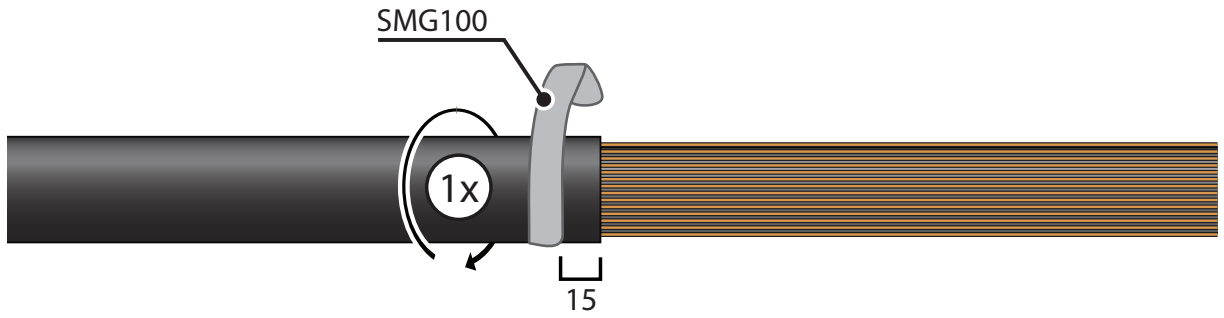
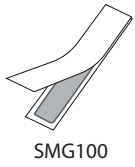
1



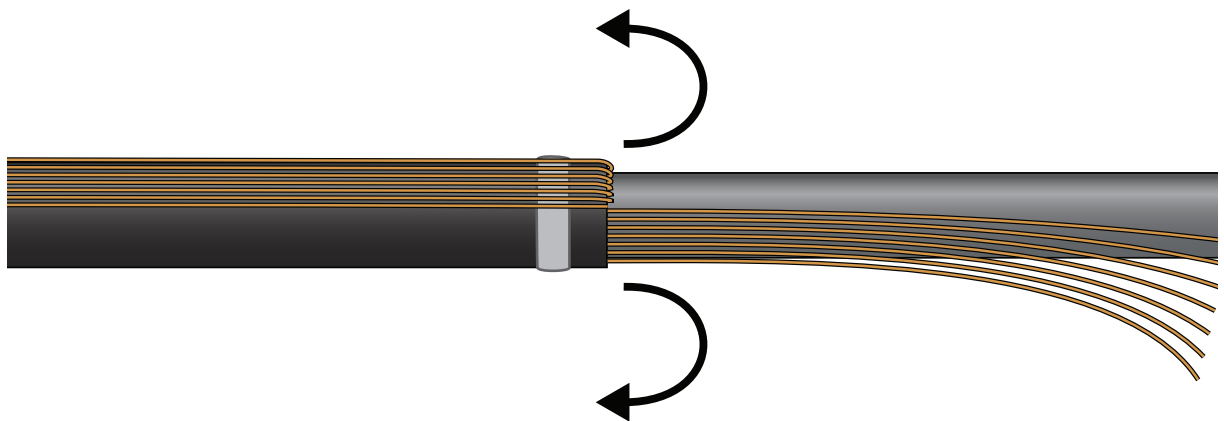
2



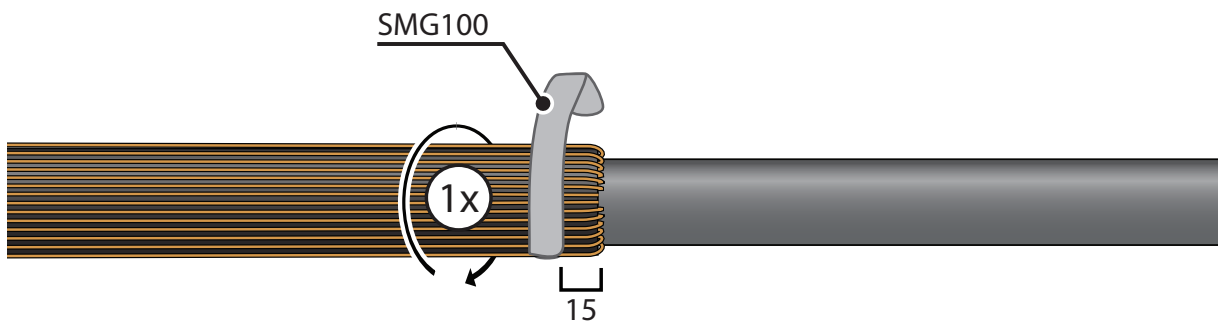
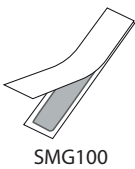
3



4



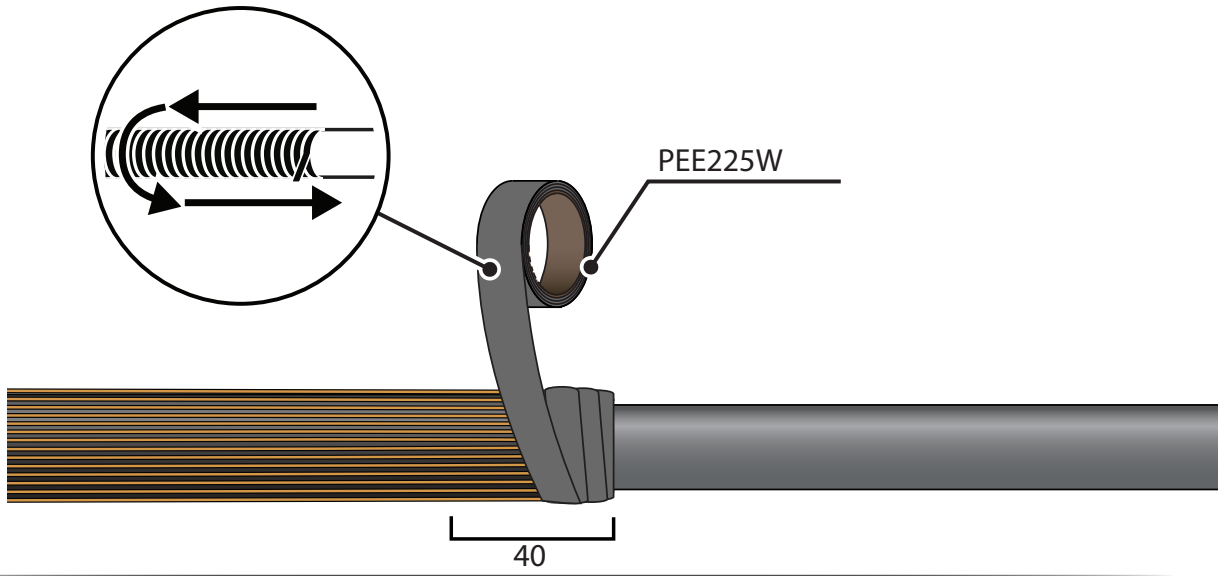
5



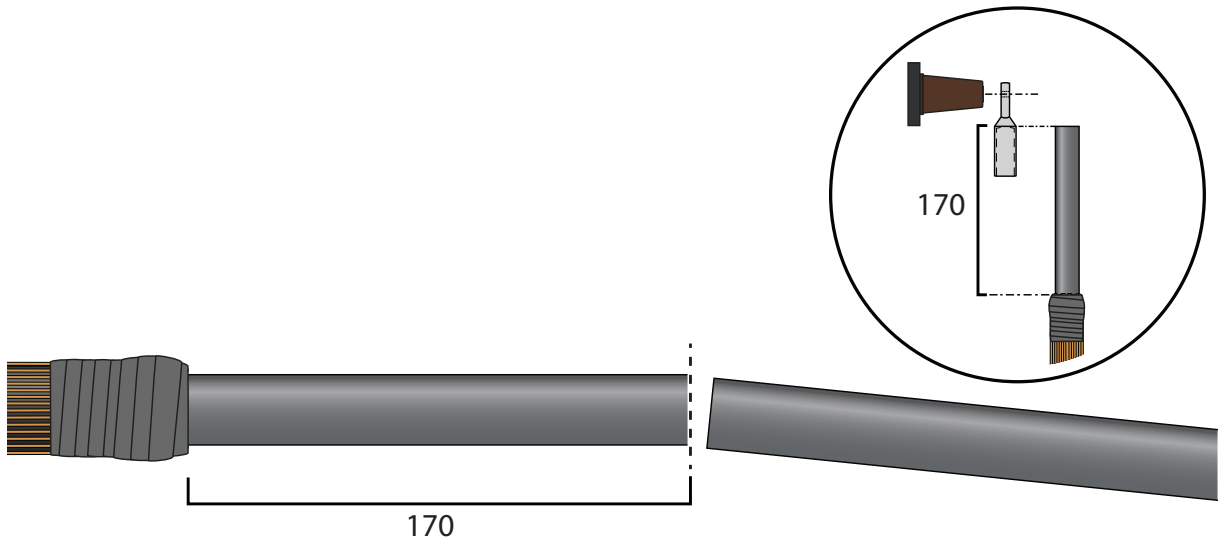
6



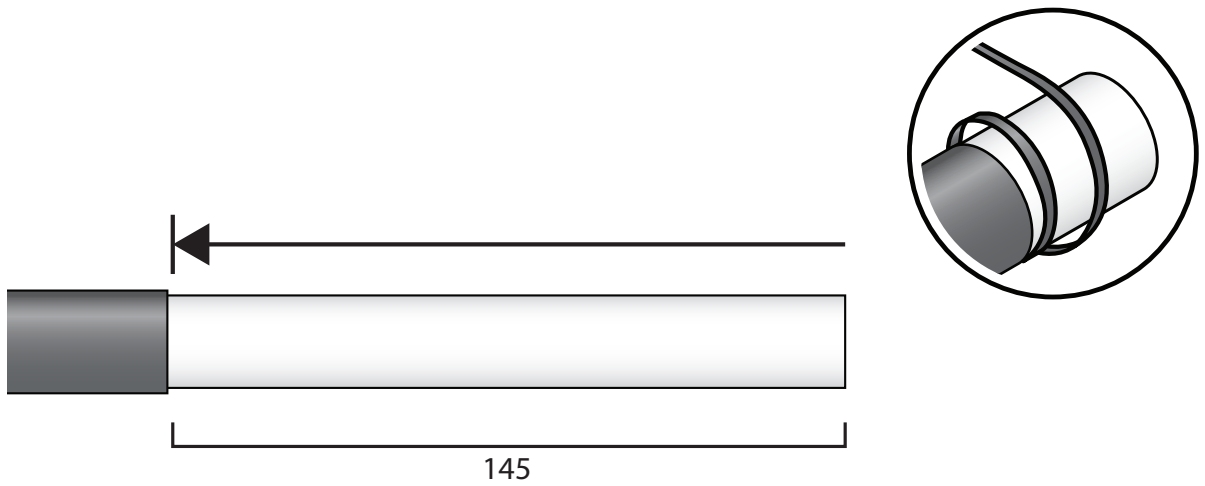
PEE225W



7



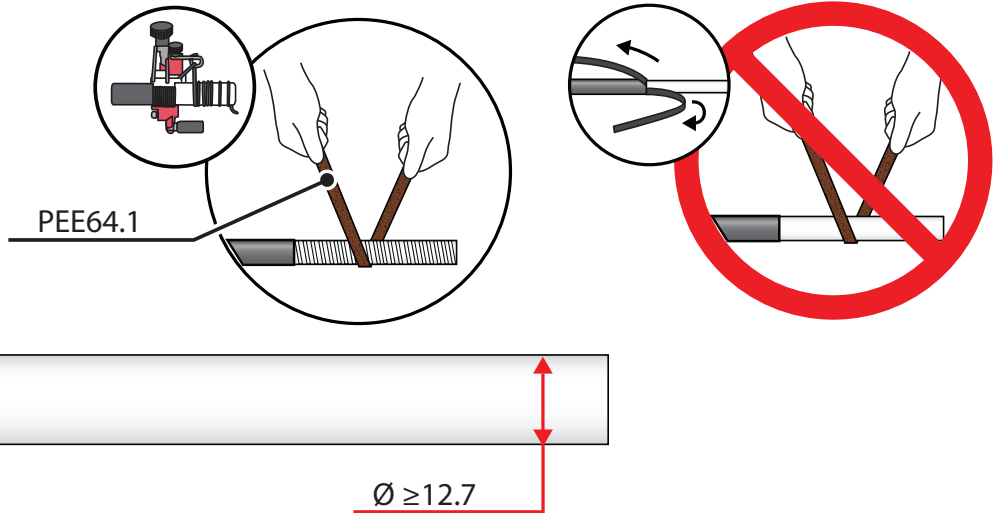
8



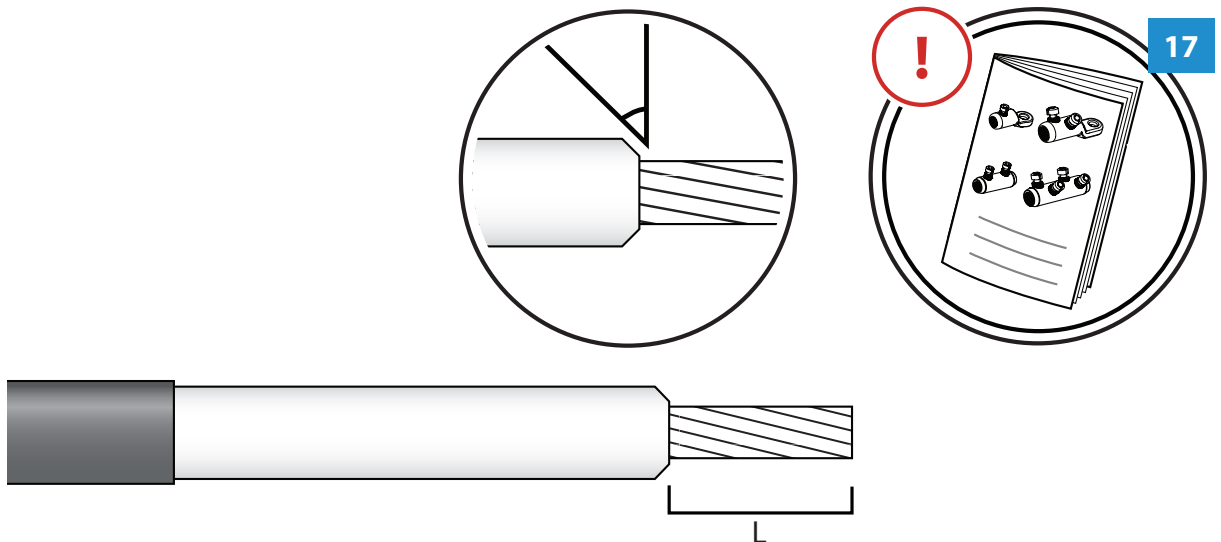
9



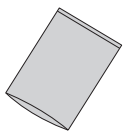
PEE64.1



10



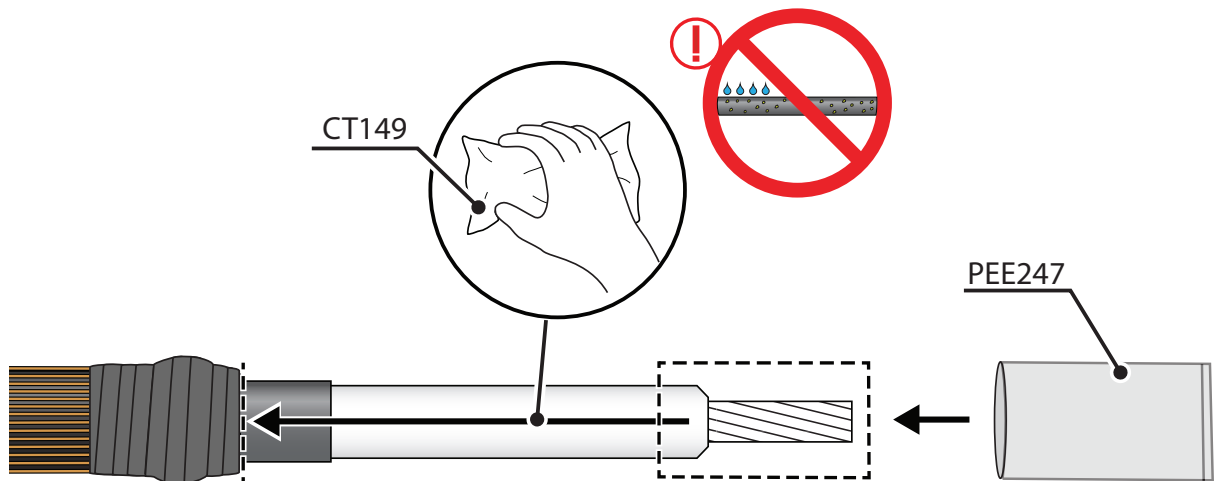
11



PEE247



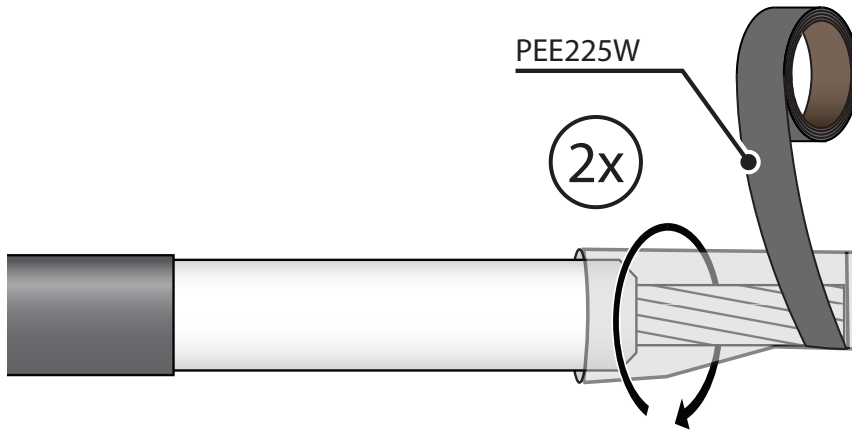
CT149



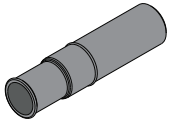
12



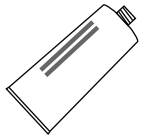
PEE225W



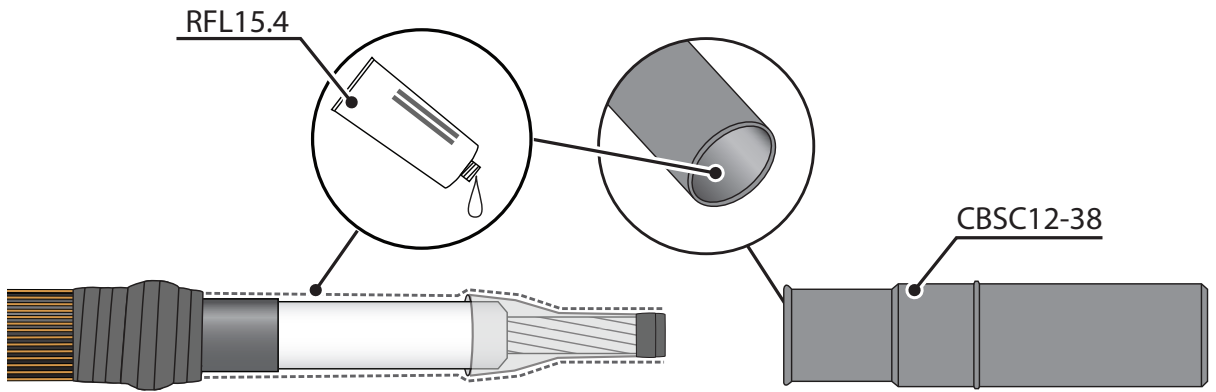
13



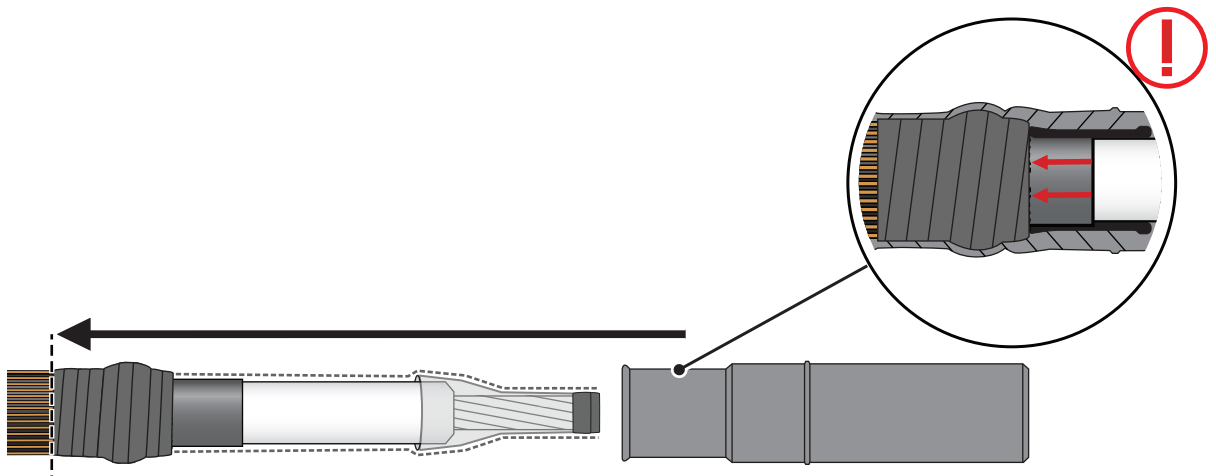
CBSC12-38



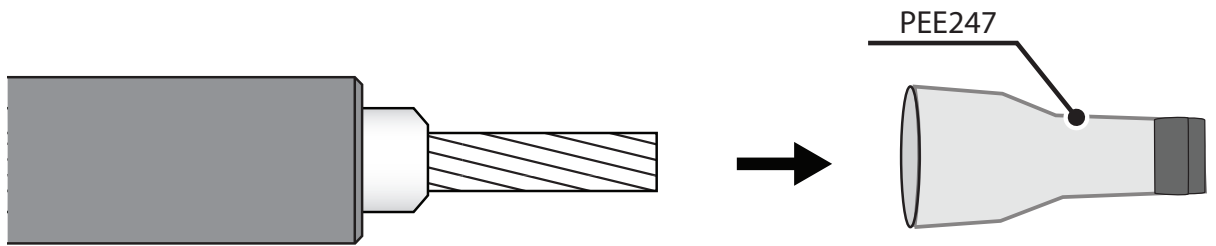
RFL15.4



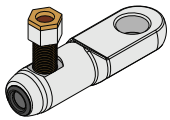
14



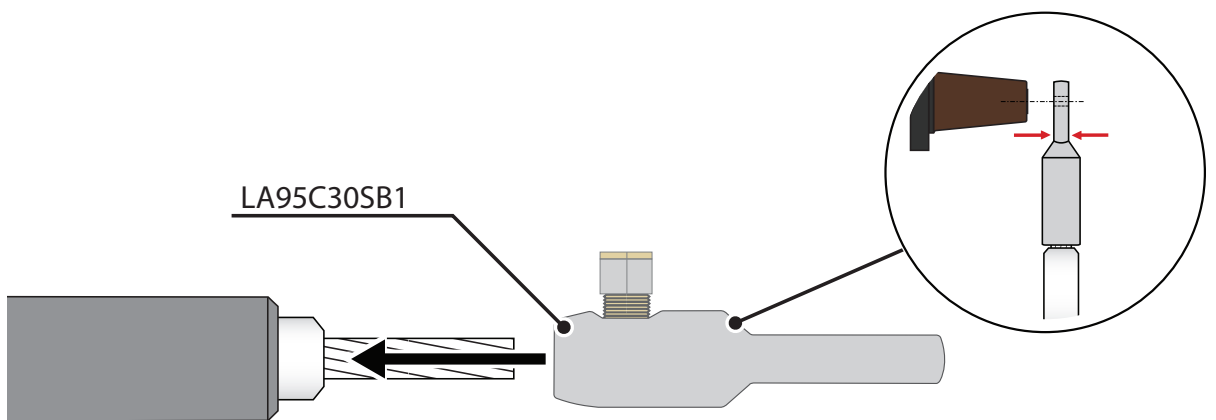
15



16

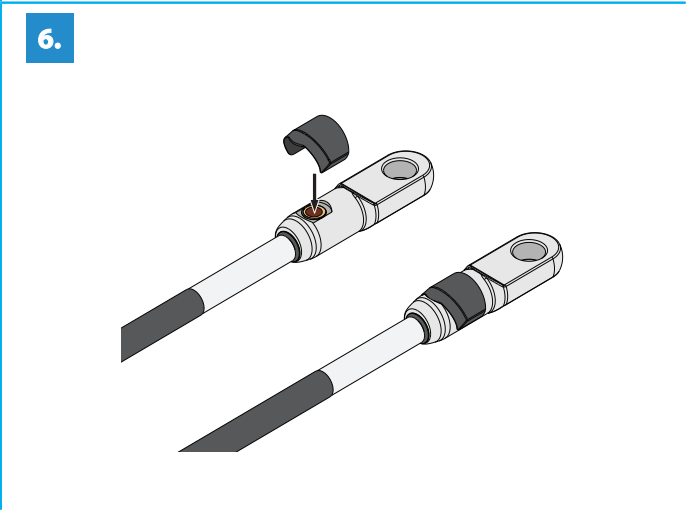
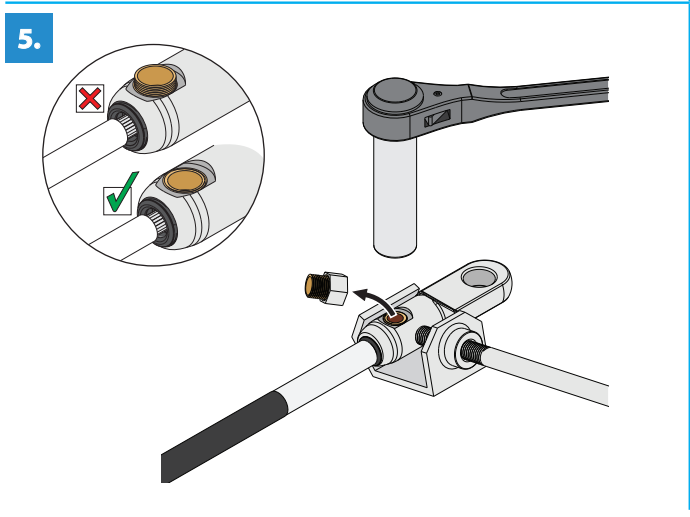
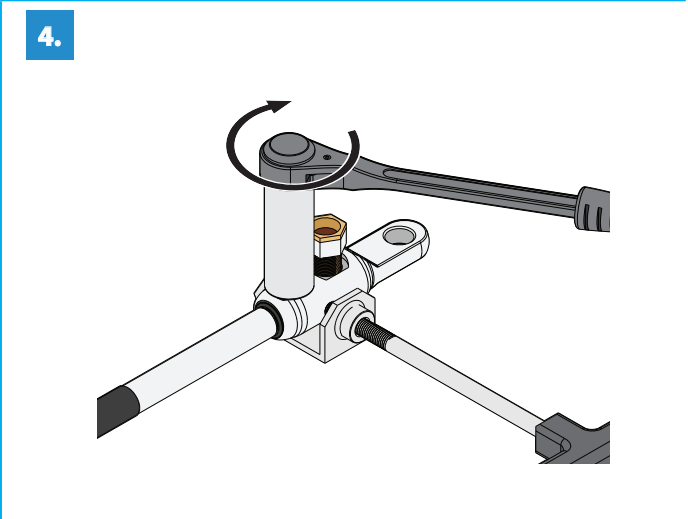
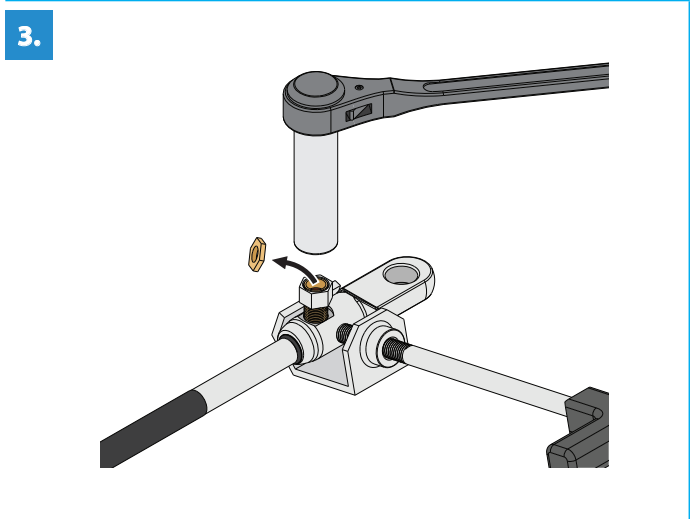
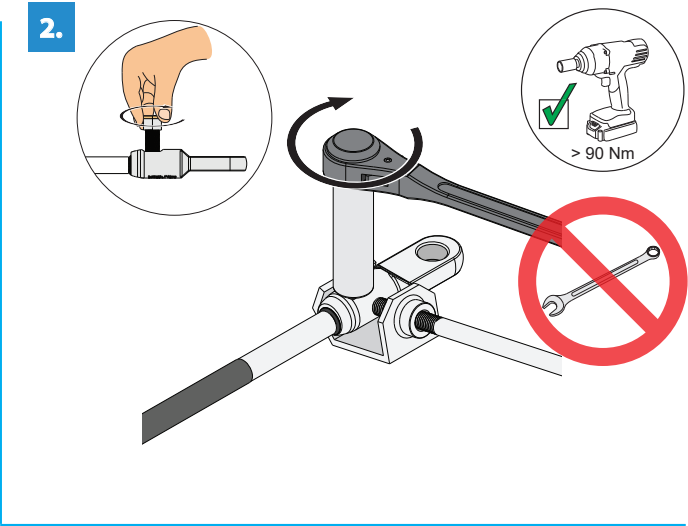
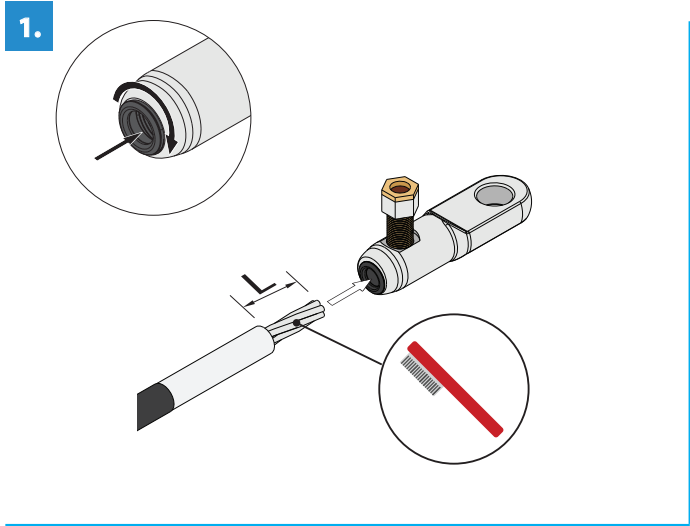


LA95C30SB1

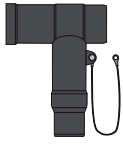




	mm	mm ²	mm ²	mm ²	mm	mm ²	mm
LA95C30SB1	3.6-12	10 - 95	90° 10-70 120° 10-50	90° 10-70 120° 10-50	35	10 - 50	d=15 L _{min} =26



18



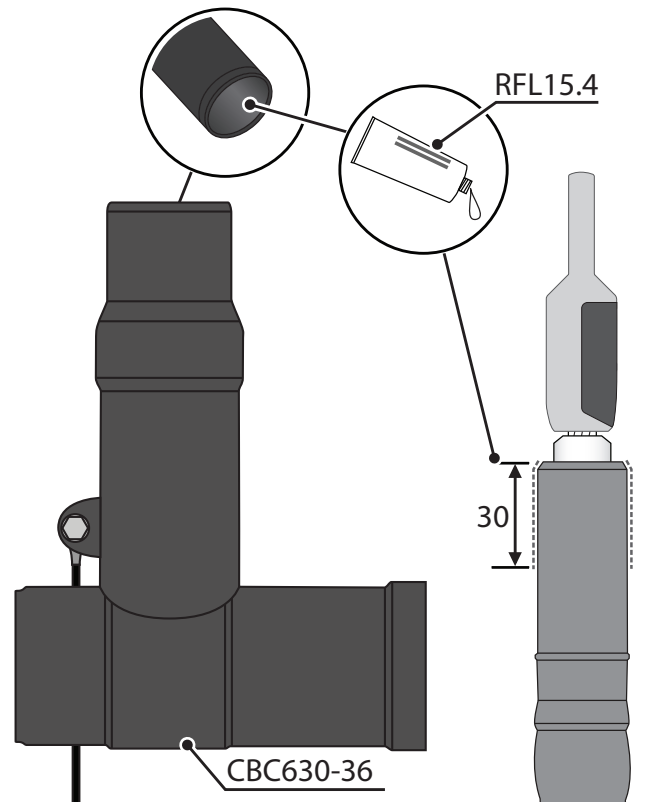
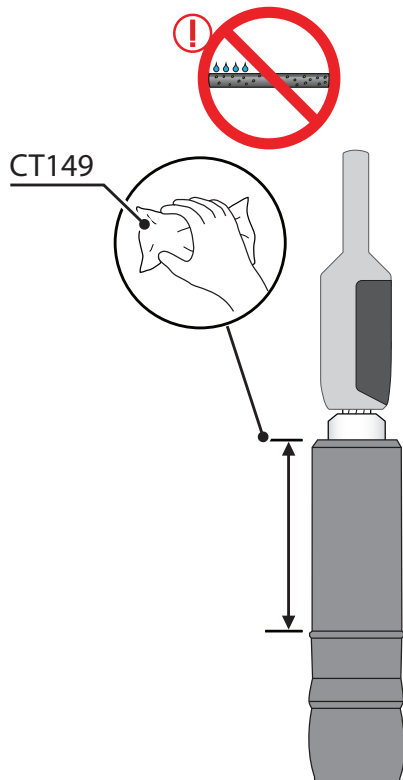
CBC630-36



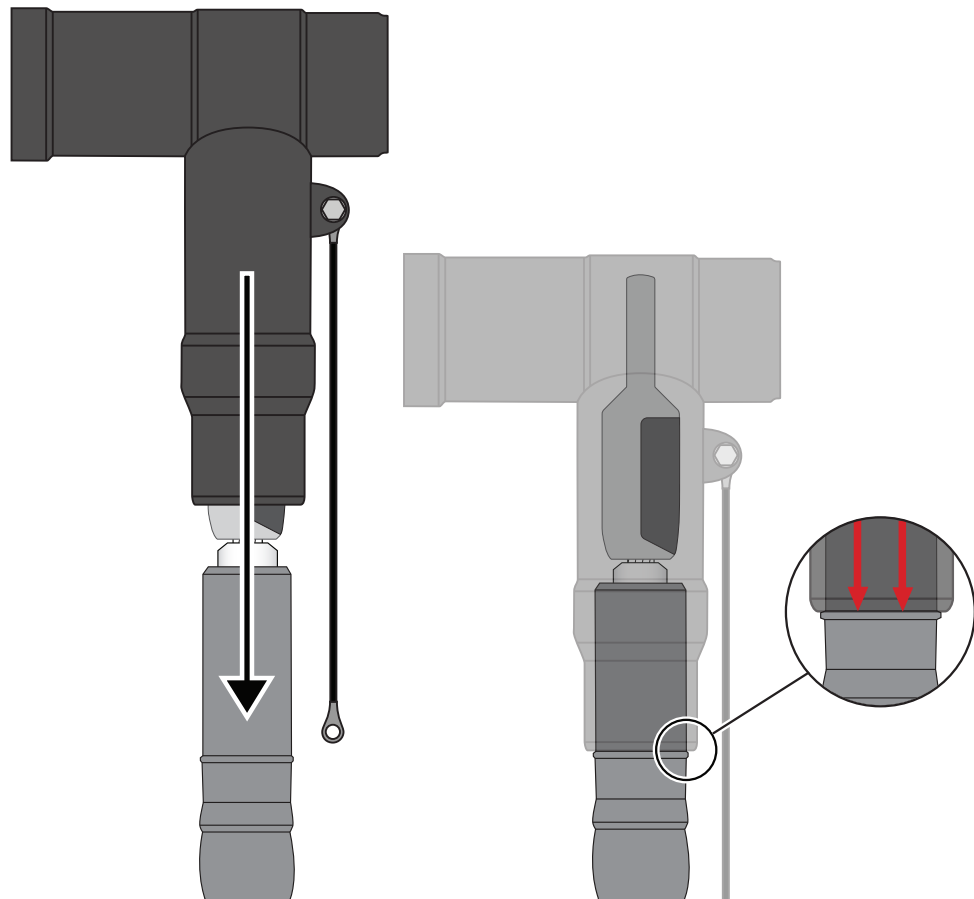
CT149



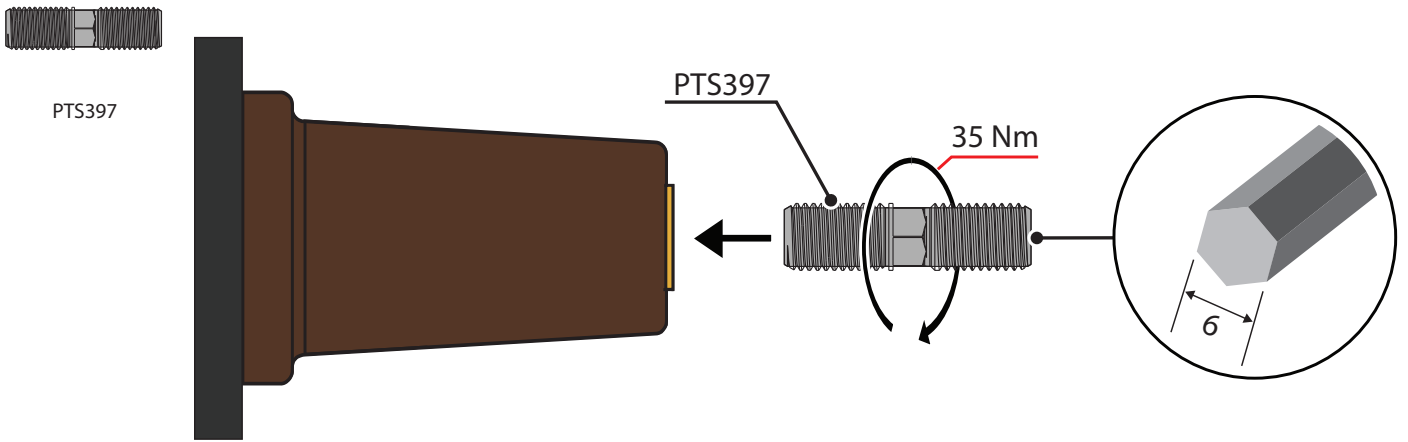
RFL15.4



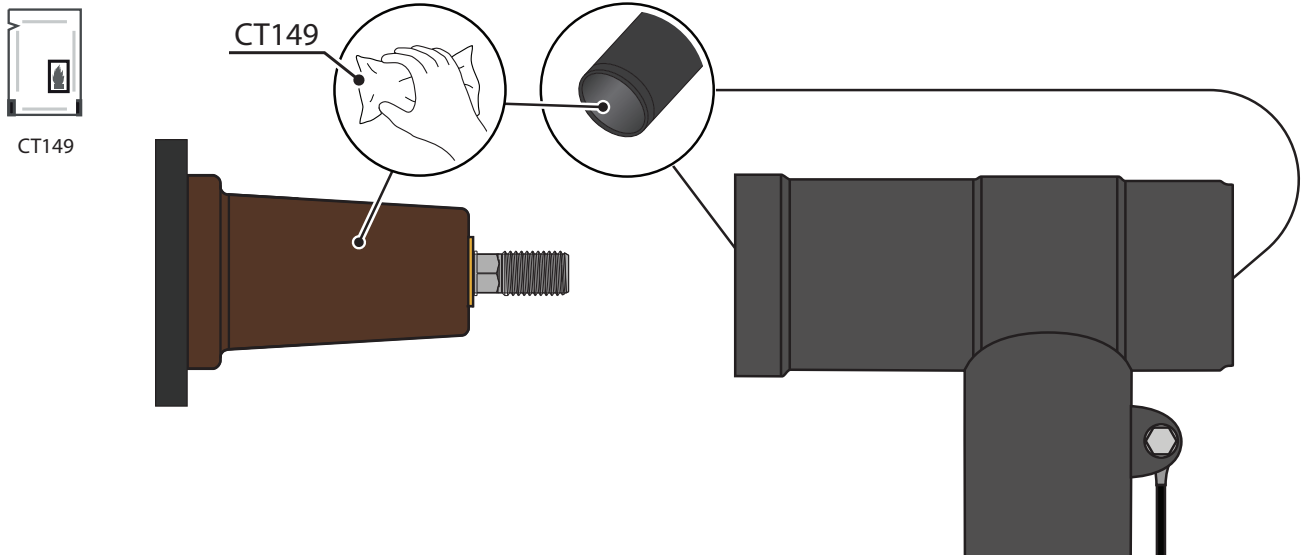
19



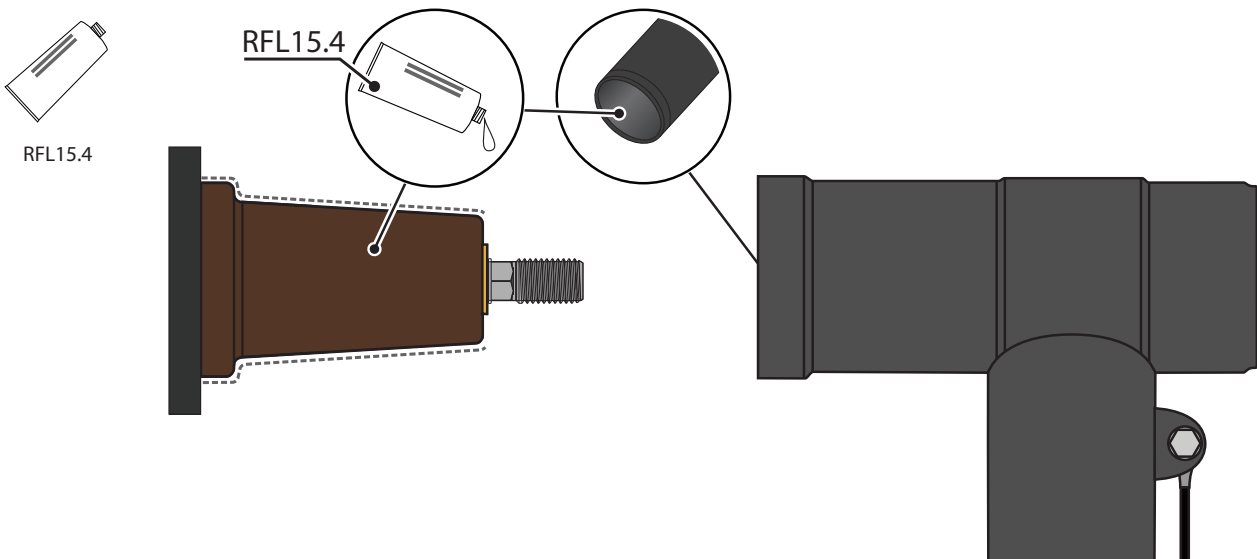
20



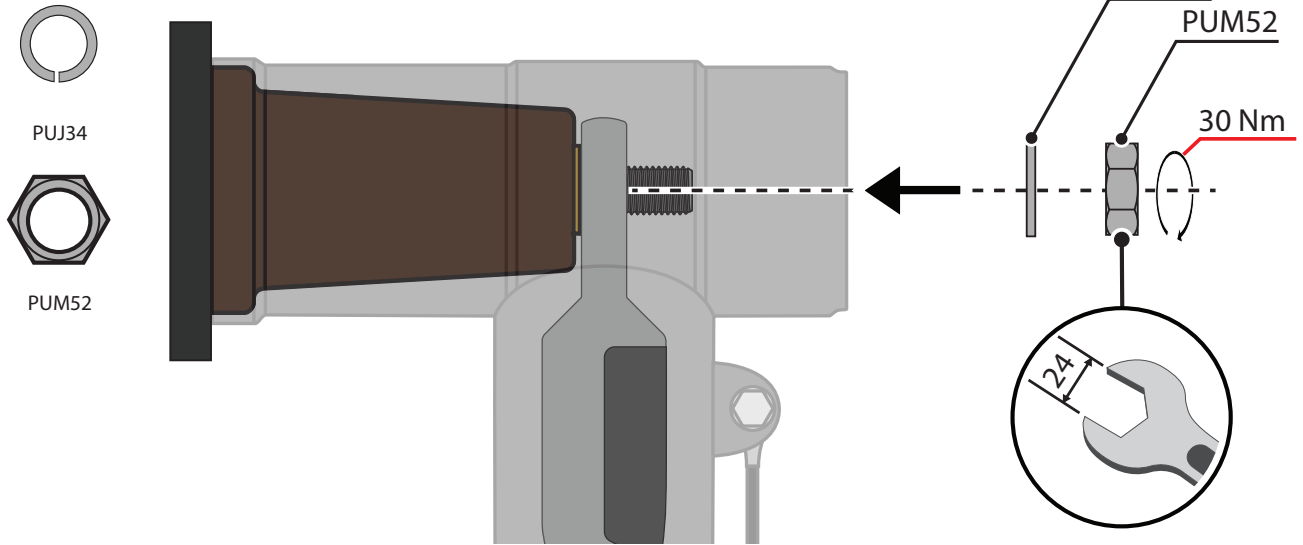
21



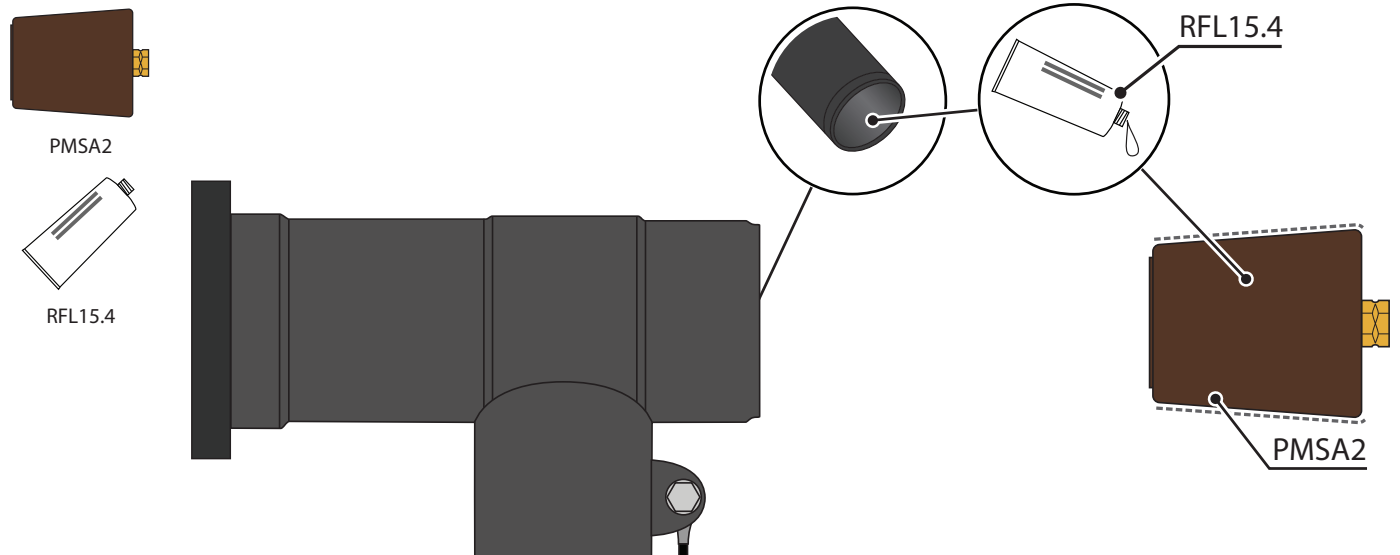
22



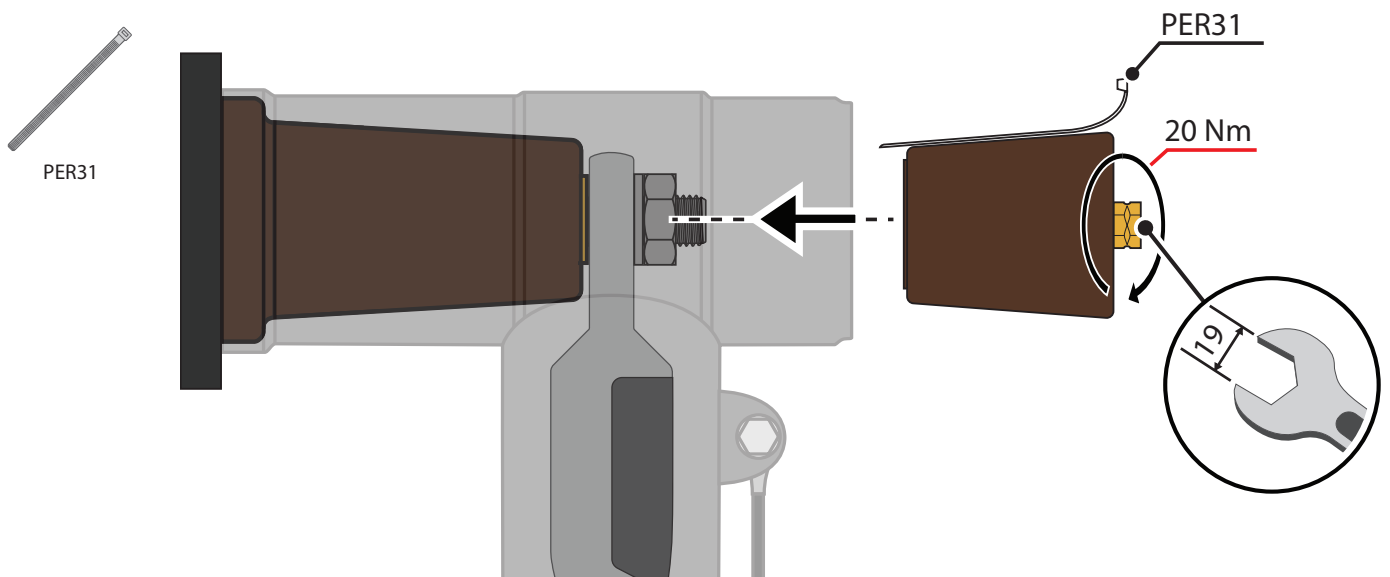
23



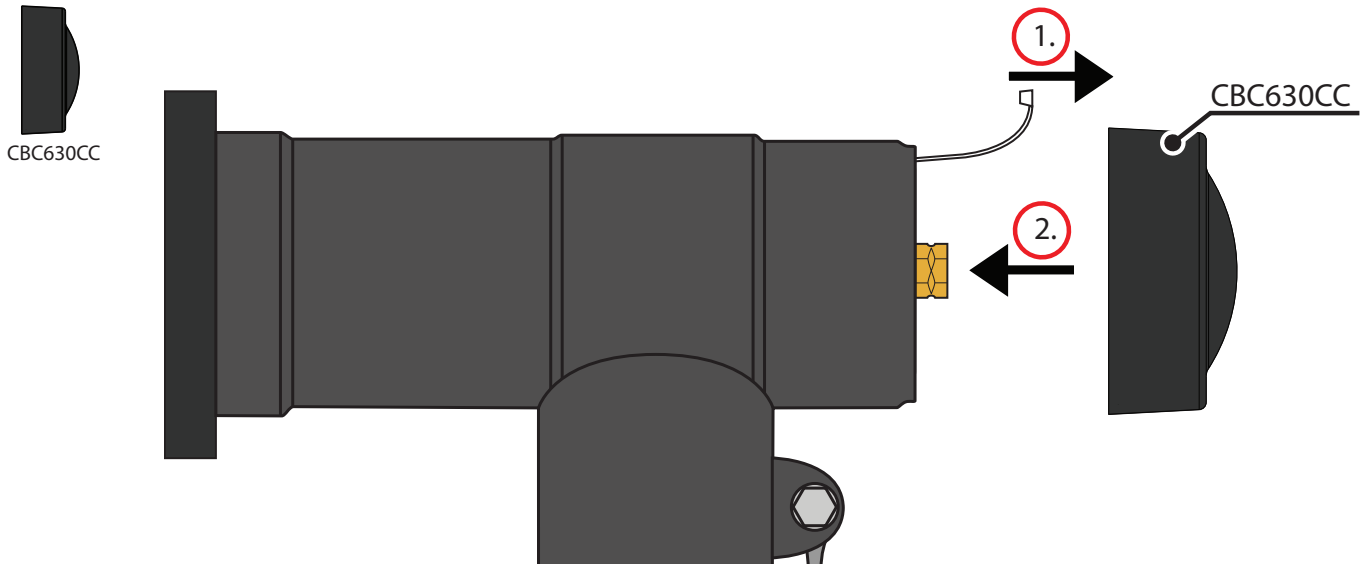
24



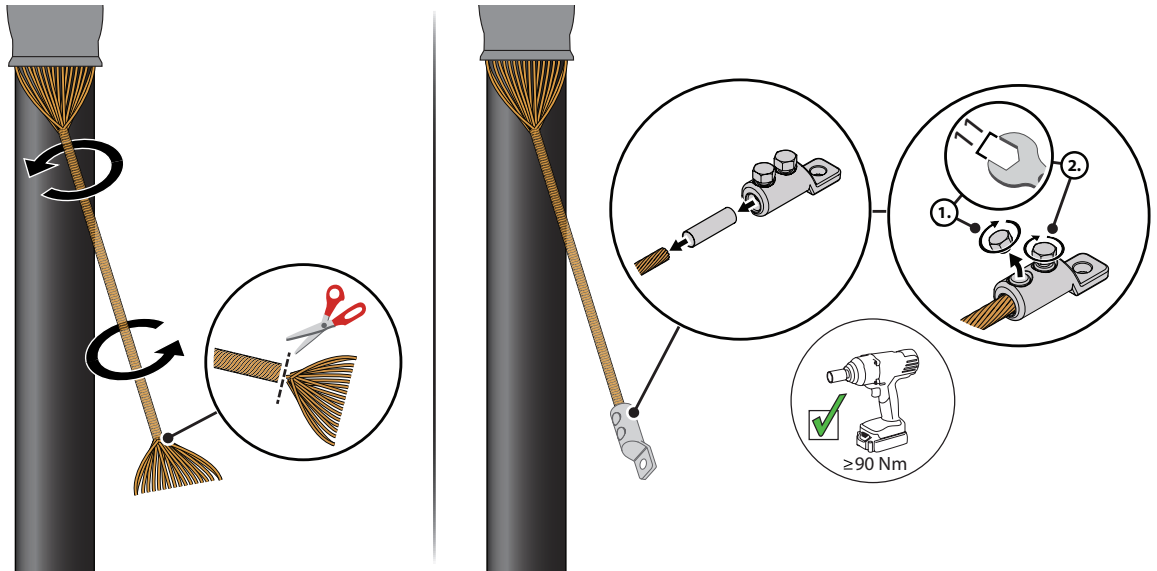
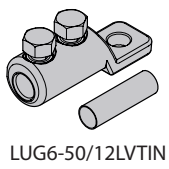
25



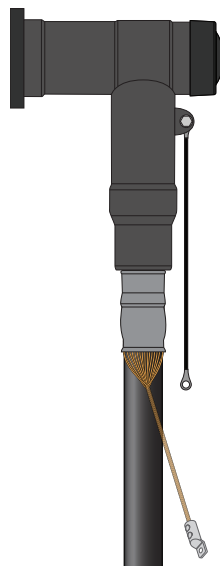
26



27



28



ENSTO