

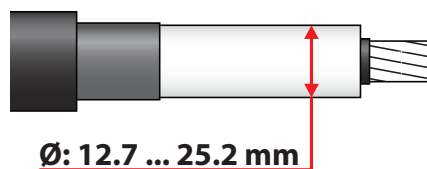


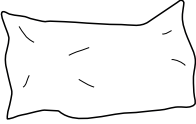
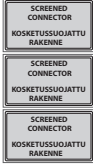
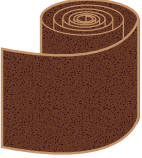




CONTW630-24L95

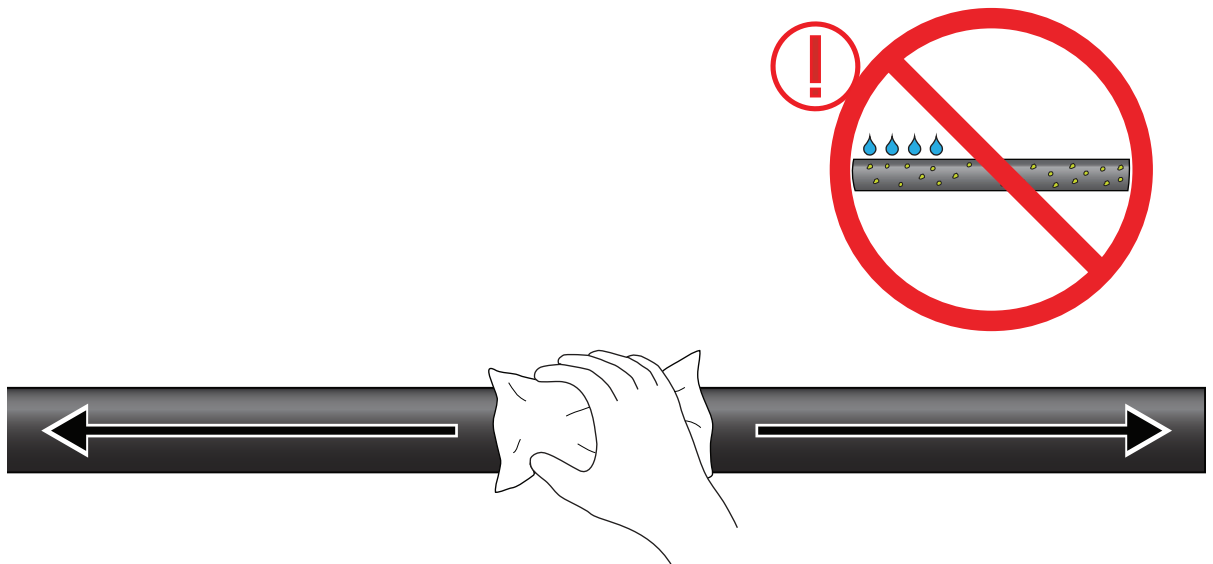
U_o/U_m (kV)	  mm ²
12.7/22 (24) kV	10-95
6.35/11 (12) kV	25-95



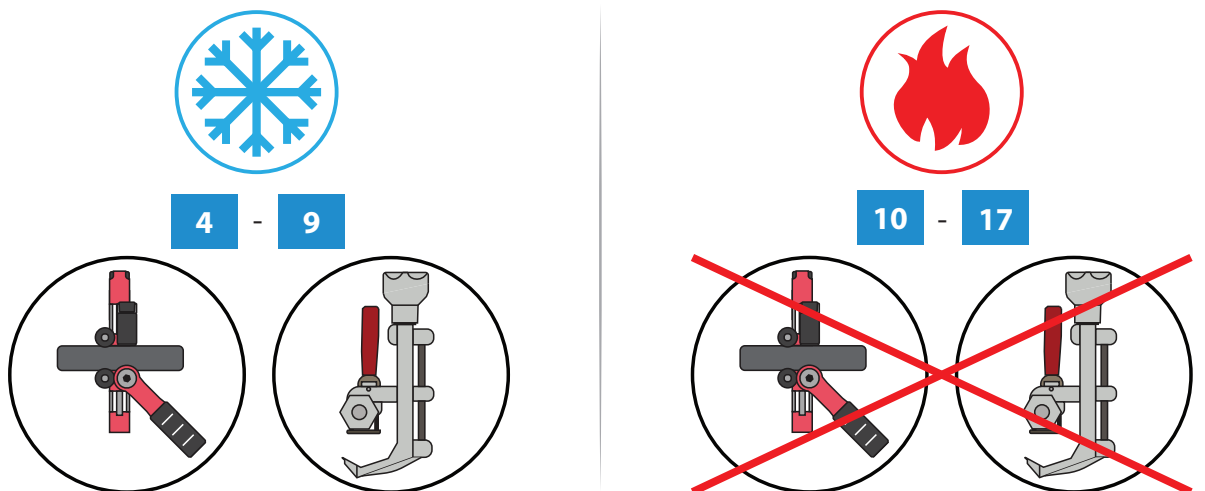
	CBC630-36	3		PEE238.500	3
	CBSC12-38	3		SF2	3
	CATTG22.28/100-60L	3		PER53	3
	CBC630CC	3		PER31	1
	PMSA2	3		SMG100 100 mm	8
	LA95C30SB1	3		SSITA42.1000	3
	PMR3258	3		PEE225W	1
	LUG6-50/12LVTIN	1		PEE247	3
	PTS397	3		RFL15.4	1
	PUM52	3		MPA21	6
	PUJ34	3		CT149	6

	PA23		1		PEM1056	1
	PEE64.1	600 mm	2		PEM-CONTW630-24L95	1
	PEE39/1500		2			

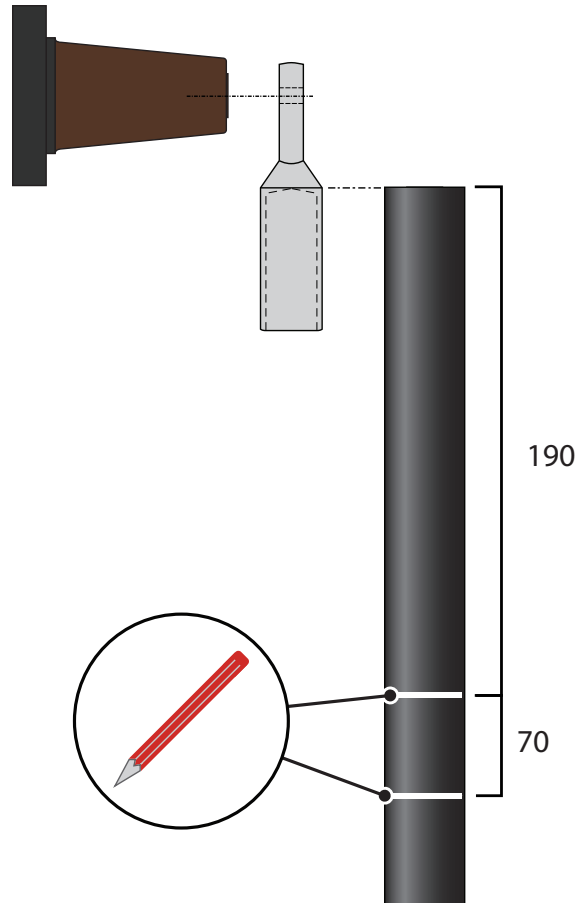
1



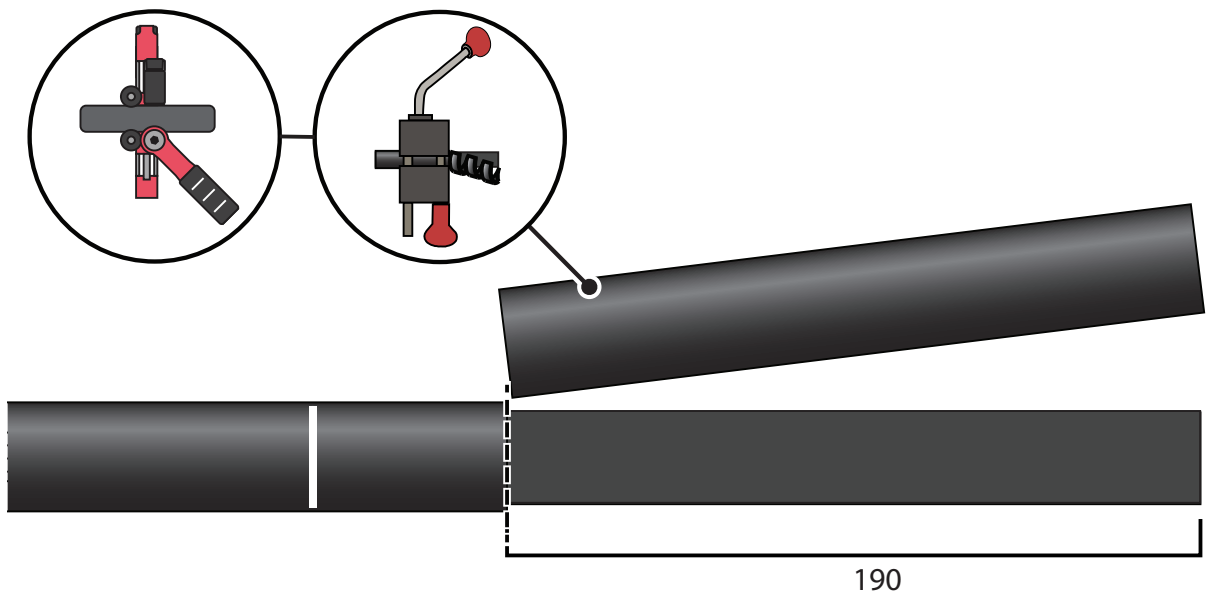
2



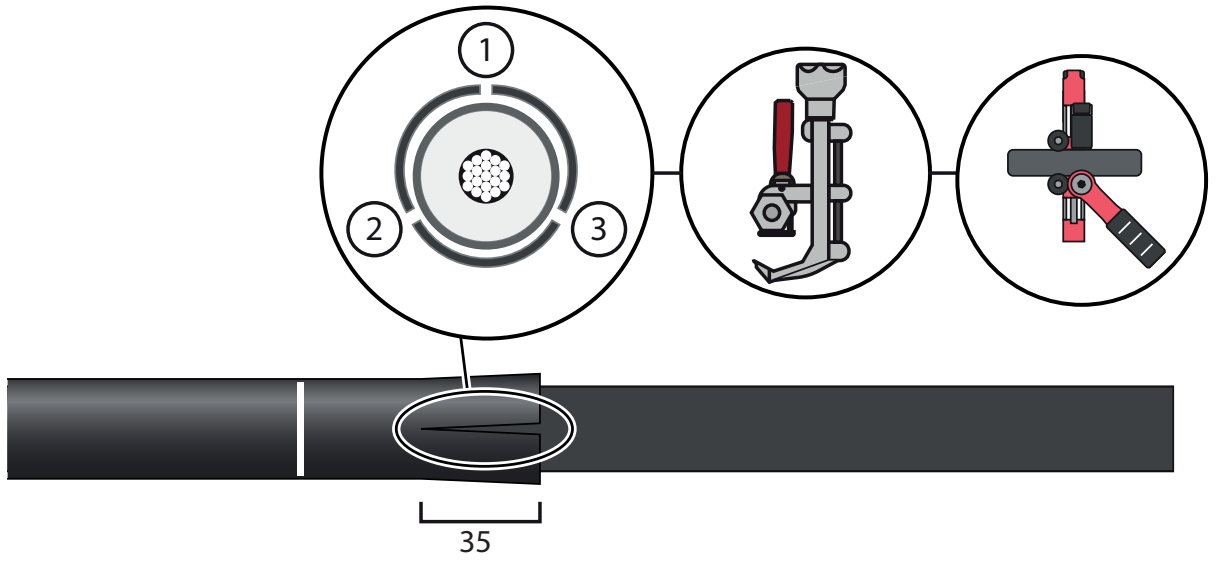
3



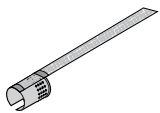
4



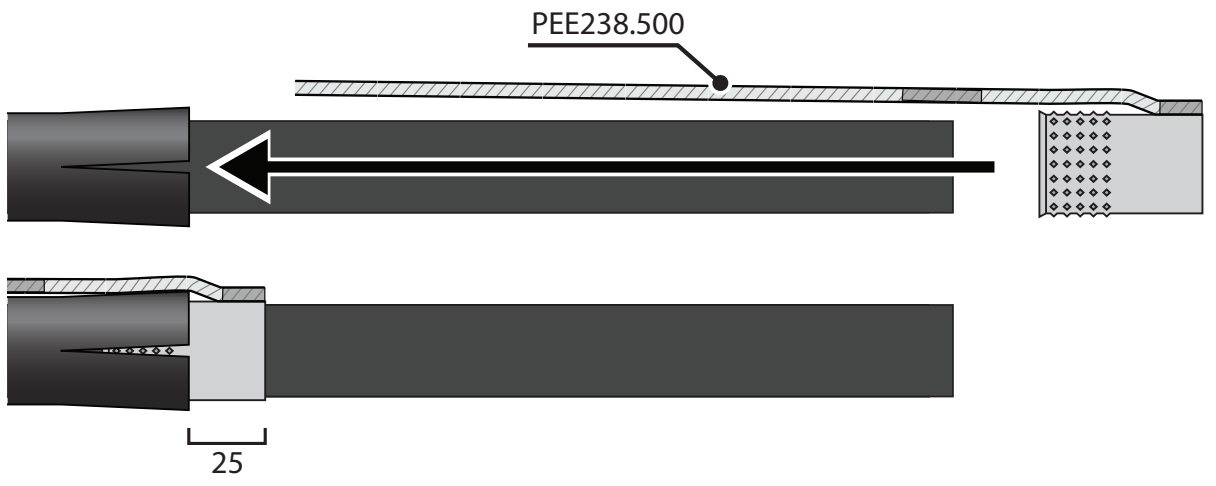
5



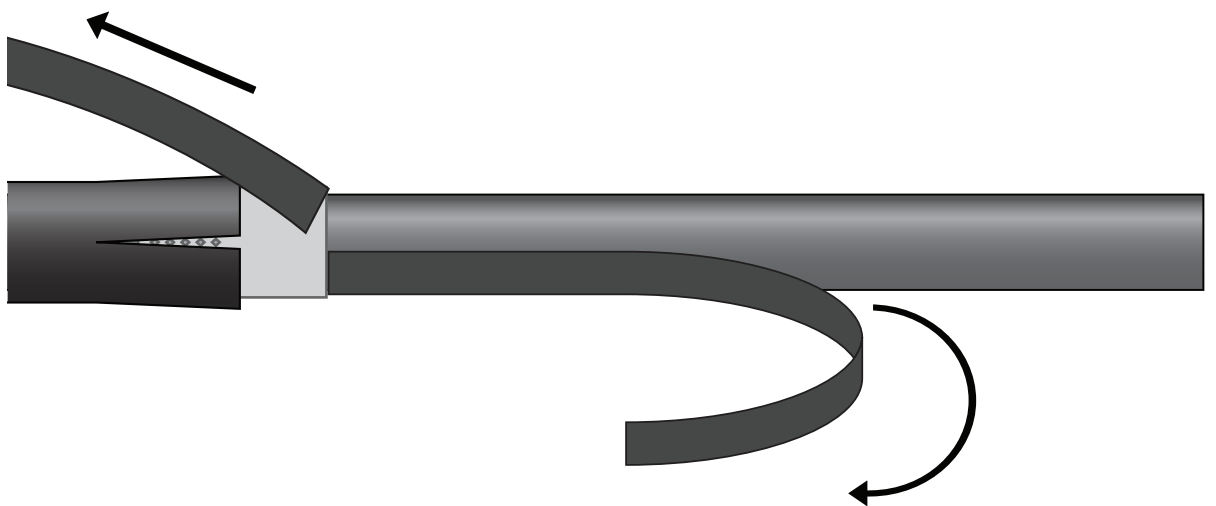
6



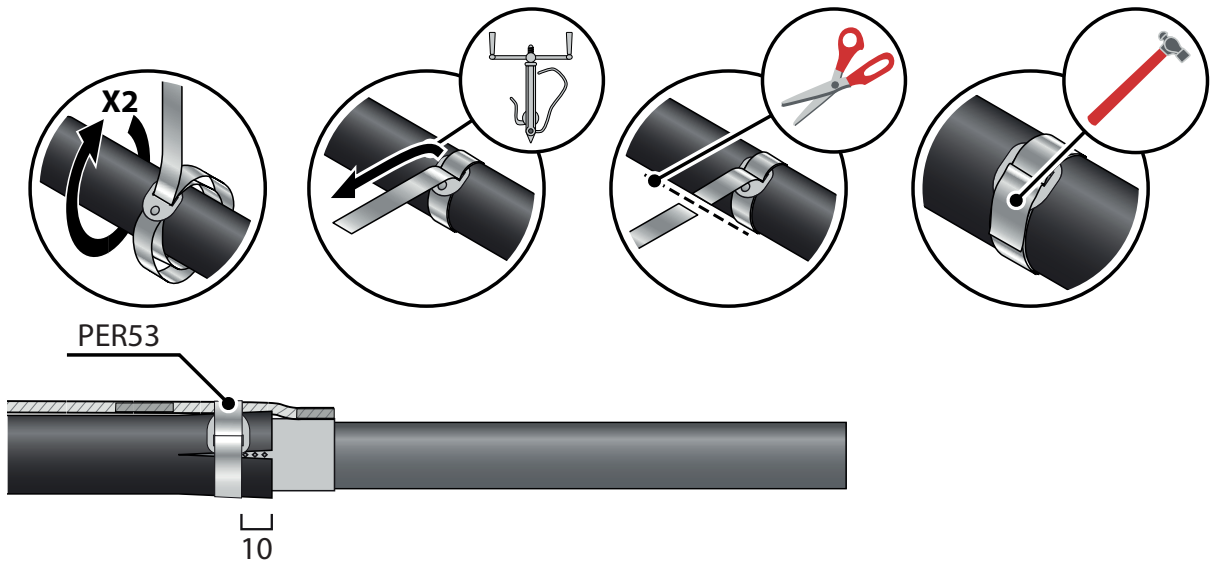
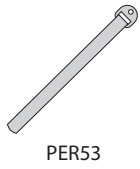
PEE238.500



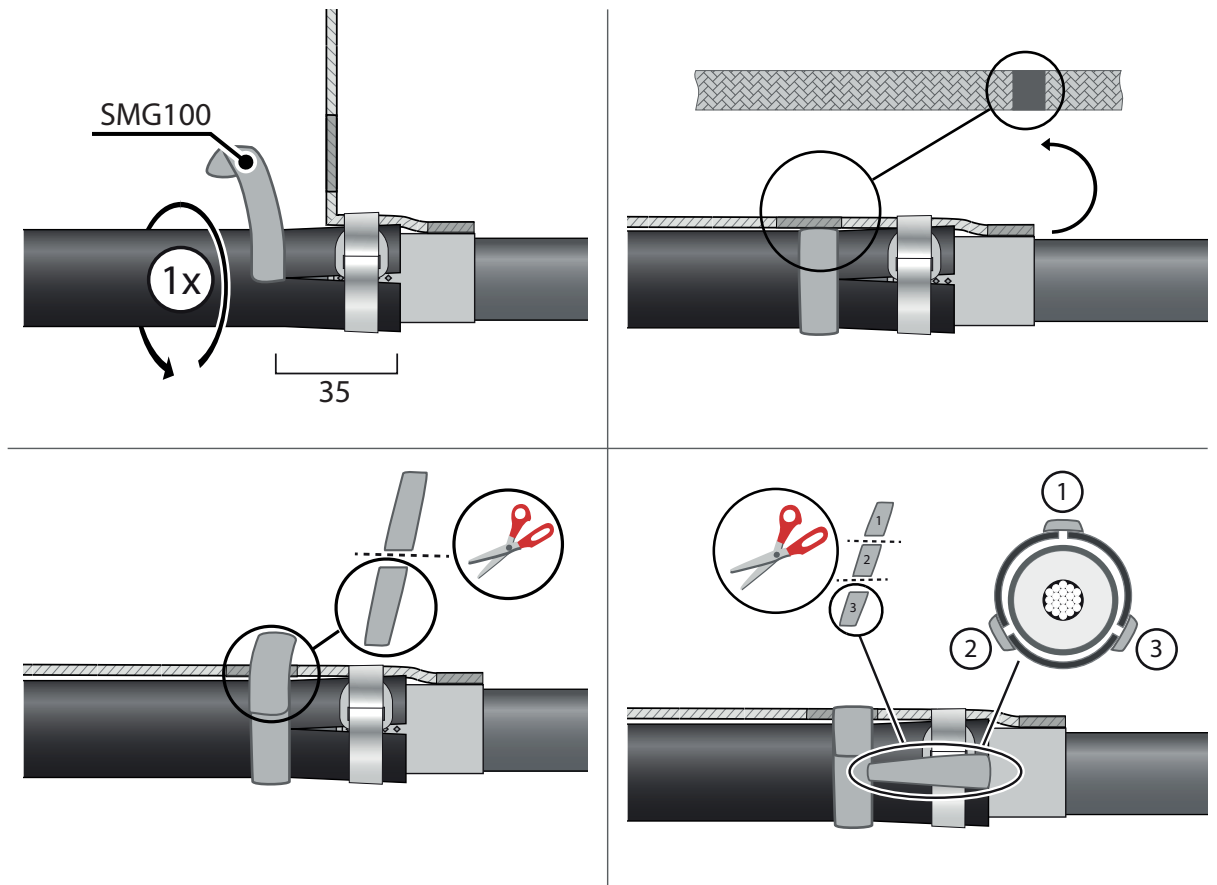
7



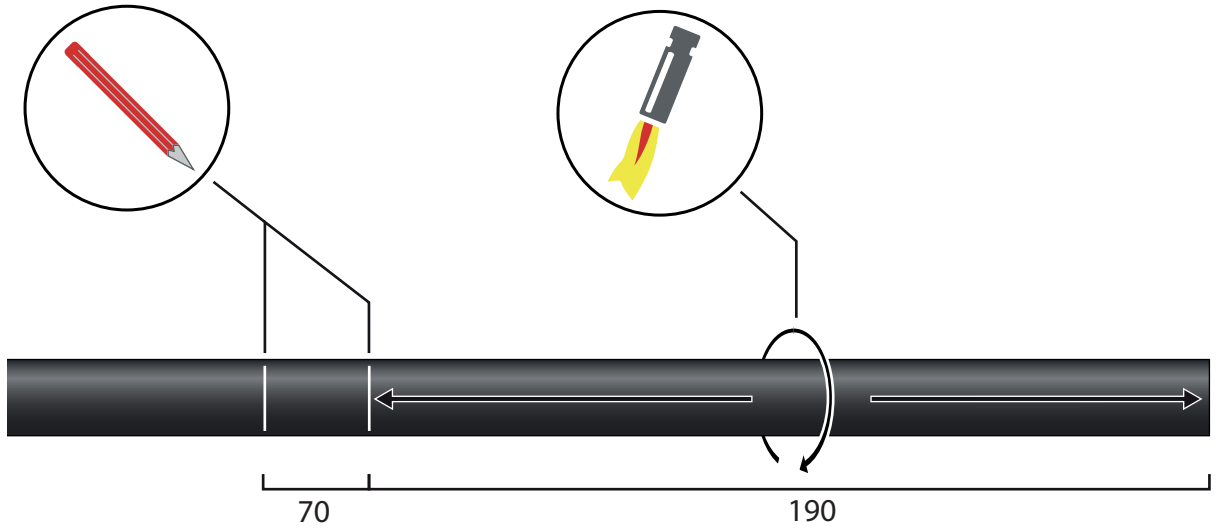
8 



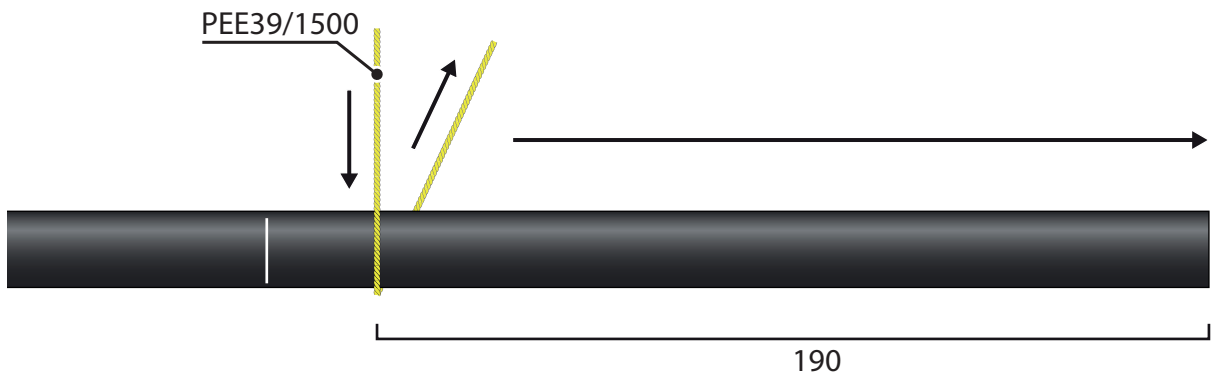
9 



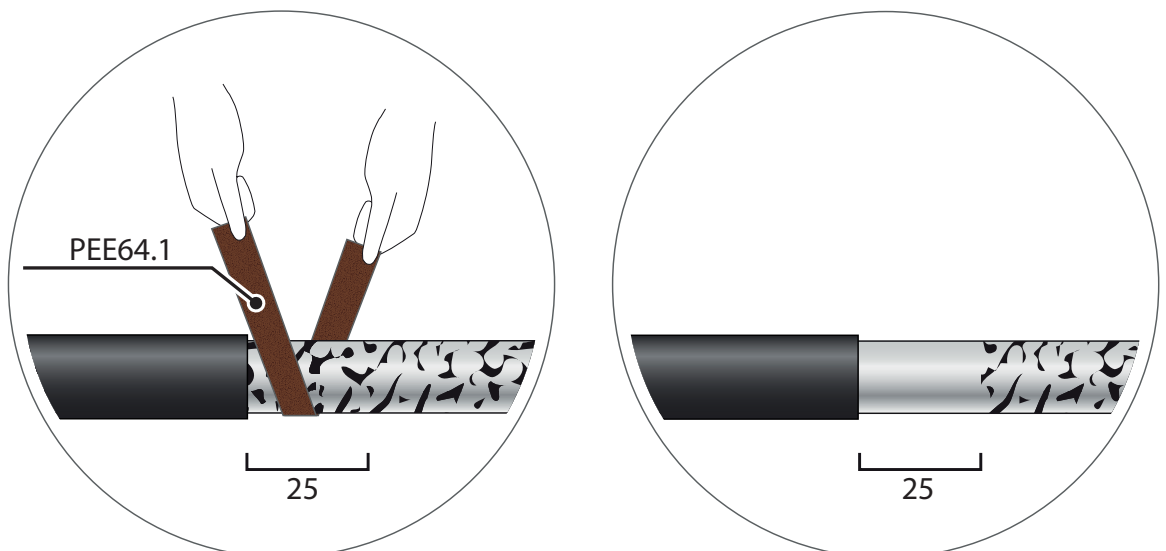
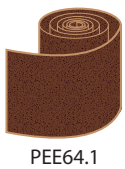
10 



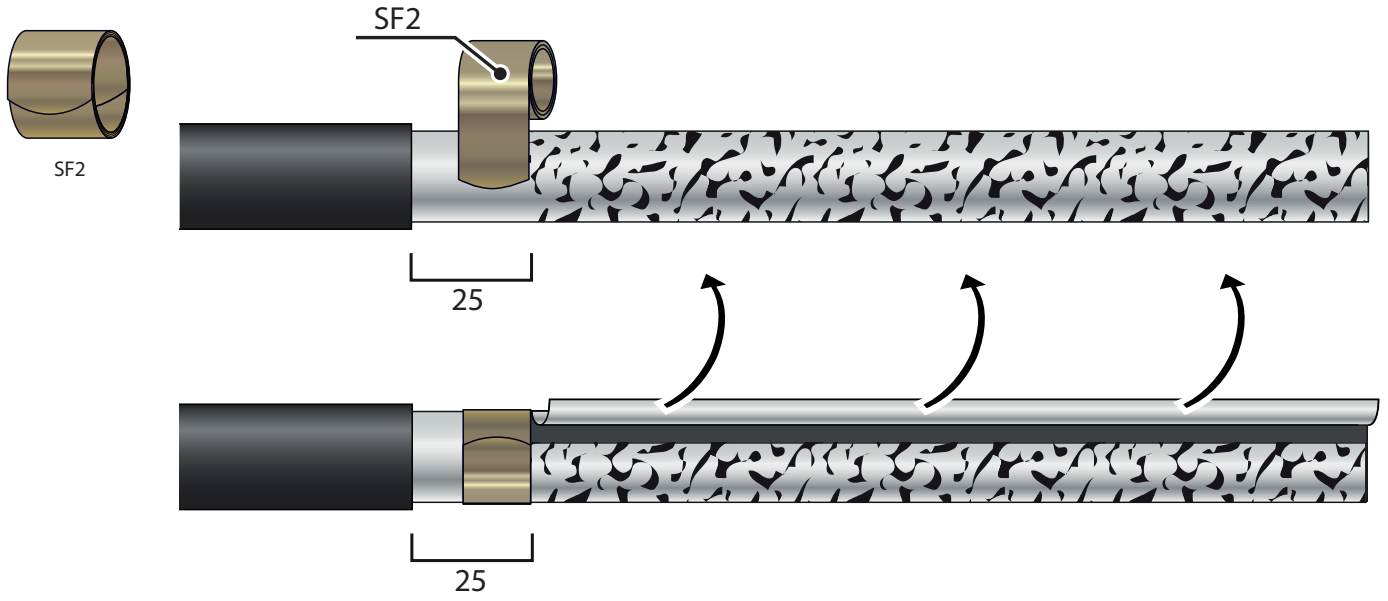
11 



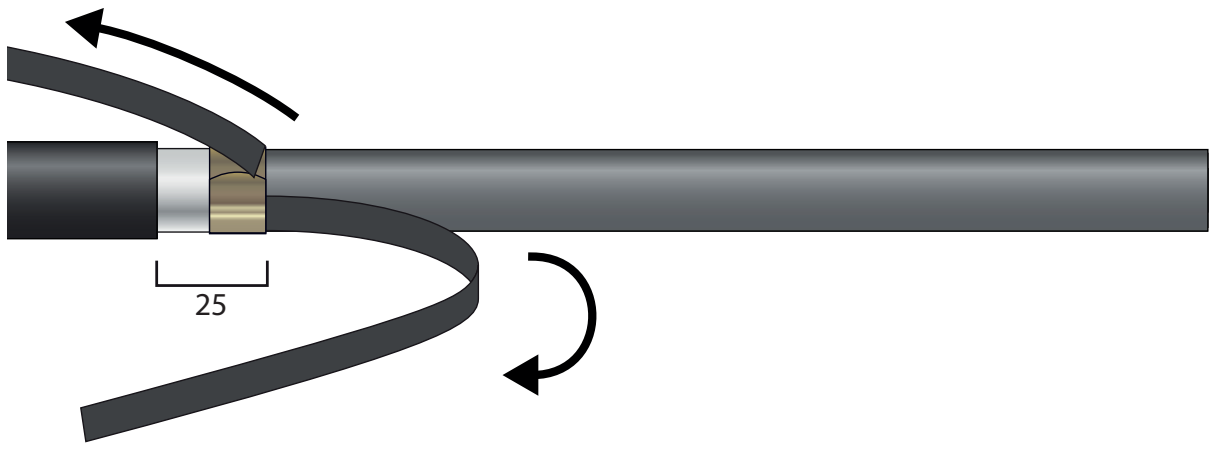
12 



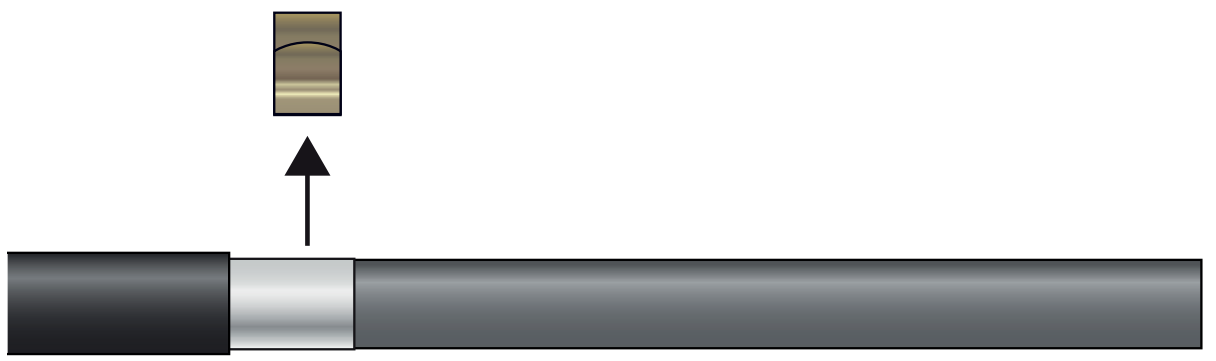
13 



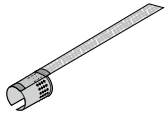
14 



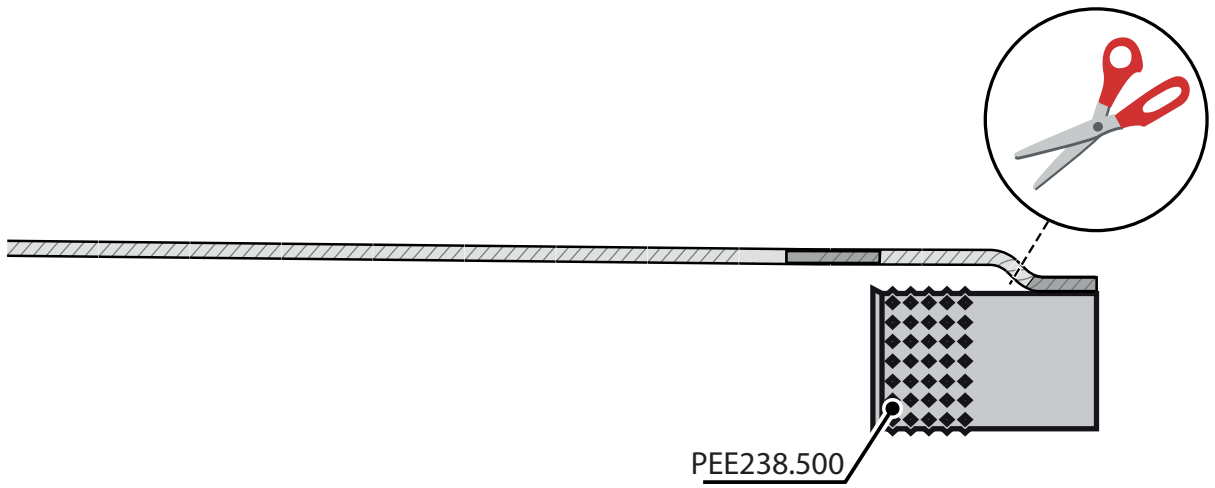
15 



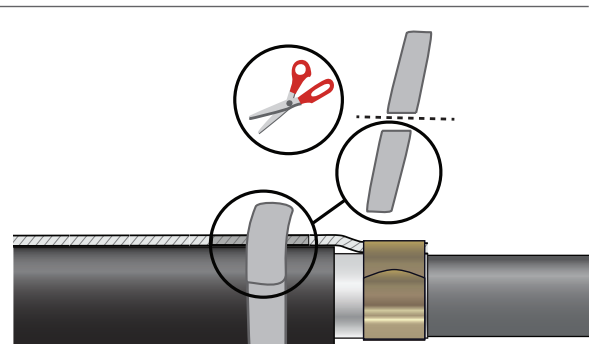
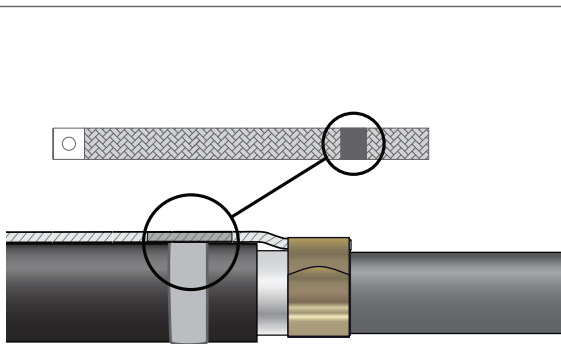
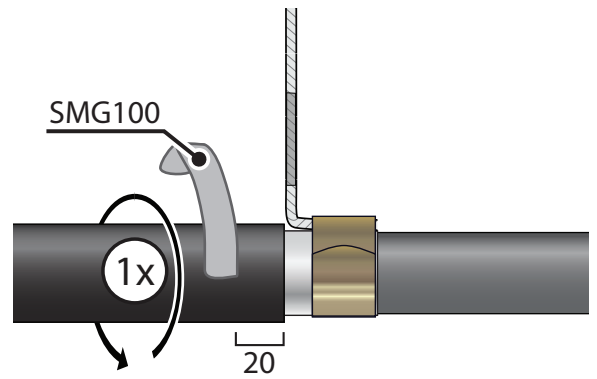
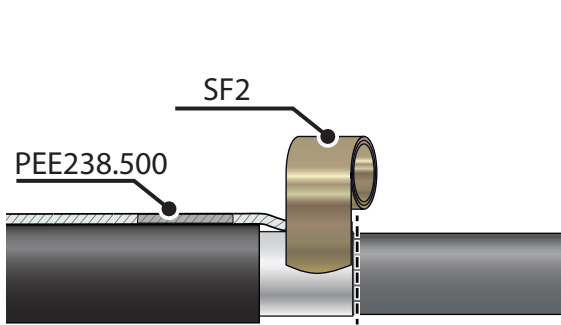
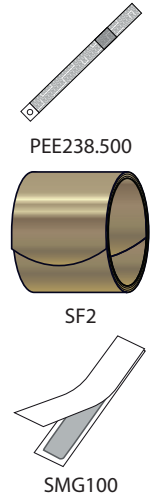
16 



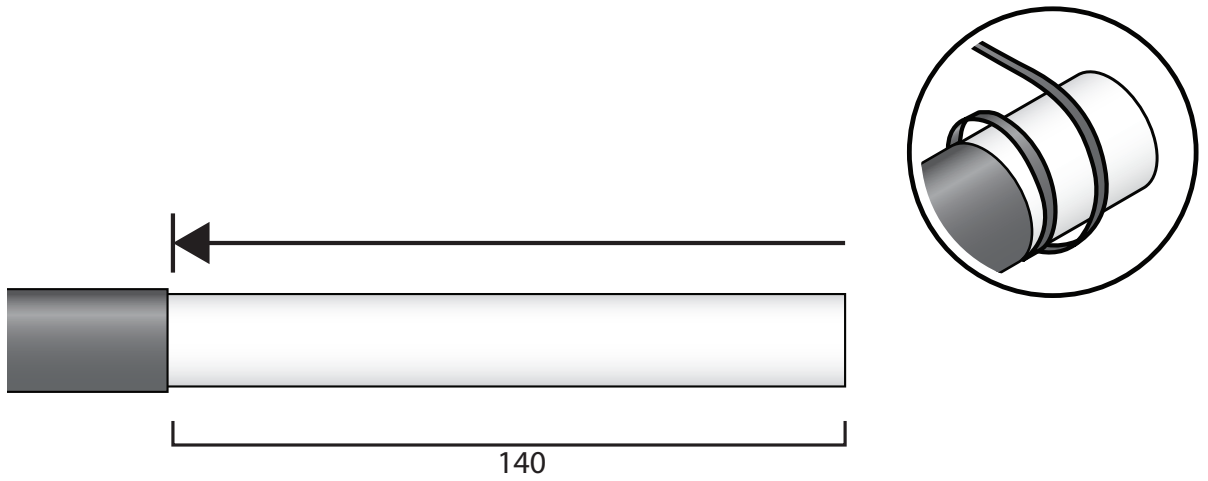
PEE238.500



17 



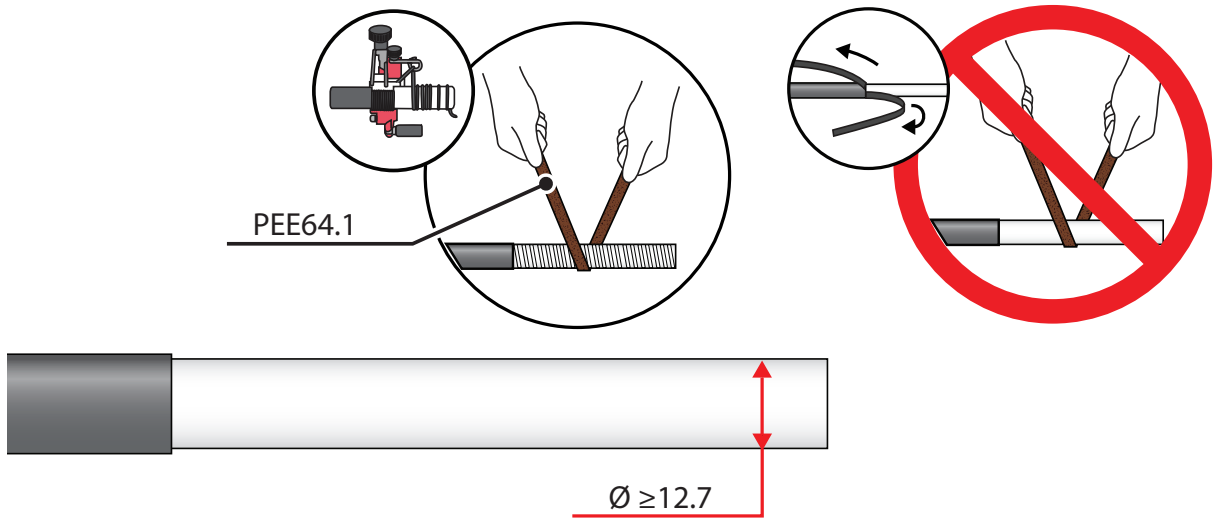
18



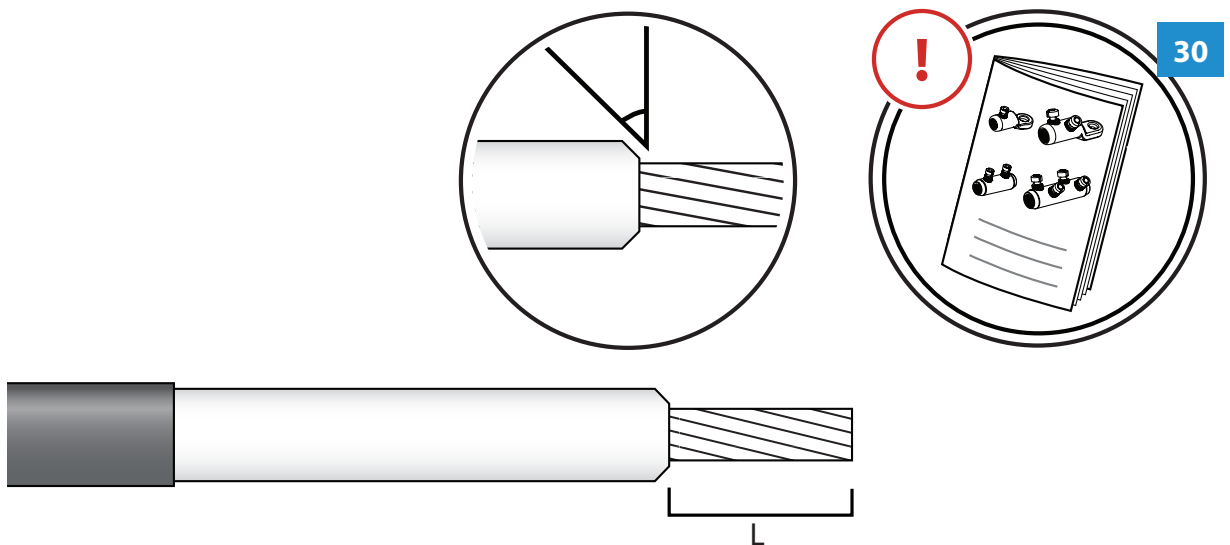
19



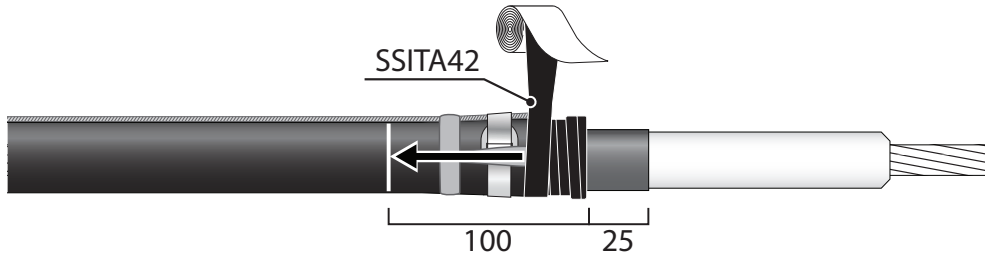
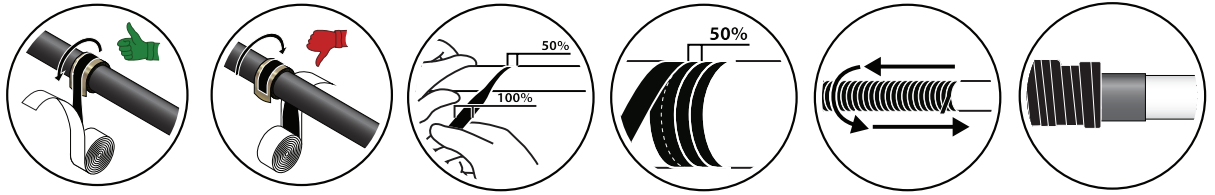
PEE64.1



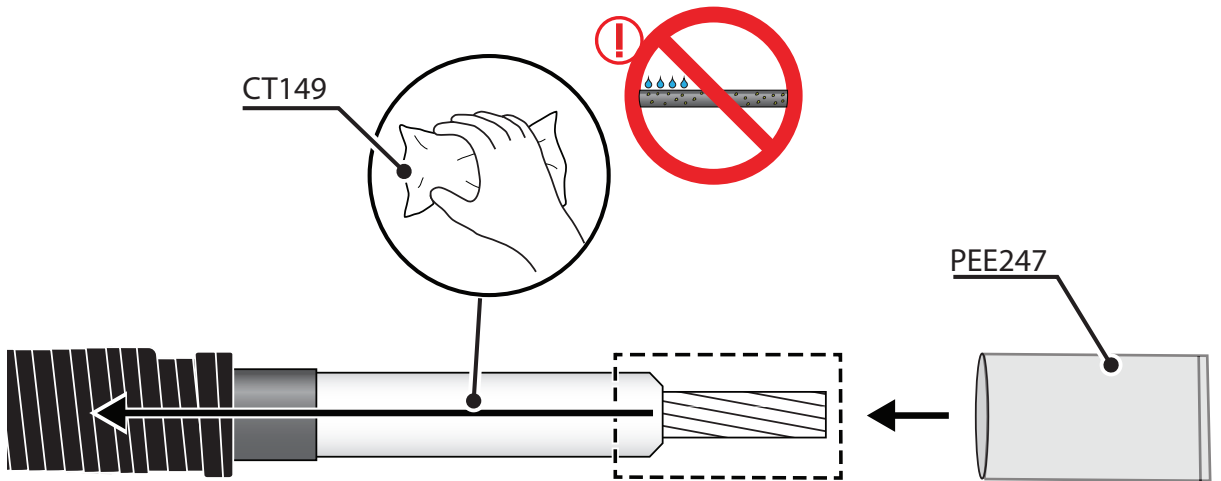
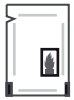
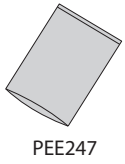
20



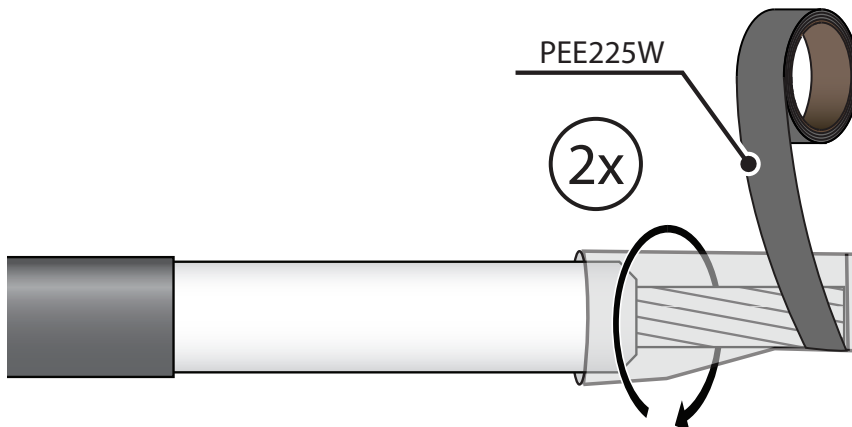
21



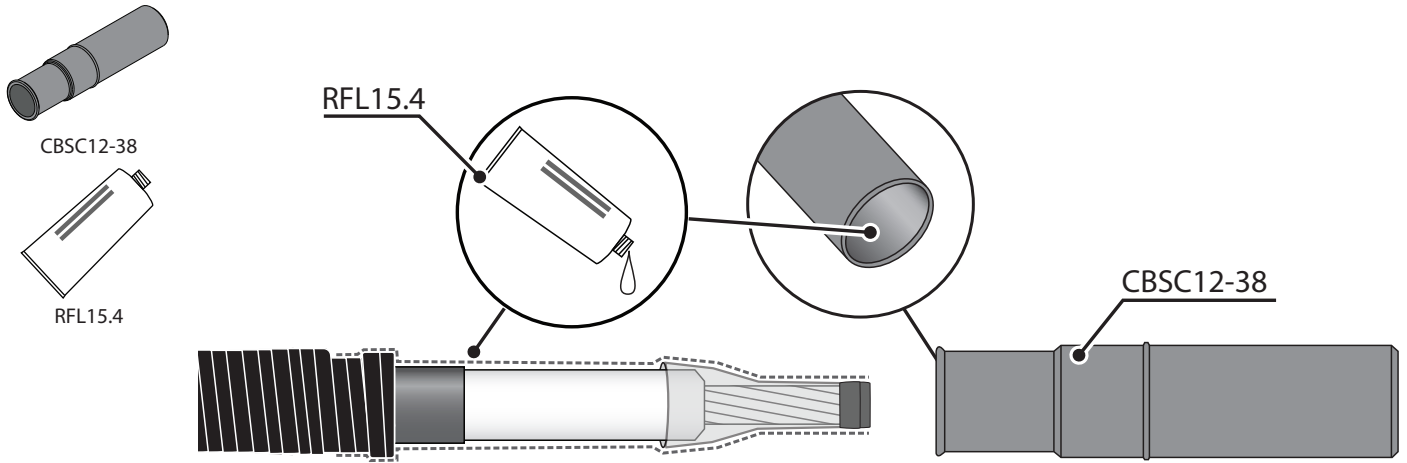
22



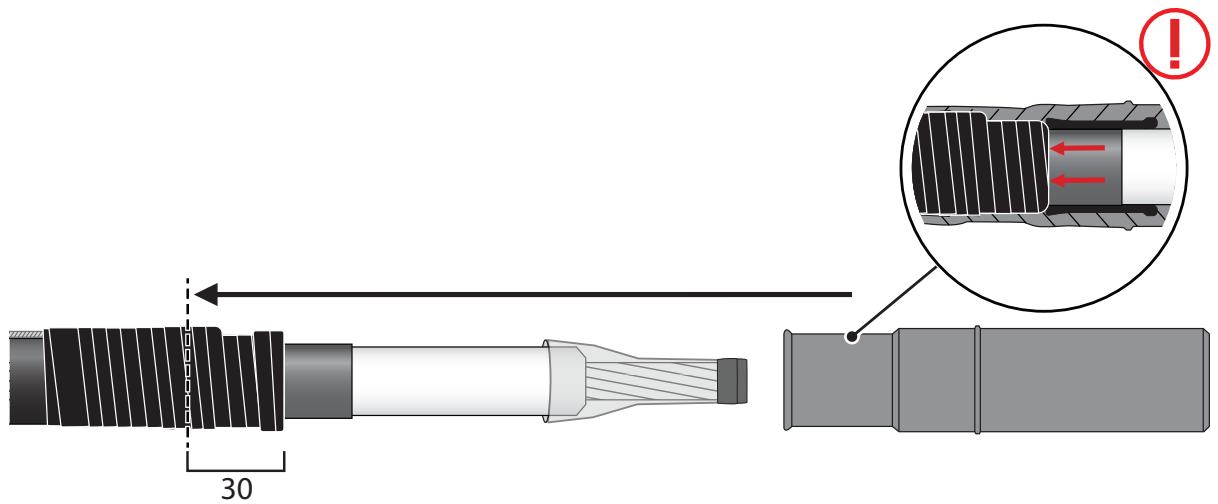
23



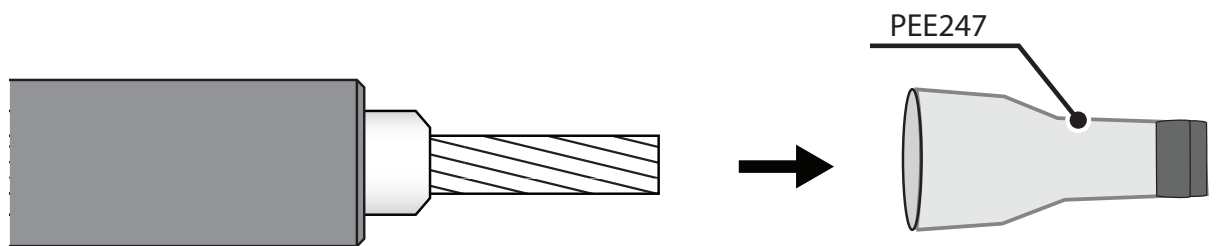
24



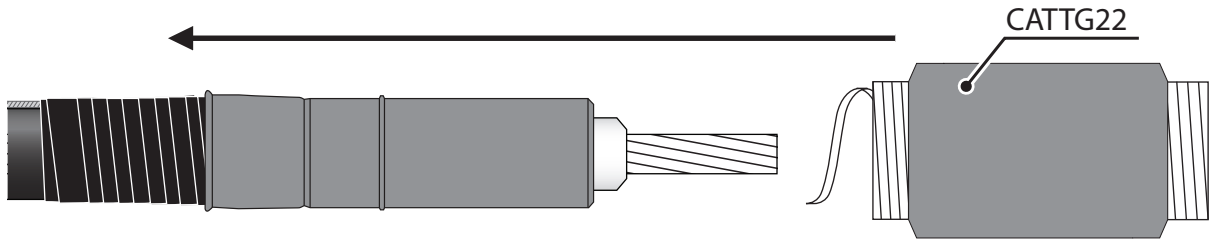
25



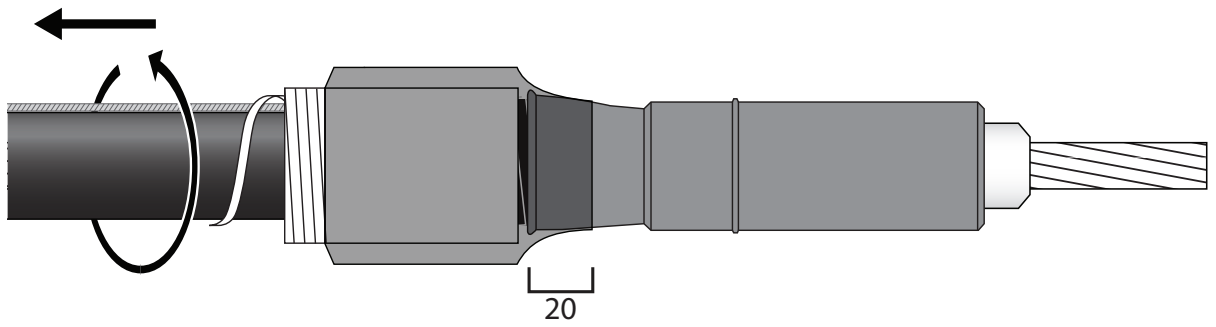
26



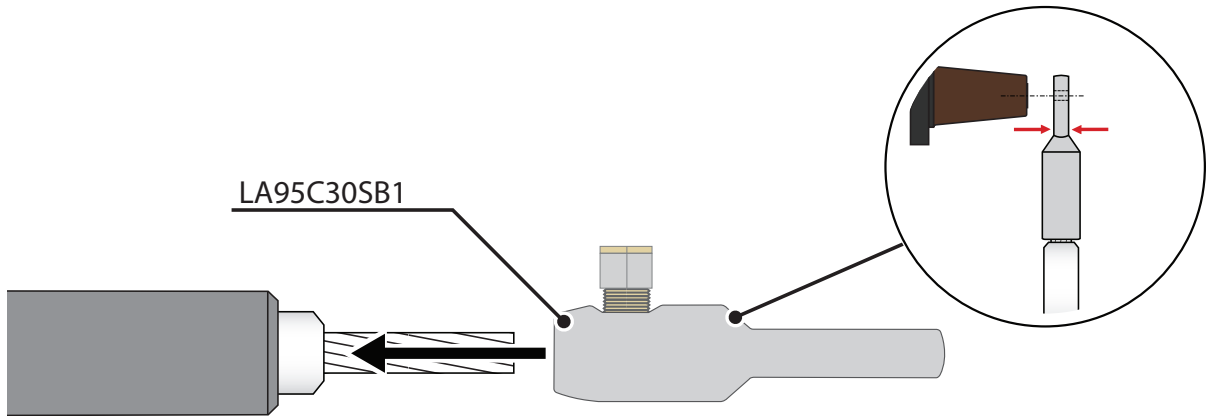
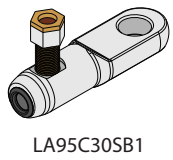
27



28

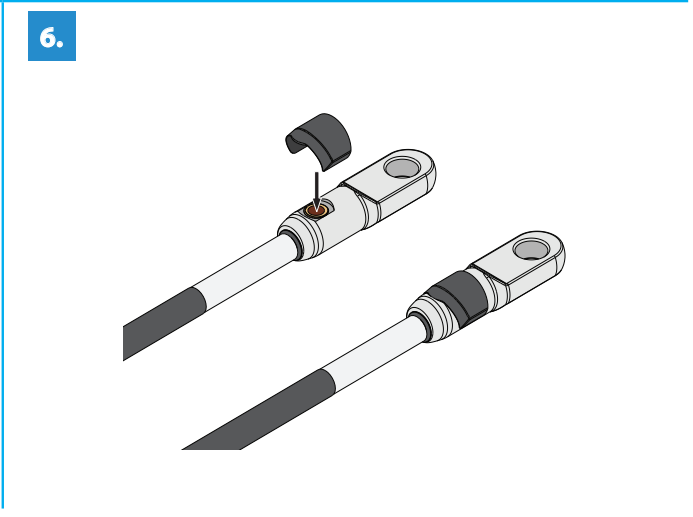
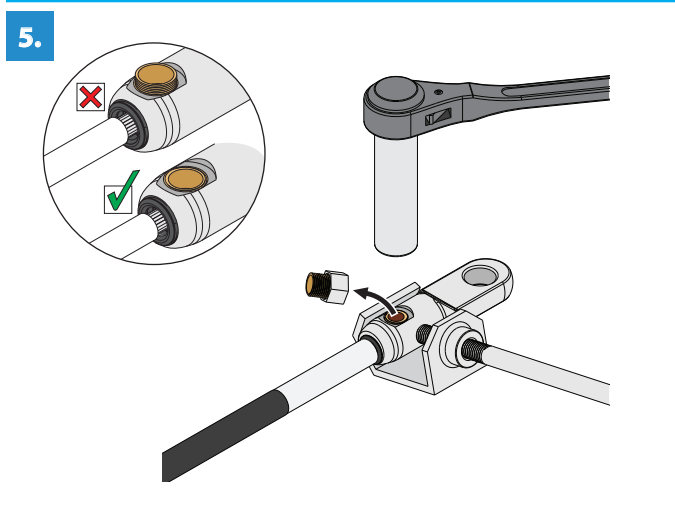
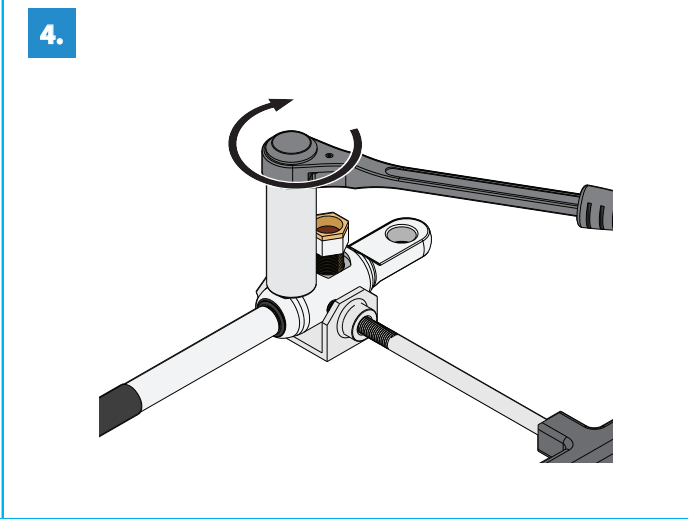
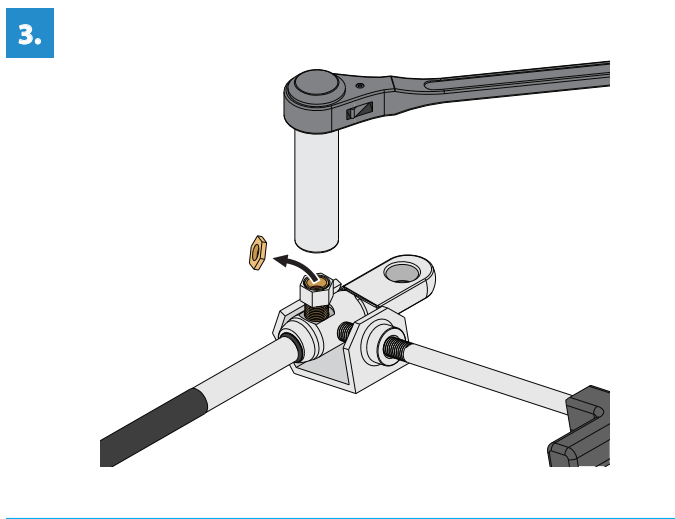
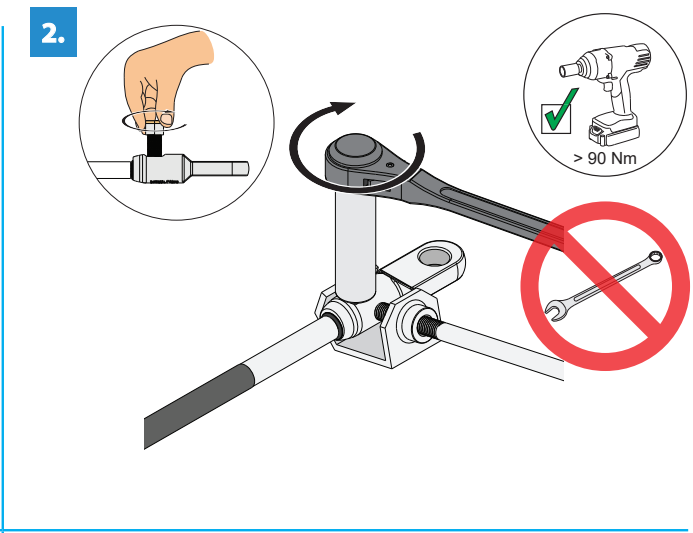
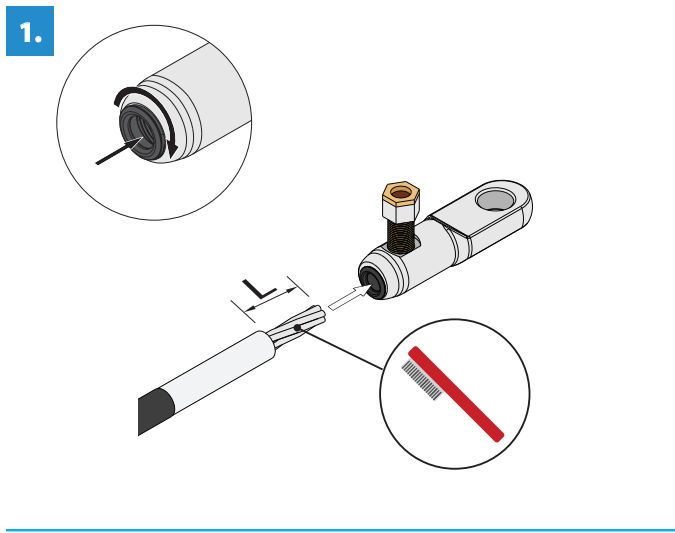


29

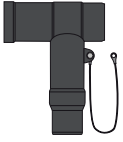




	mm	mm ²	mm ²	mm ²	mm	mm ²	mm
LA95C30SB1	3.6-12	10 - 95	90° 10-70 120° 10-50	90° 10-70 120° 10-50	35	10 - 50	d=15 L _{min} =26



31



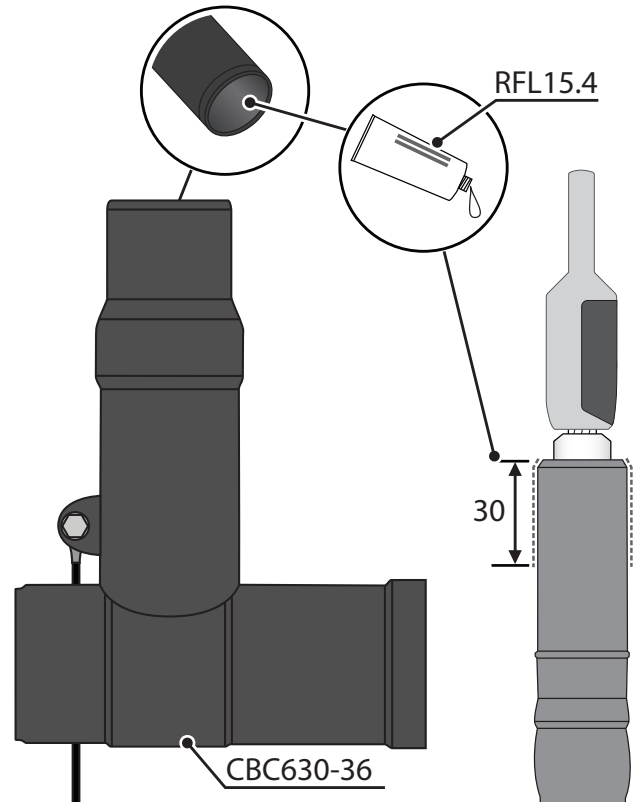
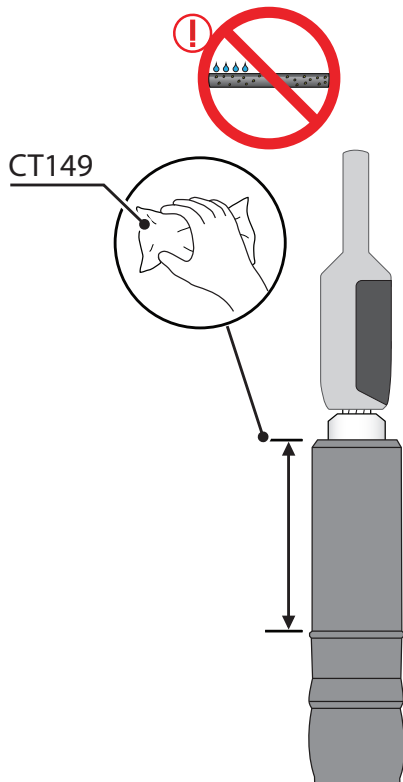
CBC630-36



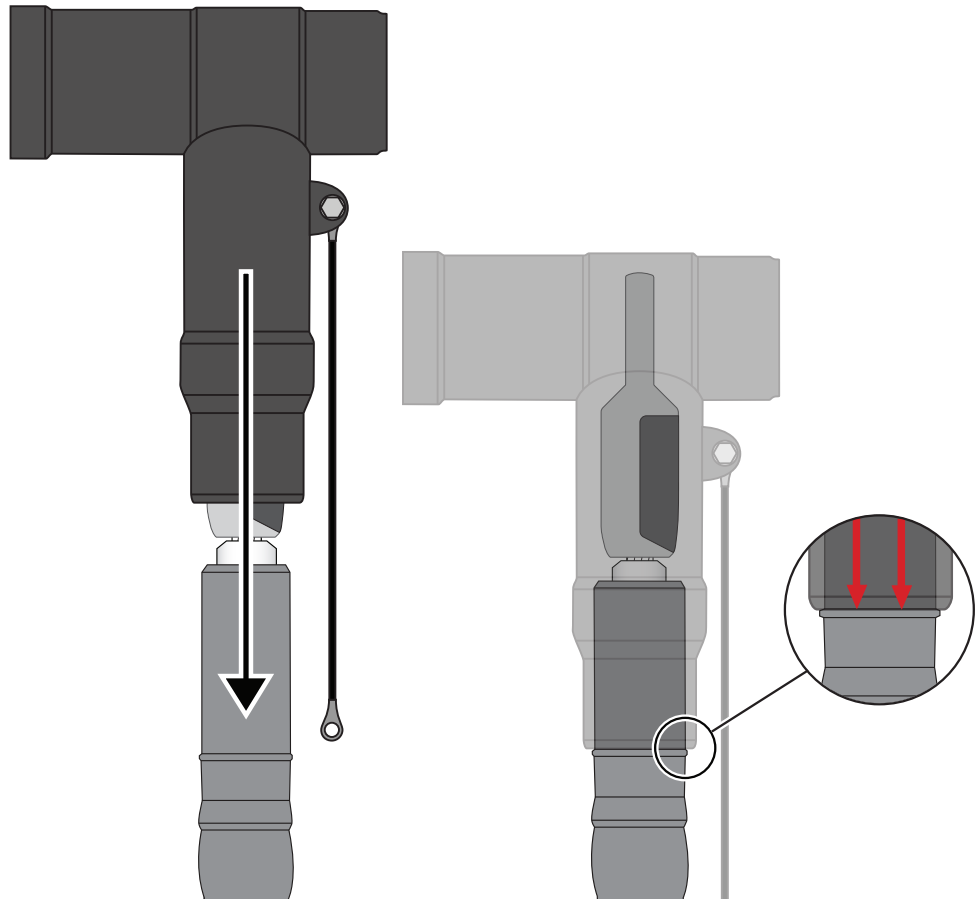
CT149



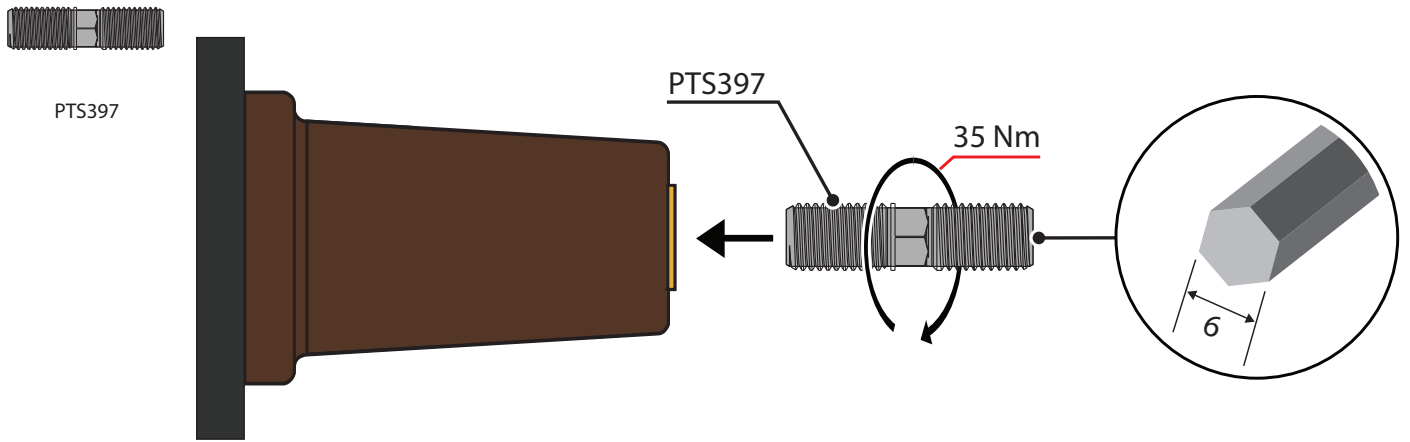
RFL15.4



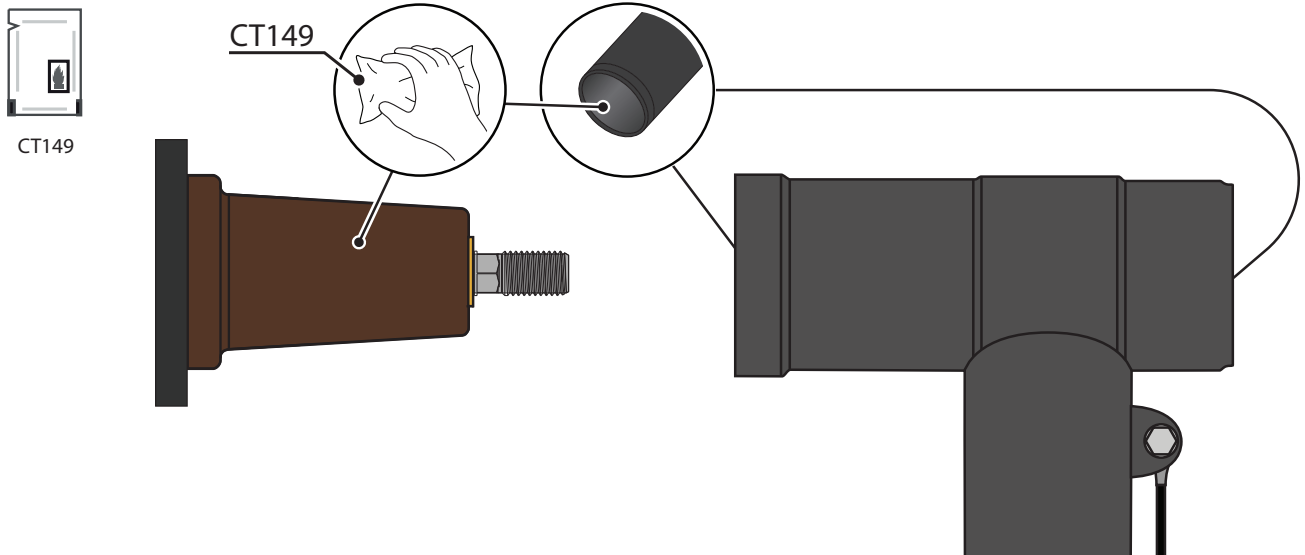
32



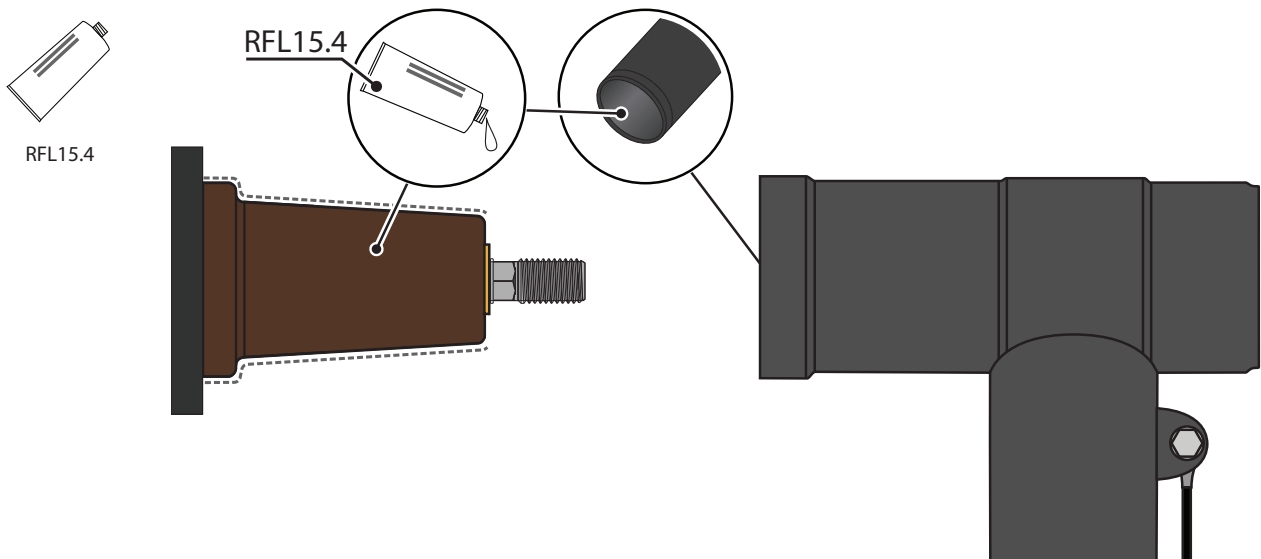
33



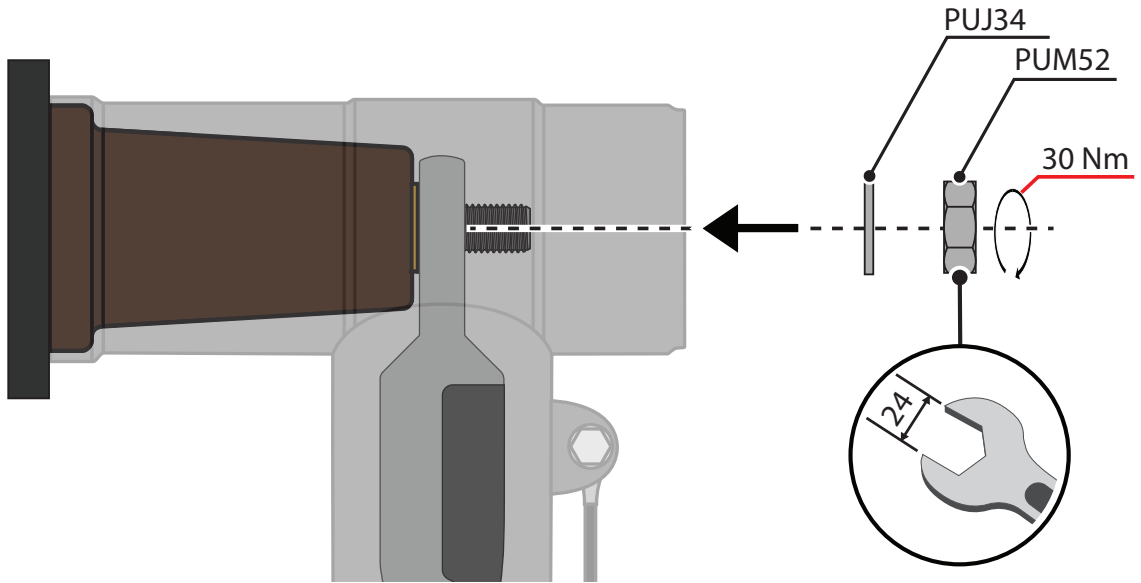
34



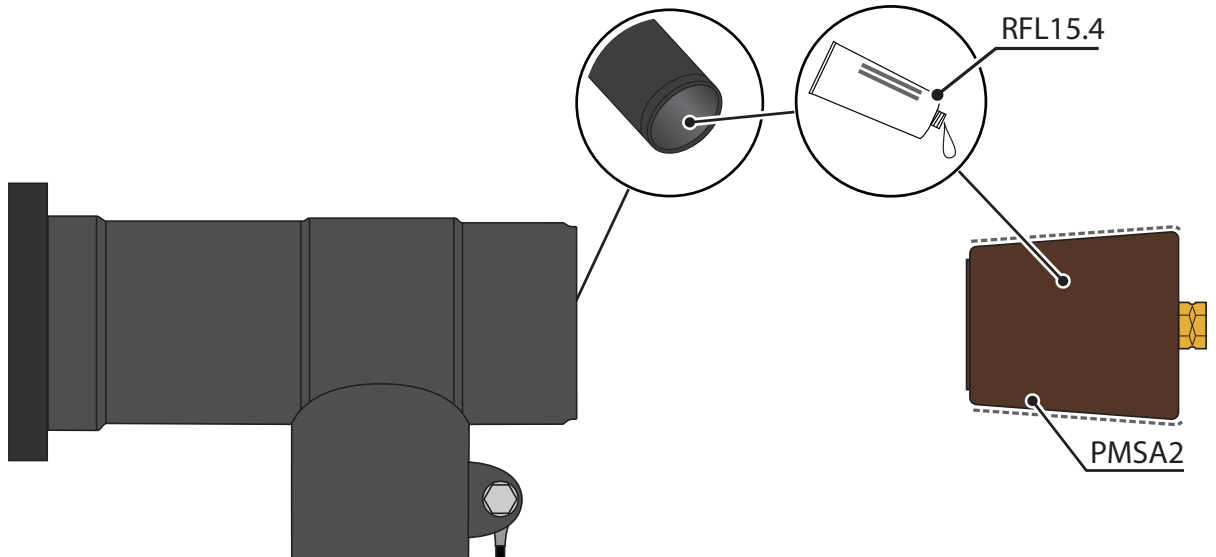
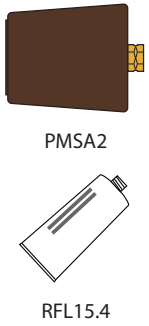
35



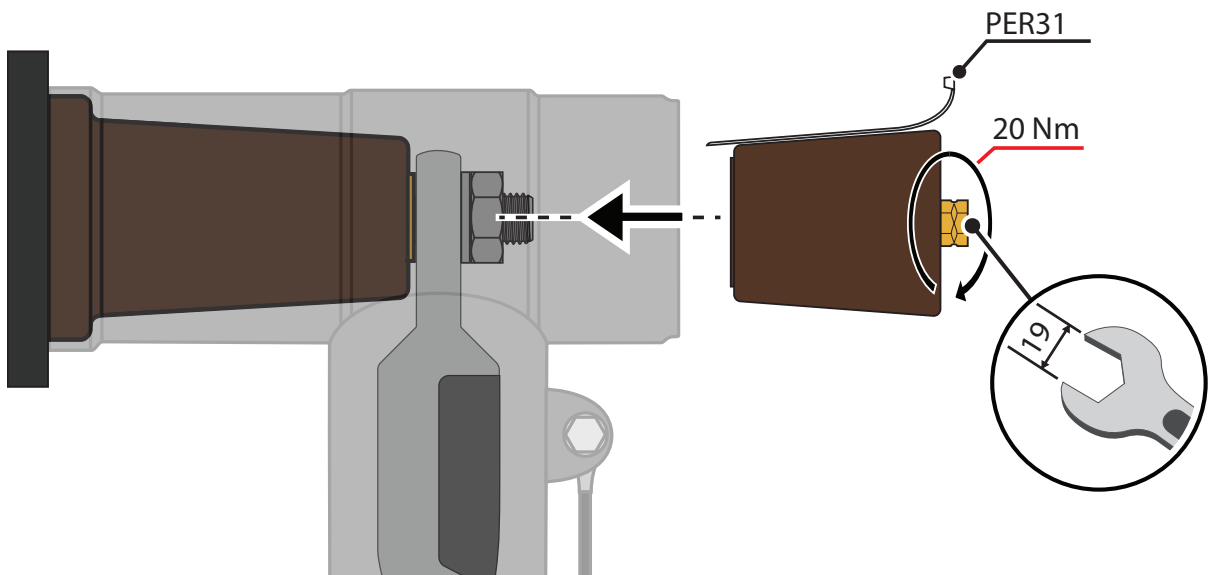
36



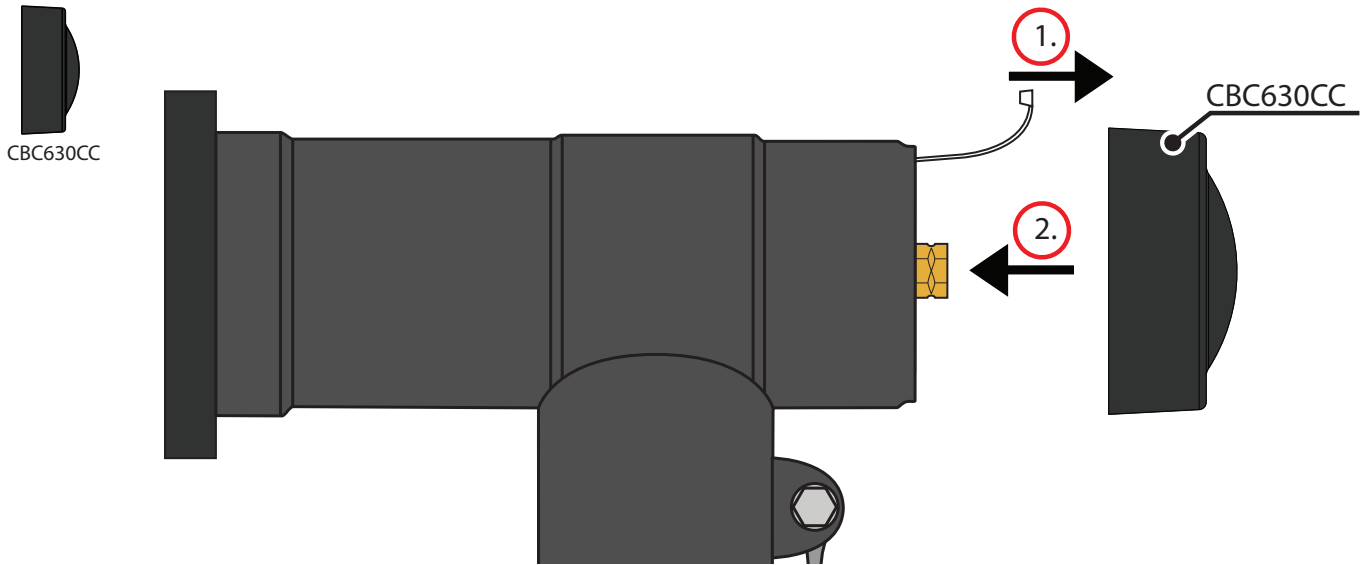
37



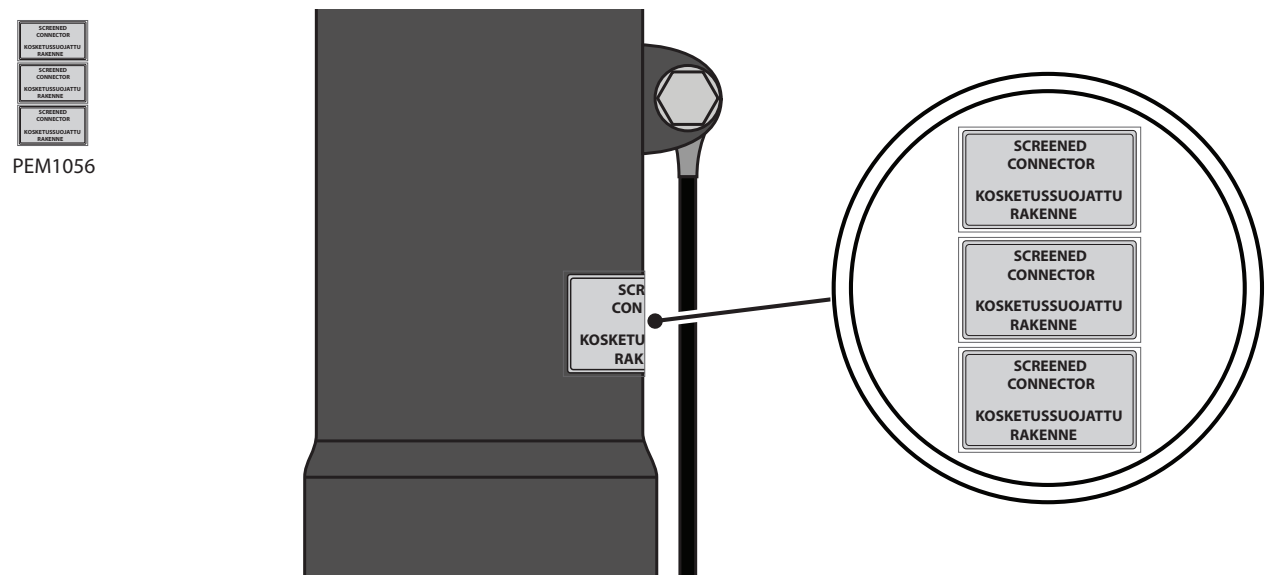
38



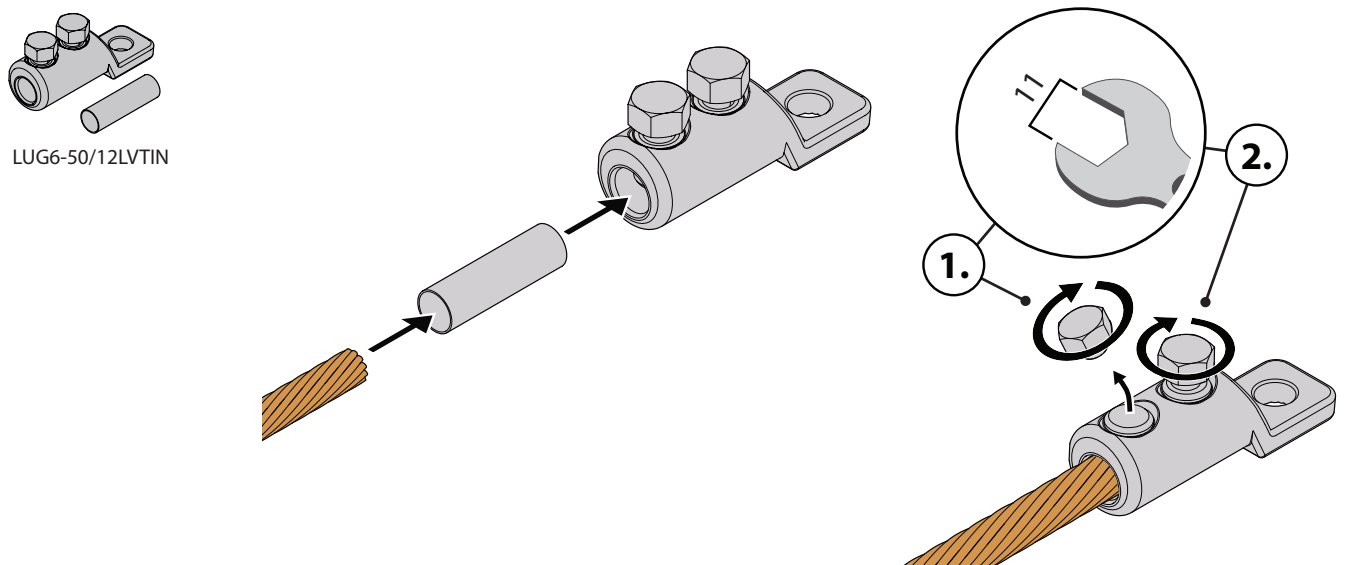
39

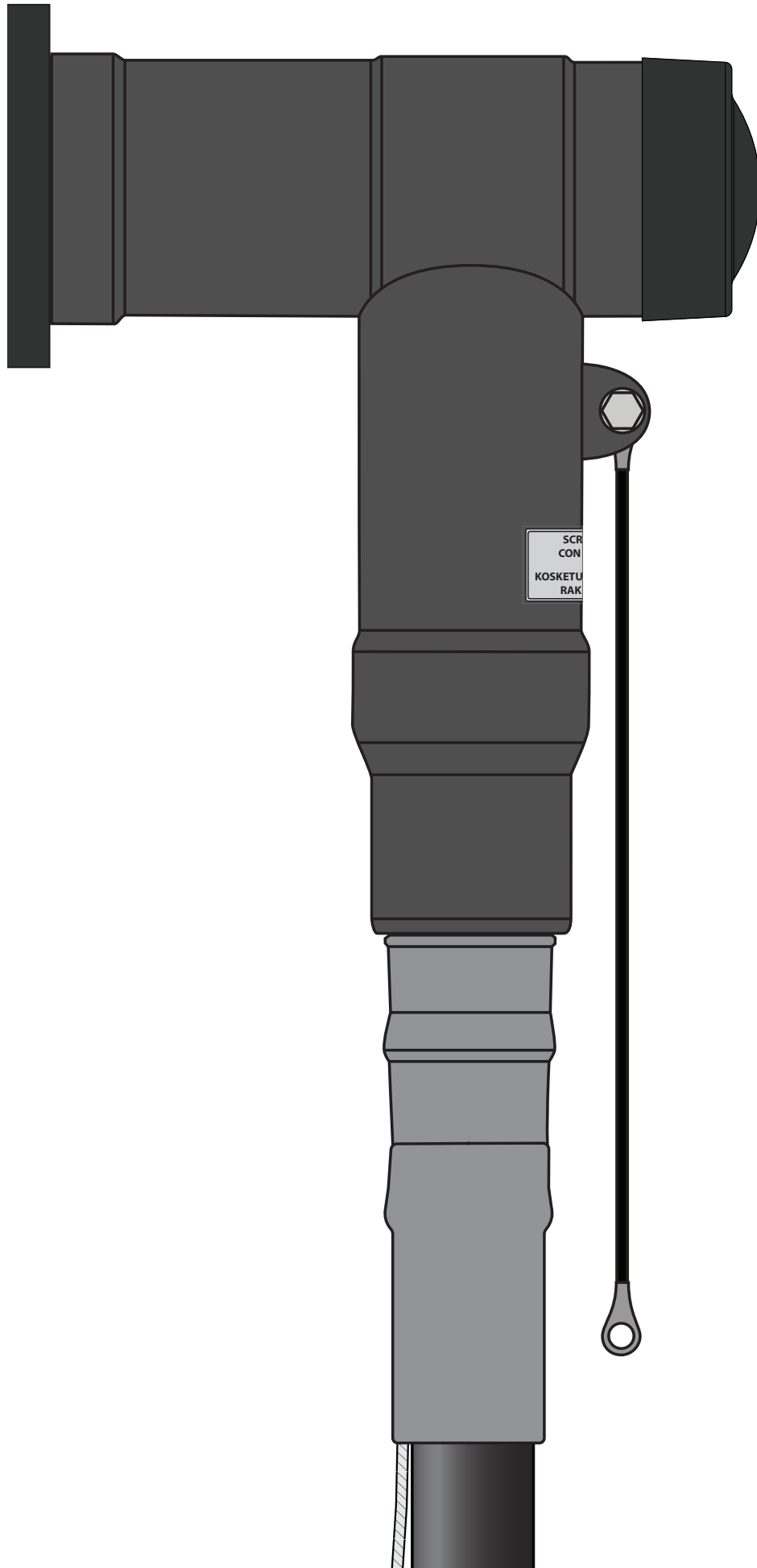


40



41





ENSTO