
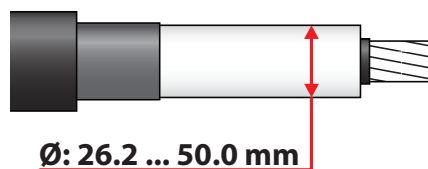
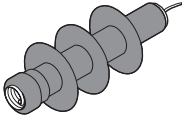

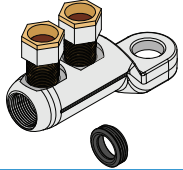
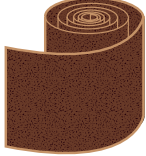
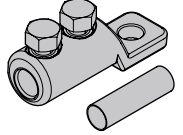

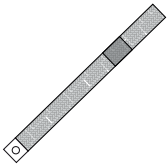

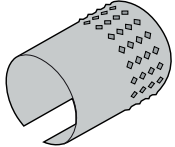

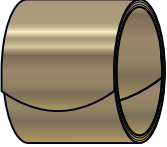
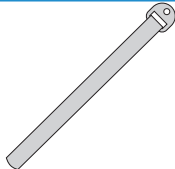
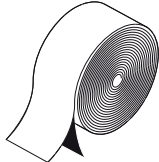
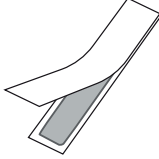




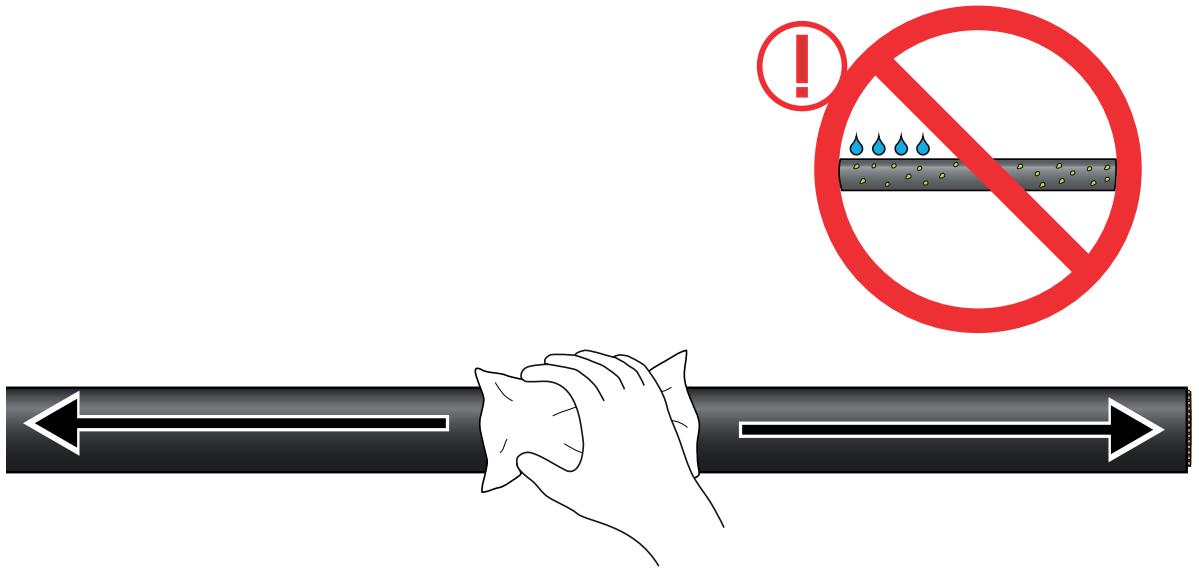
COTW1.2404L

U_o/U_m (kV)	 mm^2
12.7/22 (24) kV	240-300
6.35/11 (12) kV	300

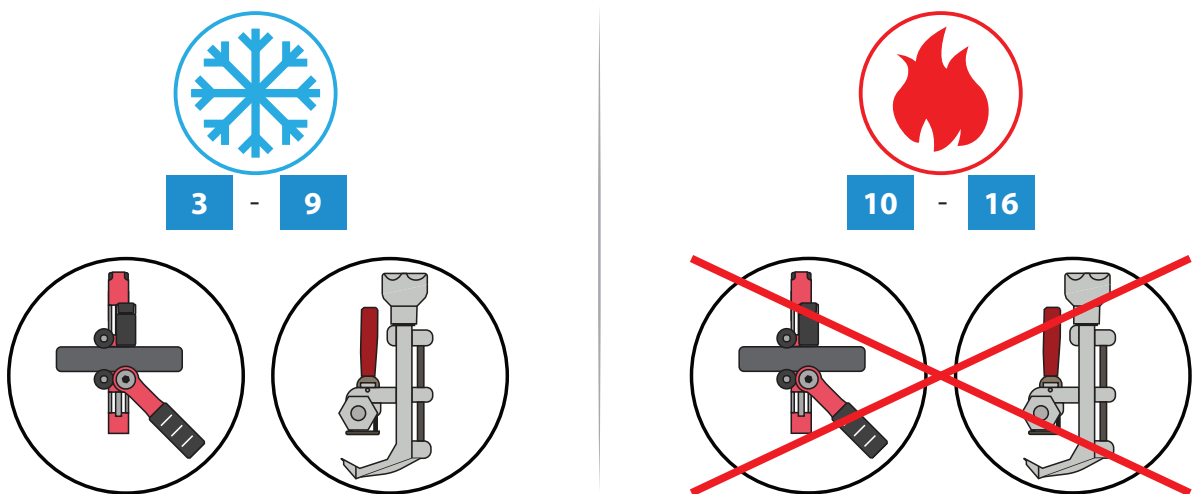


	CTSBGEL22-65L		3		PA23		1
	LA300N13SB2		3		PEE64.1	600 mm	2
	LUG6-50/12LVTIN		1		PEE39	1500 mm	1
	PEE228.1000	1000 mm	3		PEE225W		1
	PEE237.1		3		PEM-COTW1.2404L		1
	SF4		3				
	PER53		3				
	SSITA42.1000	1000 mm	3				
	SMG100	100 mm	12				
	MPA21 RFL15		3 3				
	CT149		3				

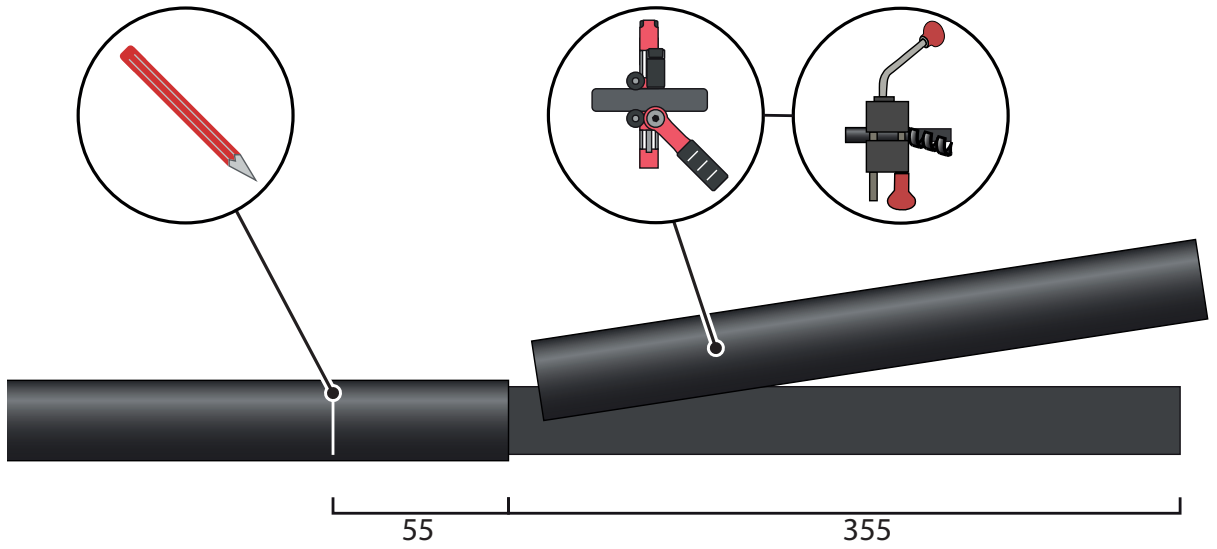
1



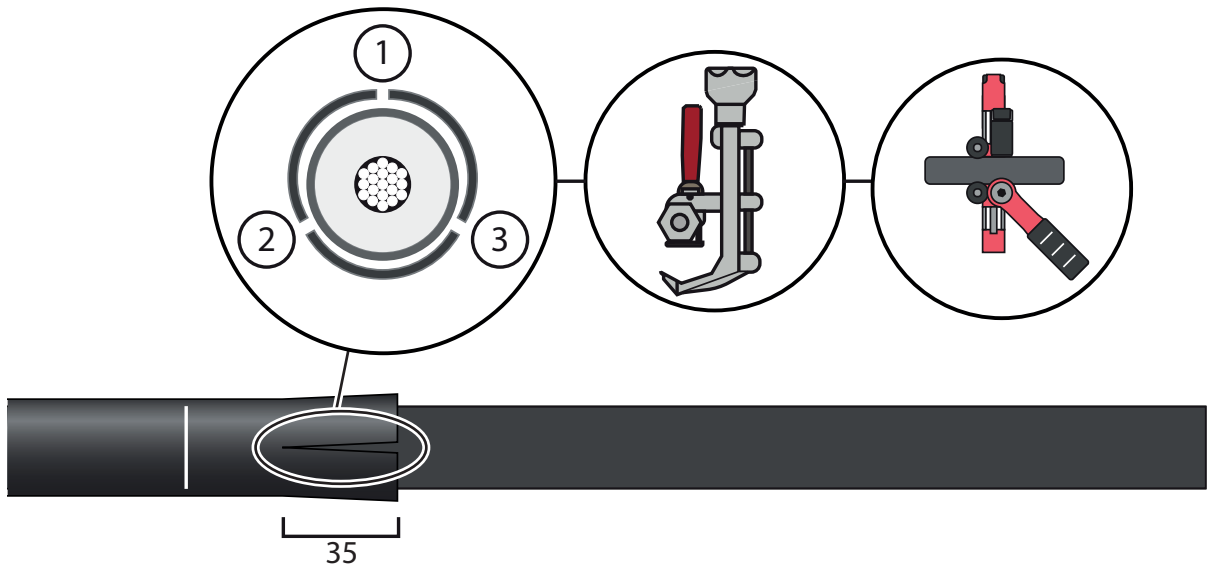
2



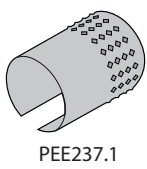
3 



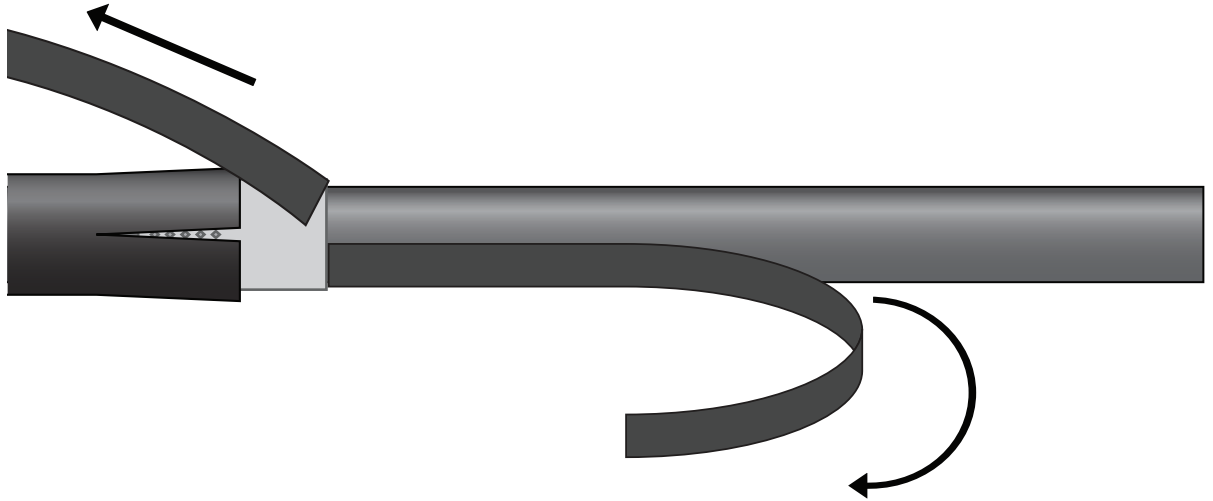
4 



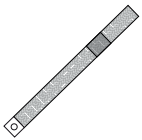
5 



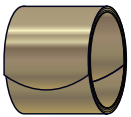
6



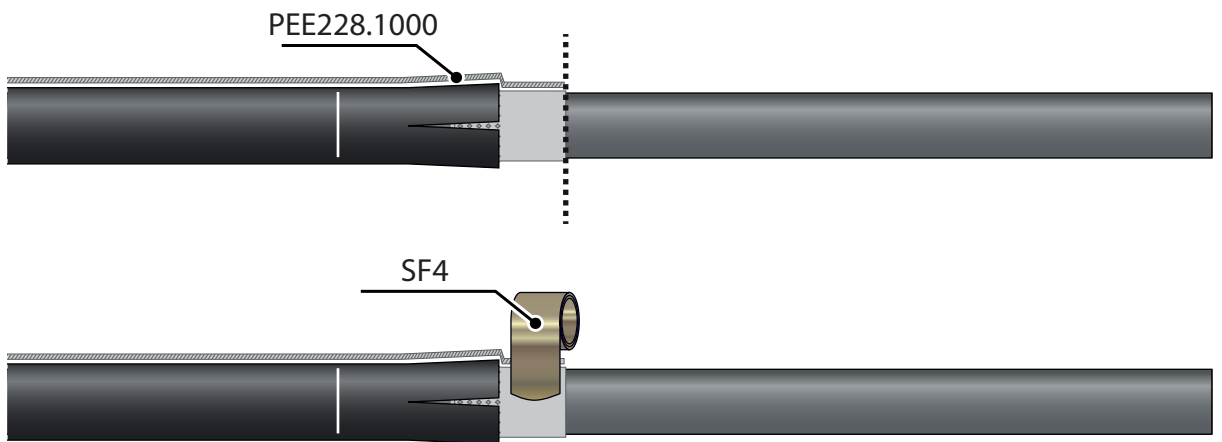
7



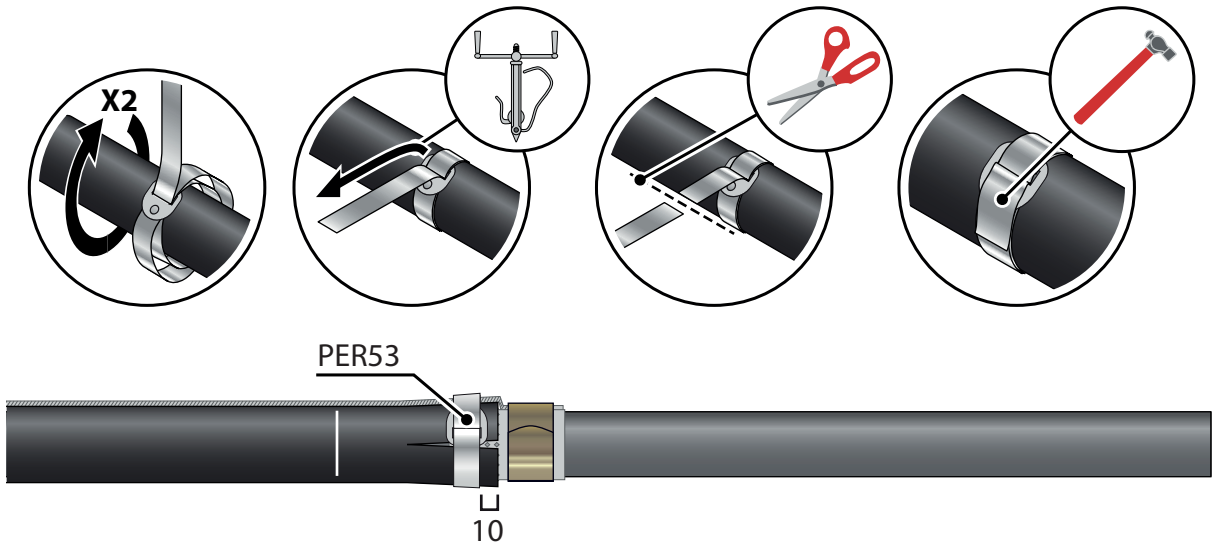
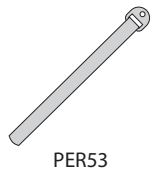
PEE228.1000



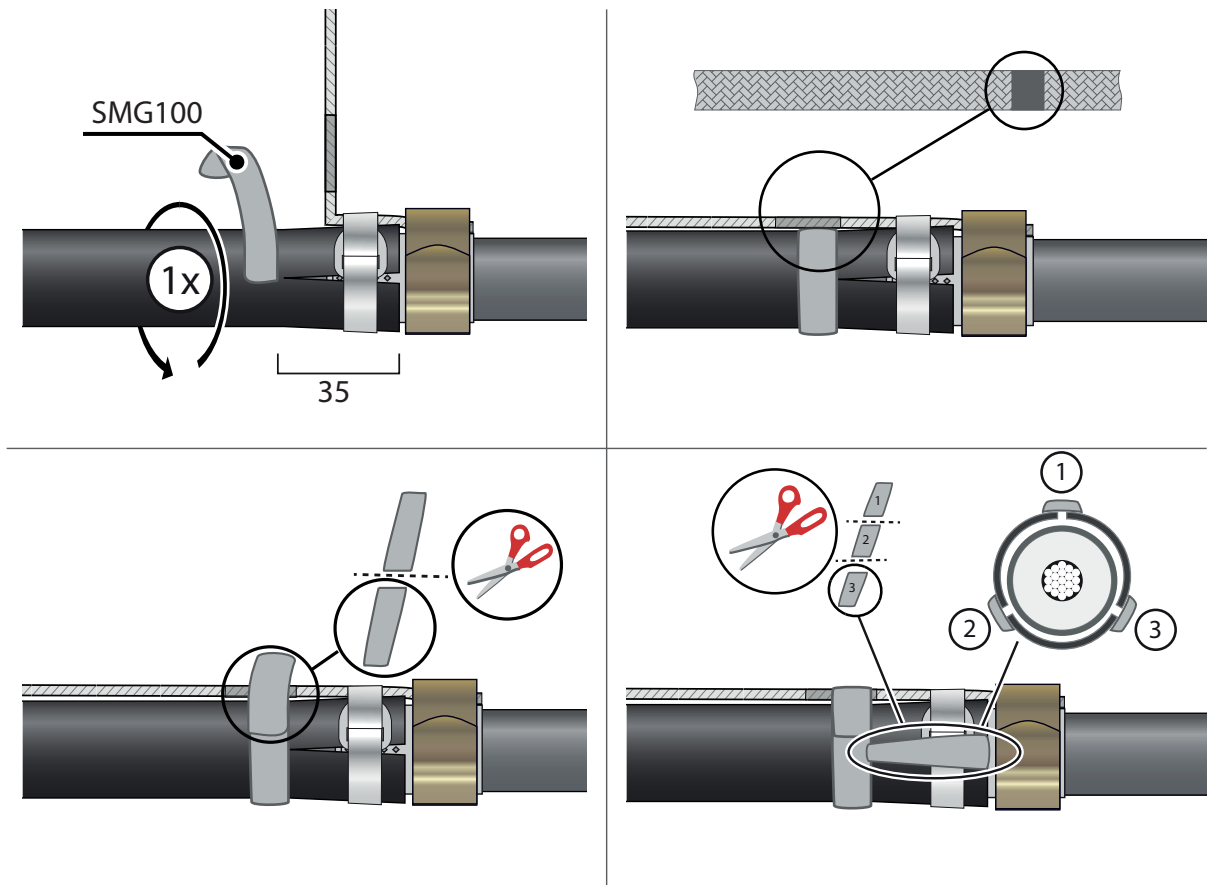
SF4



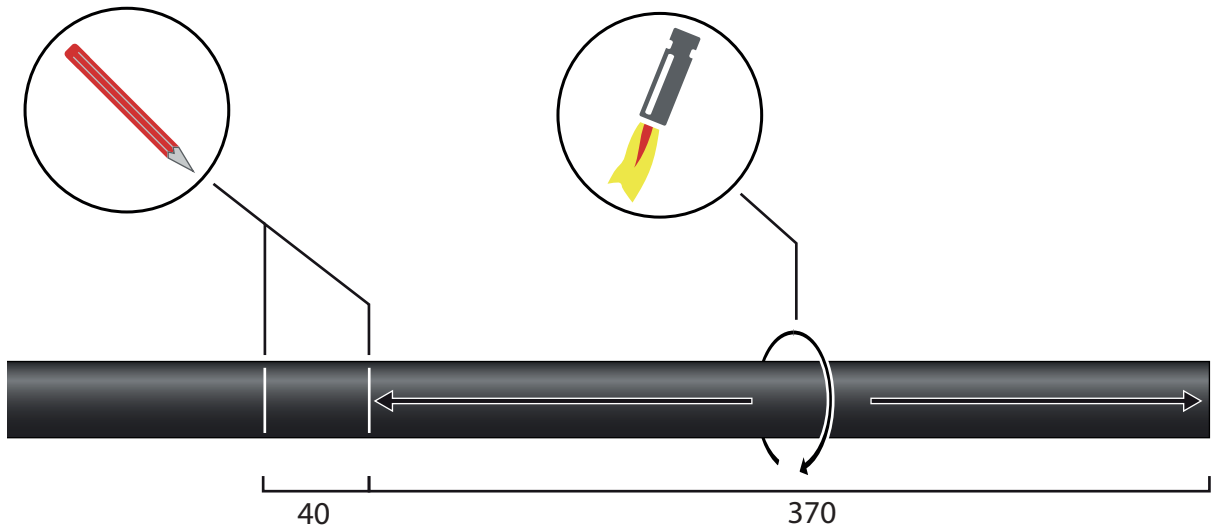
8 



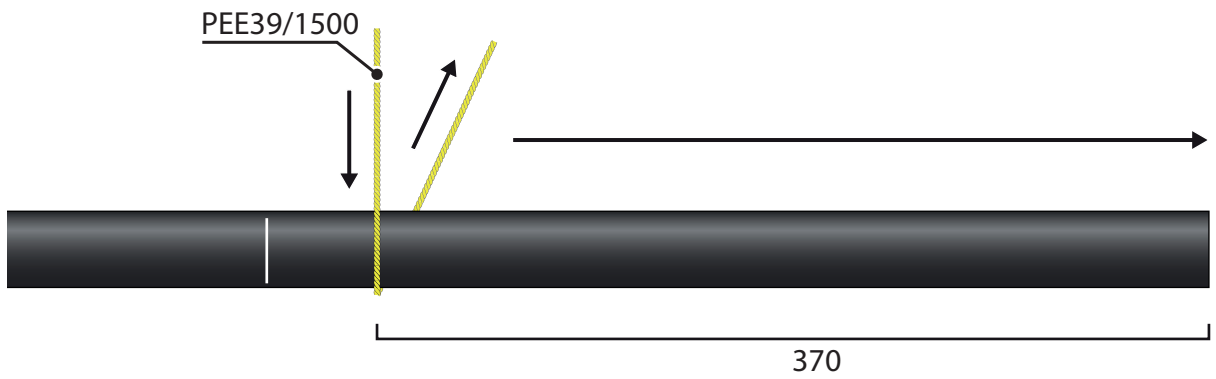
9 



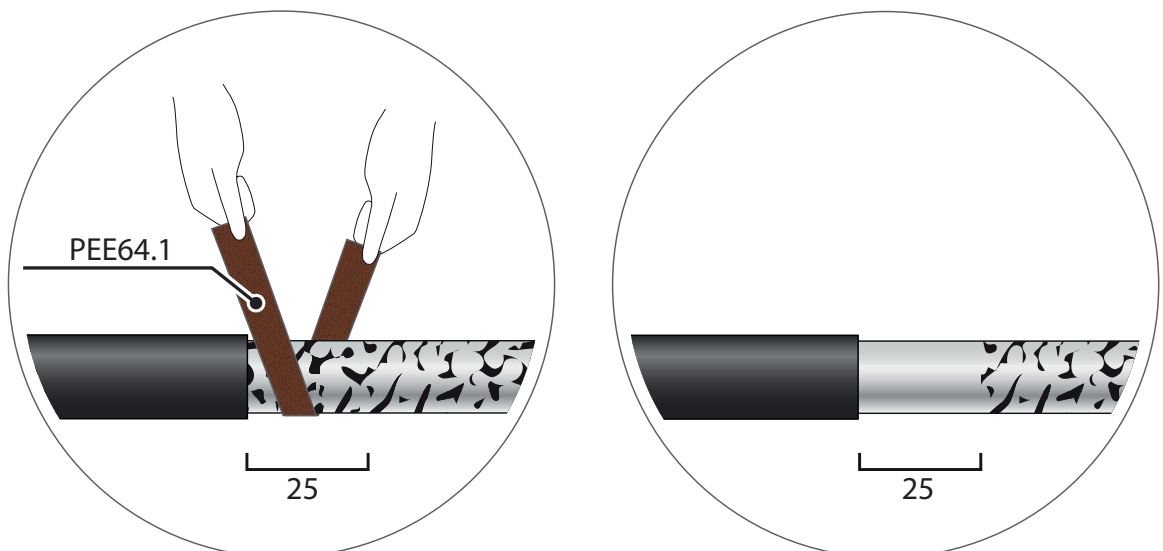
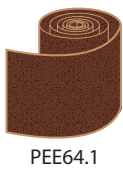
10 



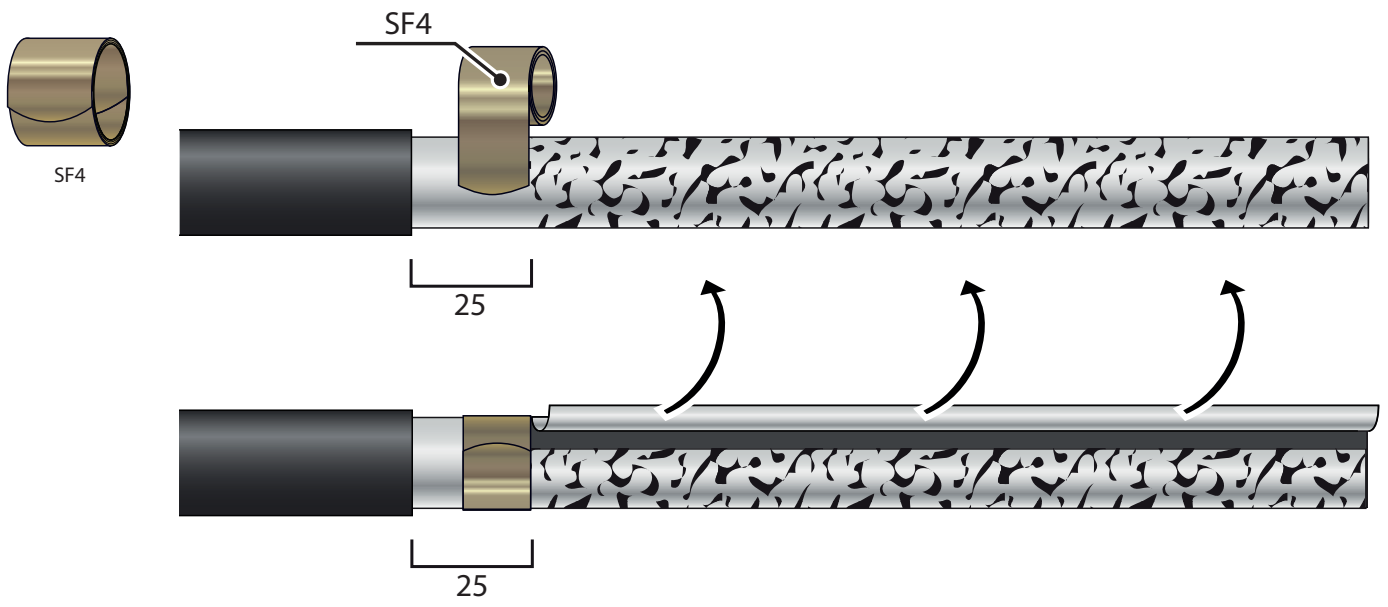
11 



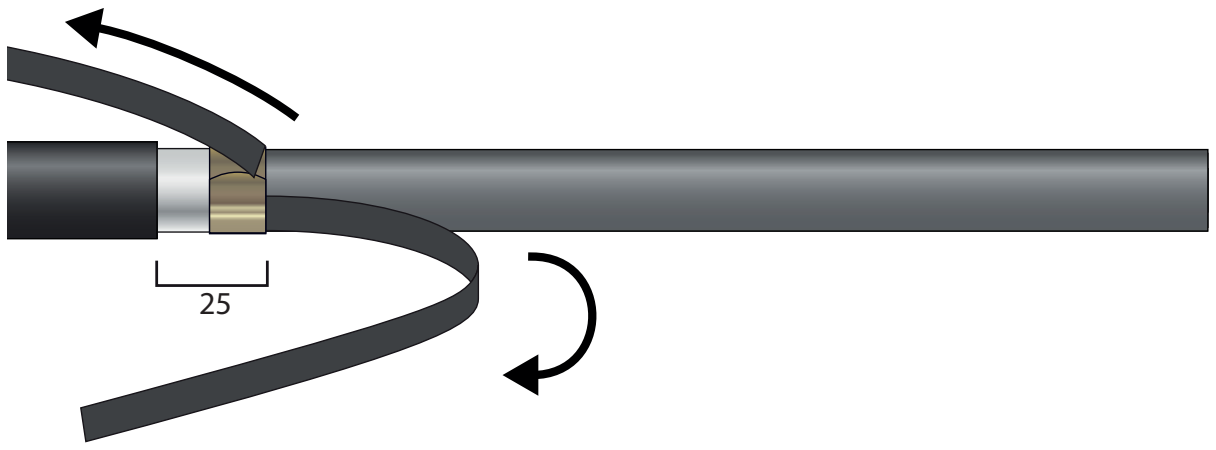
12 



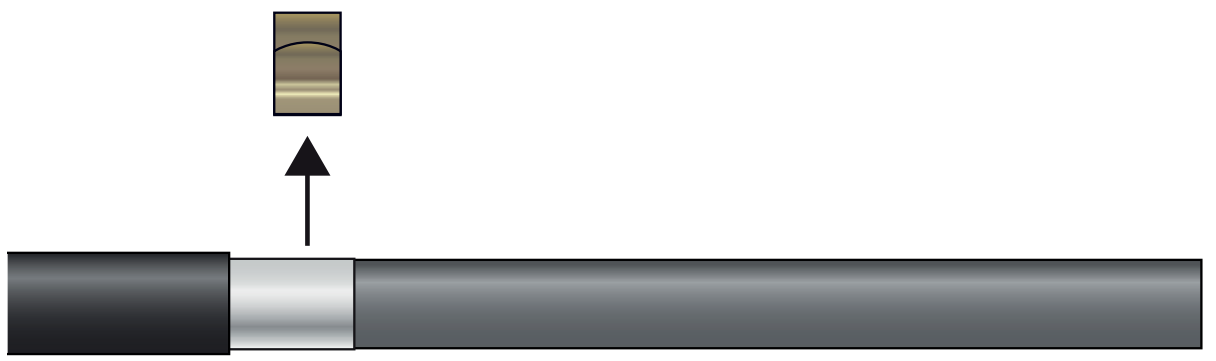
13 

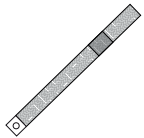


14 

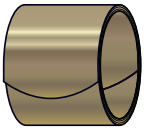


15 

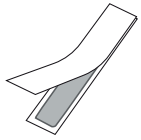




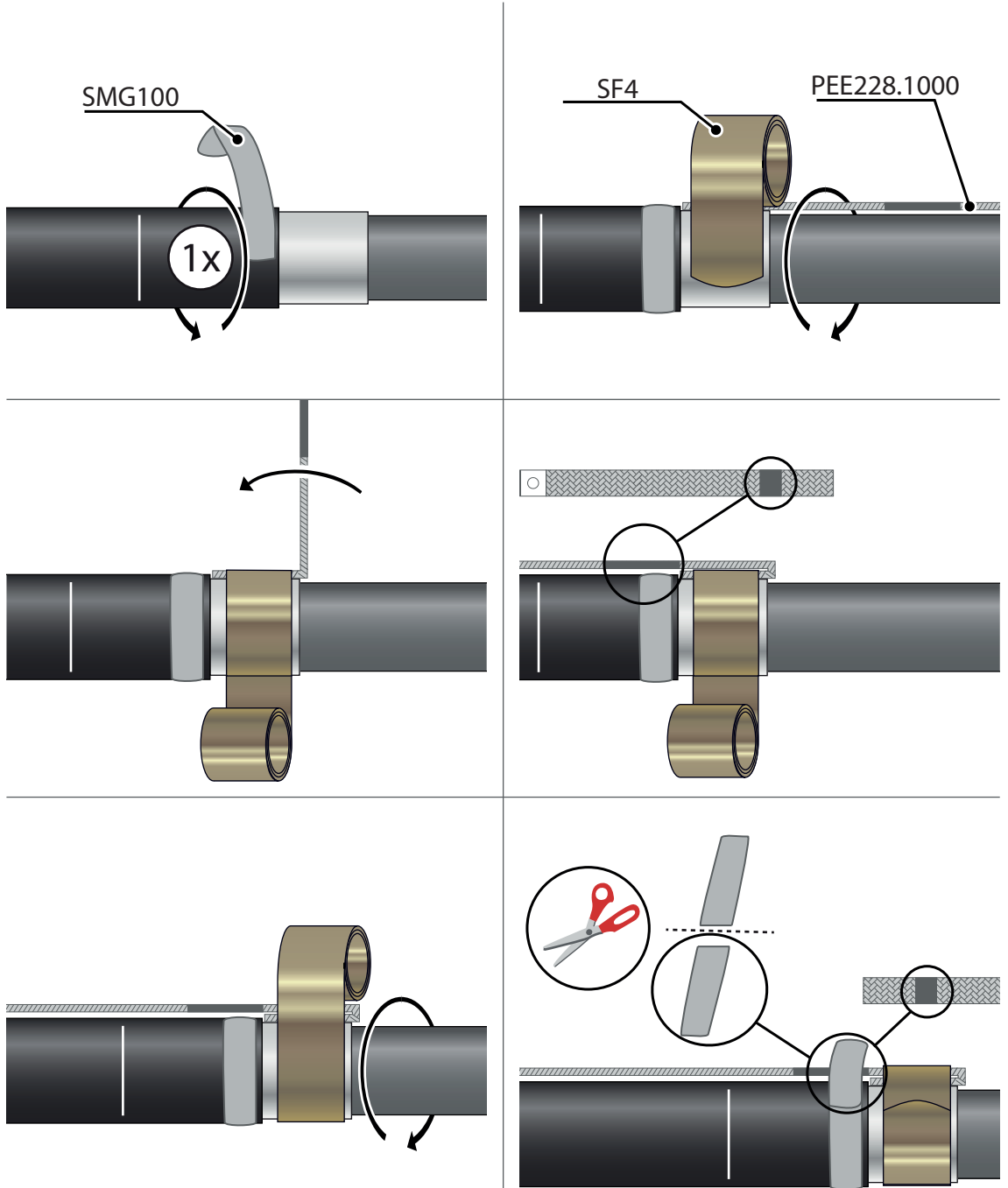
PEE228.1000



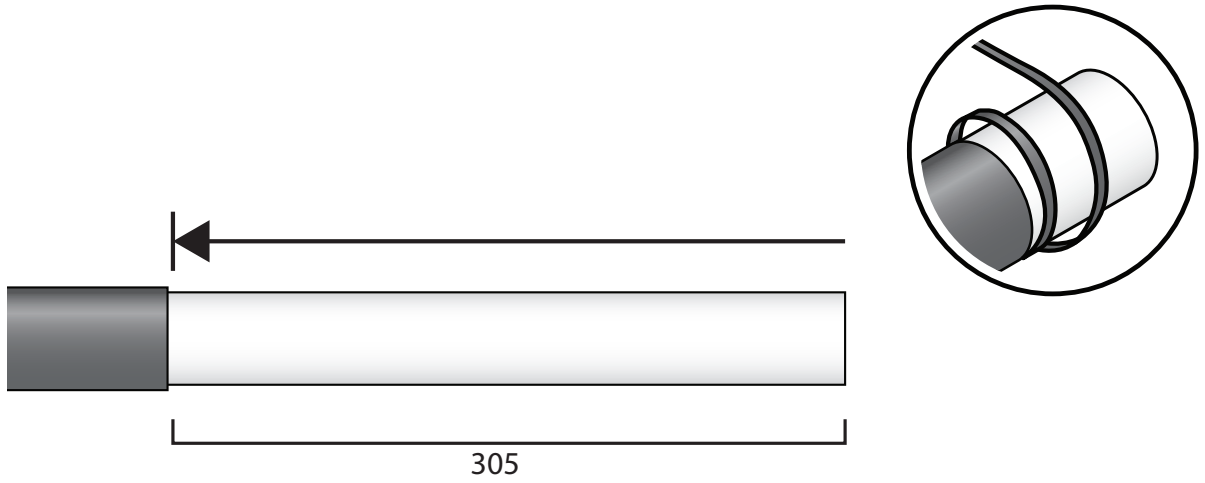
SF4



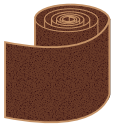
SMG100



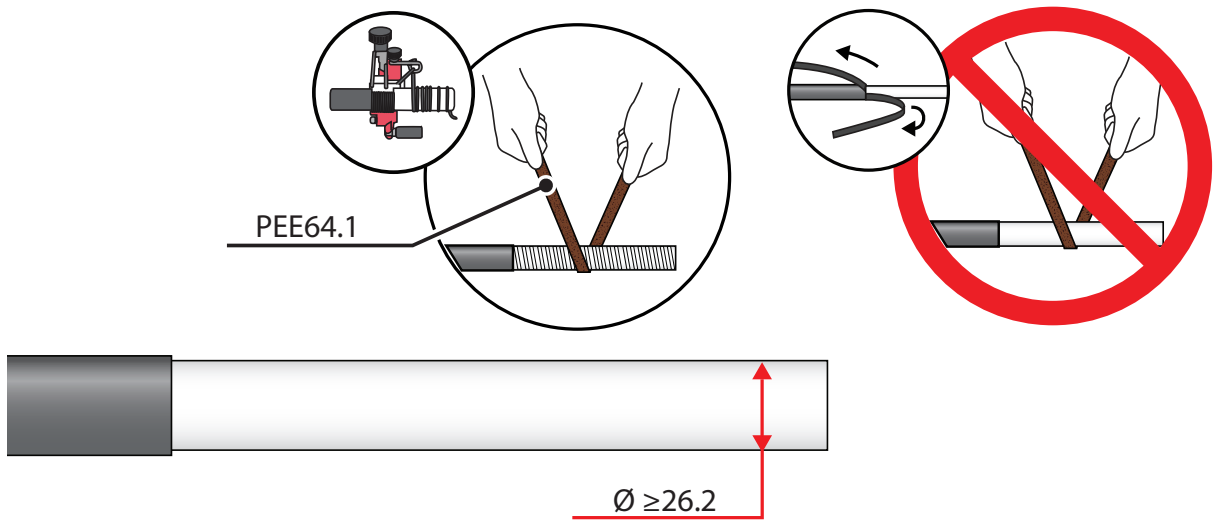
17



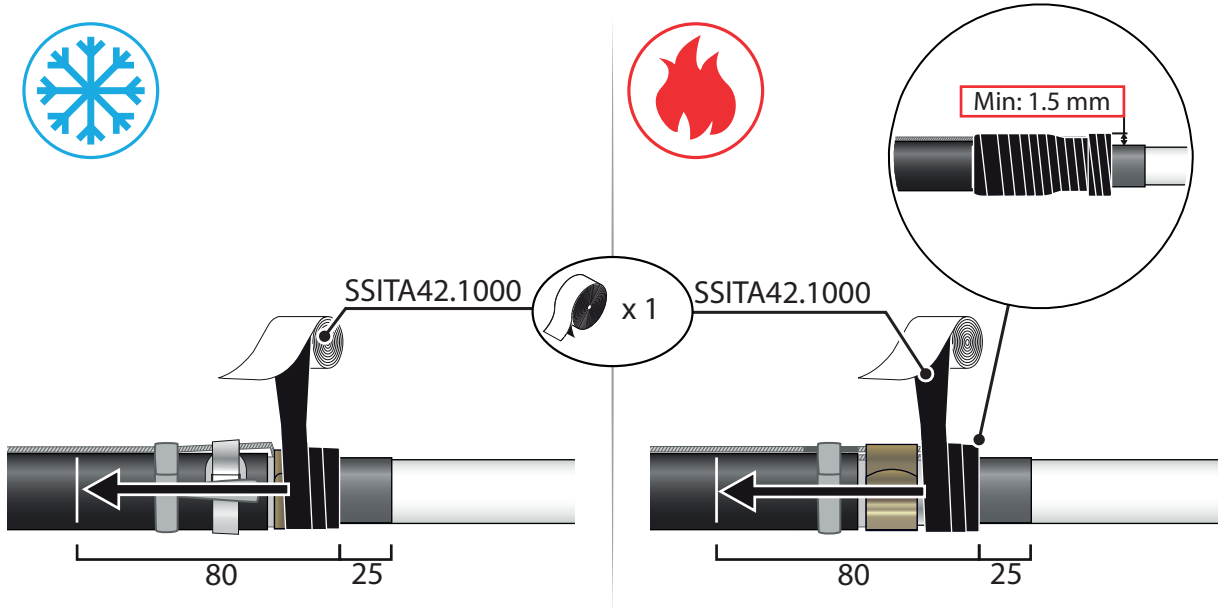
18



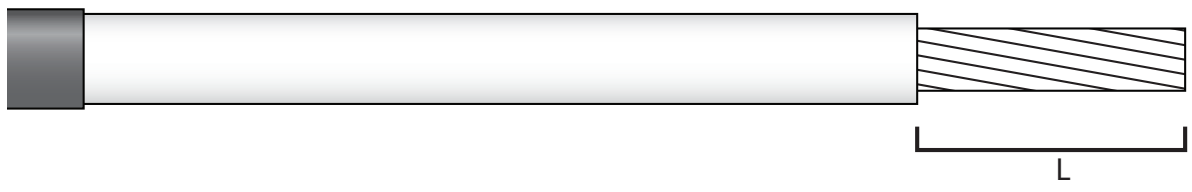
PEE64.1



19

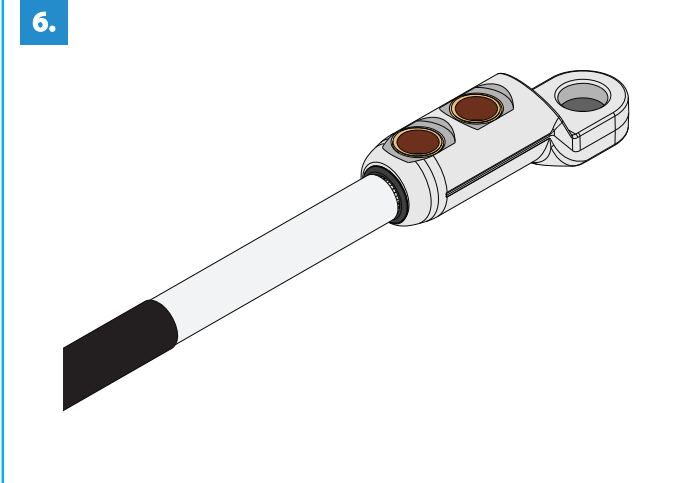
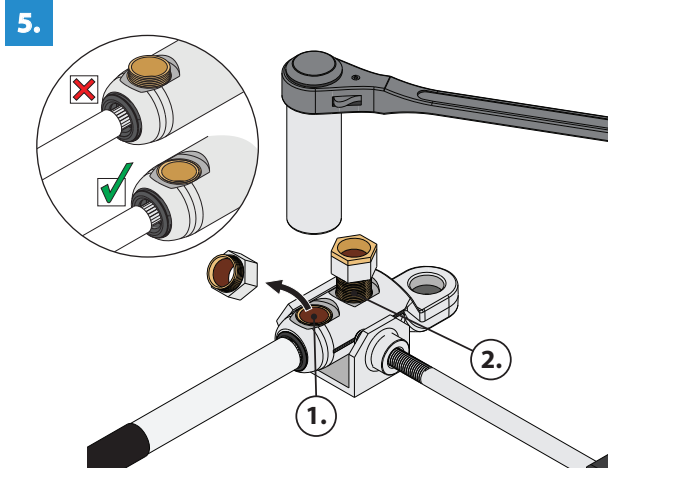
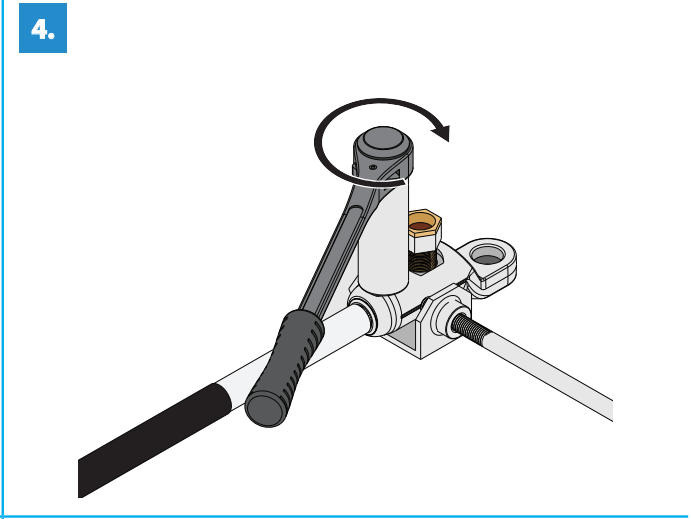
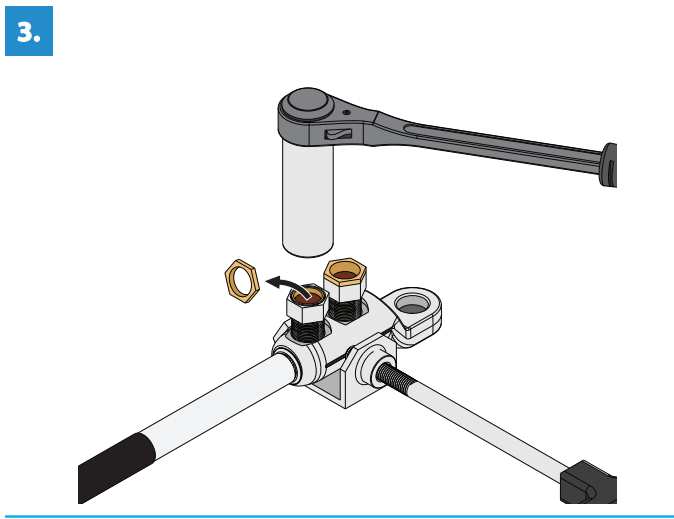
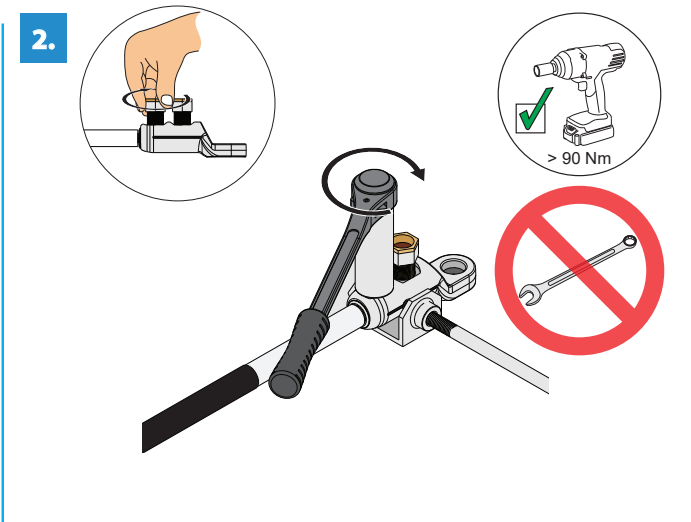
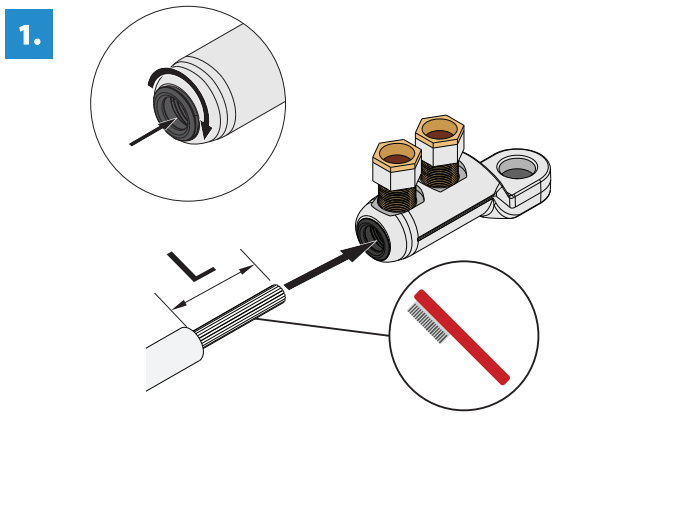


20





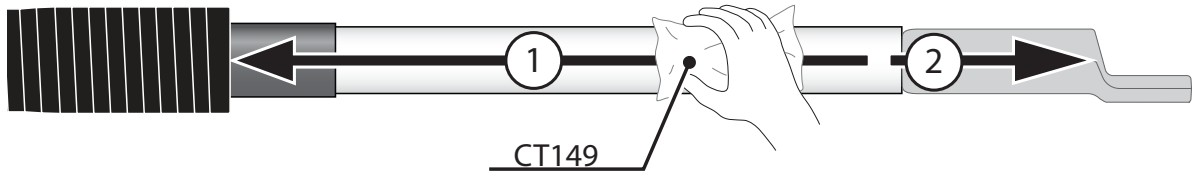
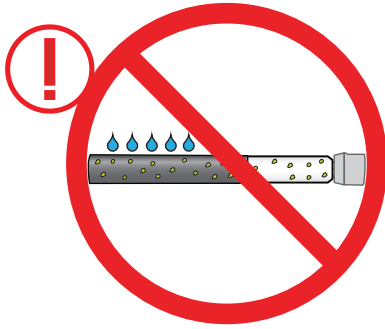
	mm	mm ²	mm ²	mm ²	mm	mm ²	mm	mm
LA300N13SB2	11.0-21.6	95-300	90° 95-185 120° 95-150	90° 95-185 120° 95-150	60	95-150	d = 21 L _{min} = 26	13 mm



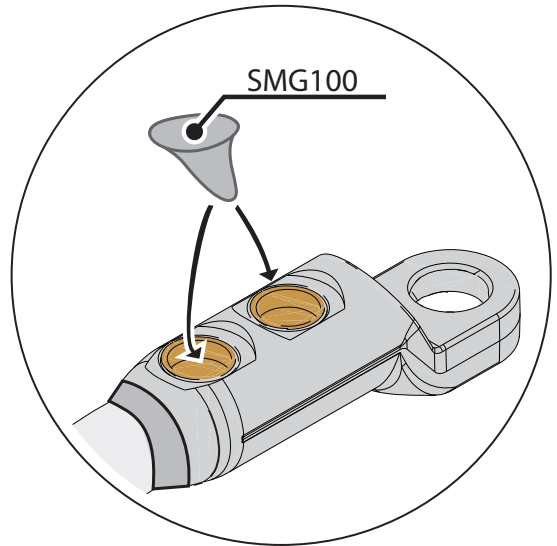
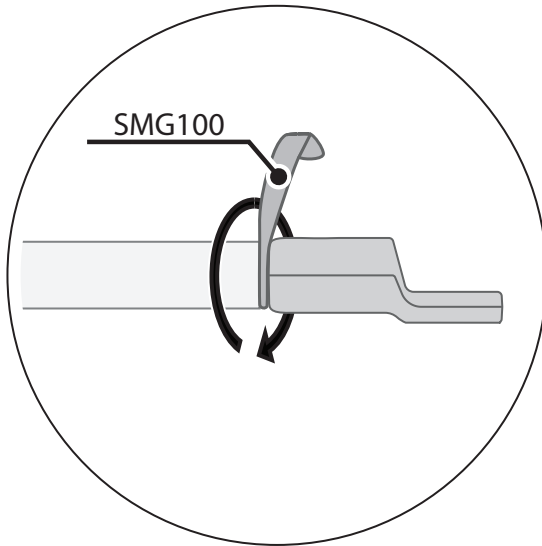
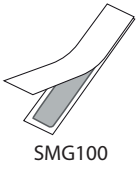
22



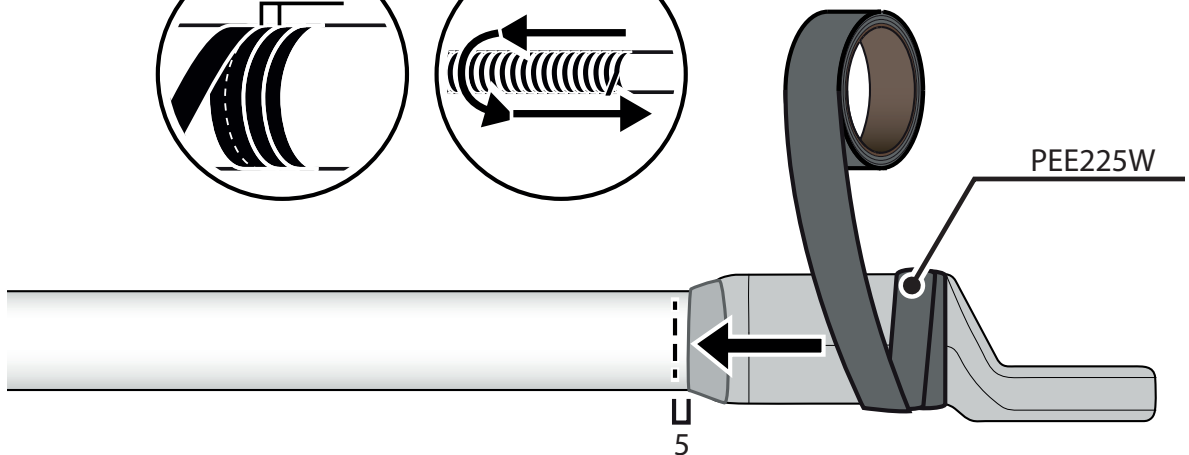
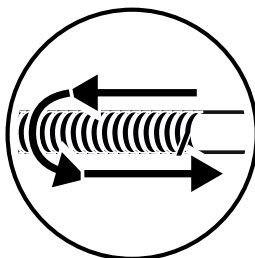
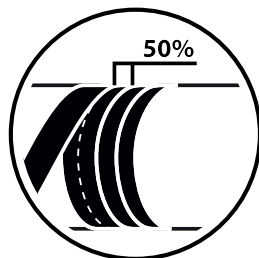
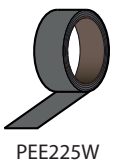
CT149



23



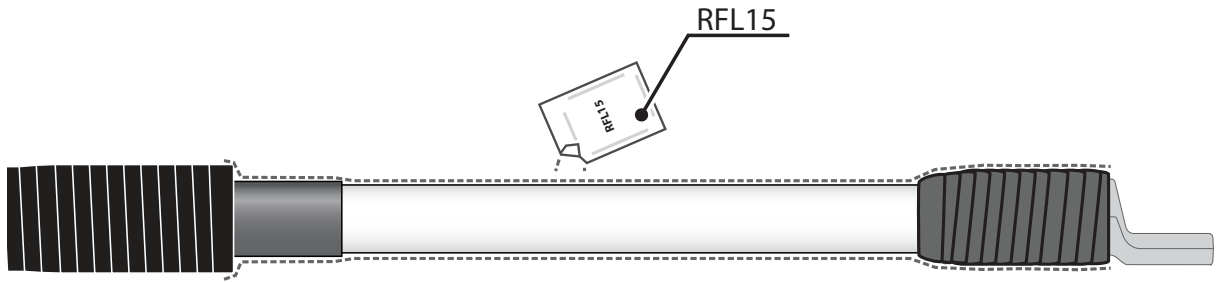
24



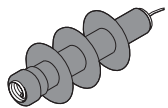
25



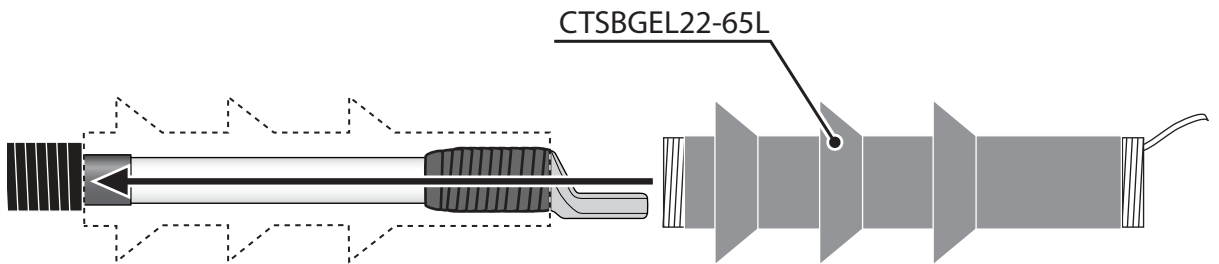
RFL15



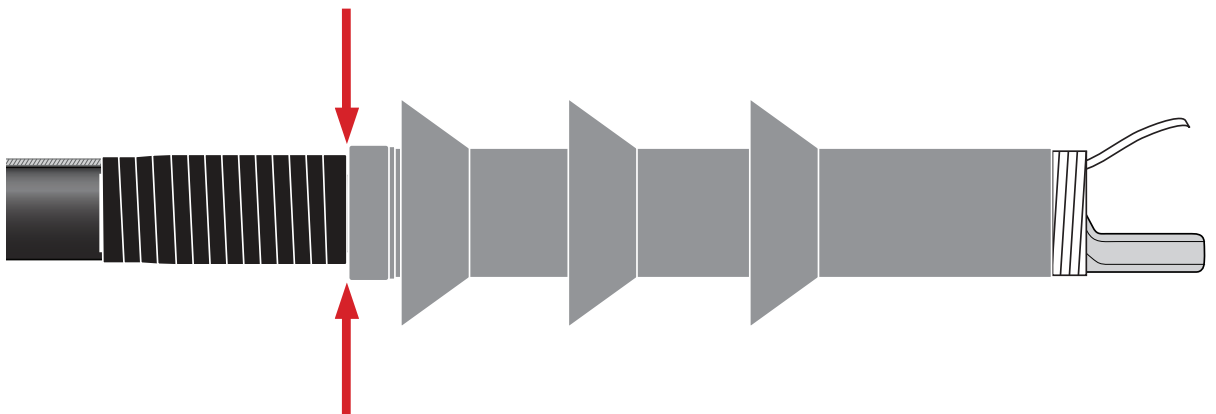
26



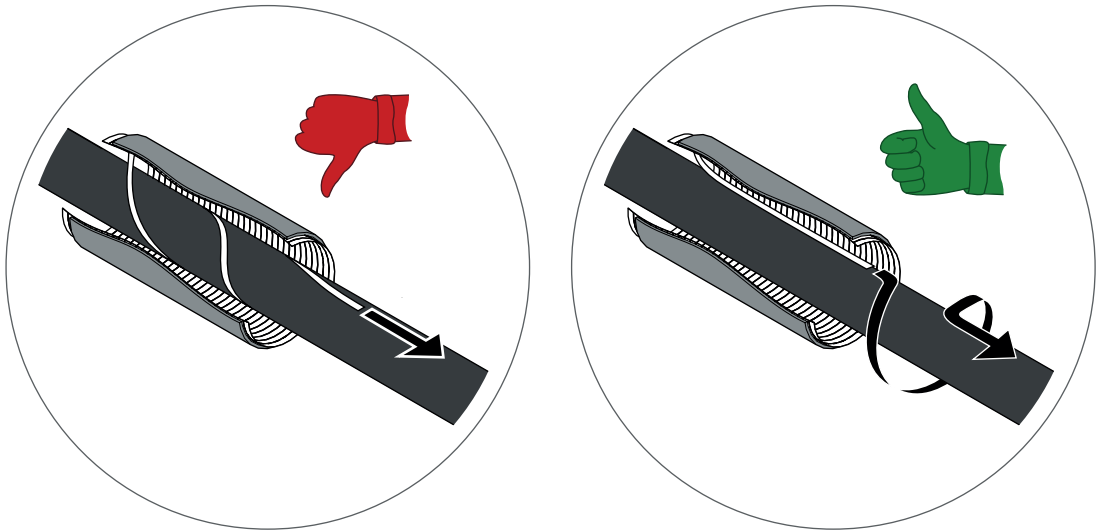
CTSBGEL22-65L



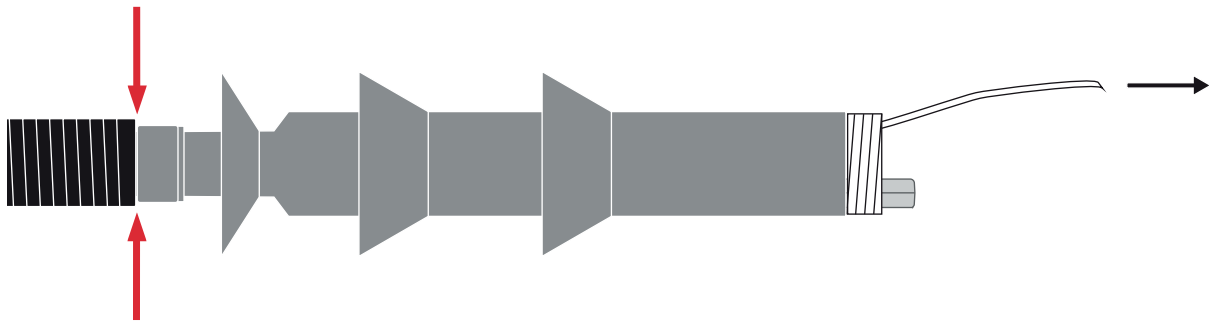
27



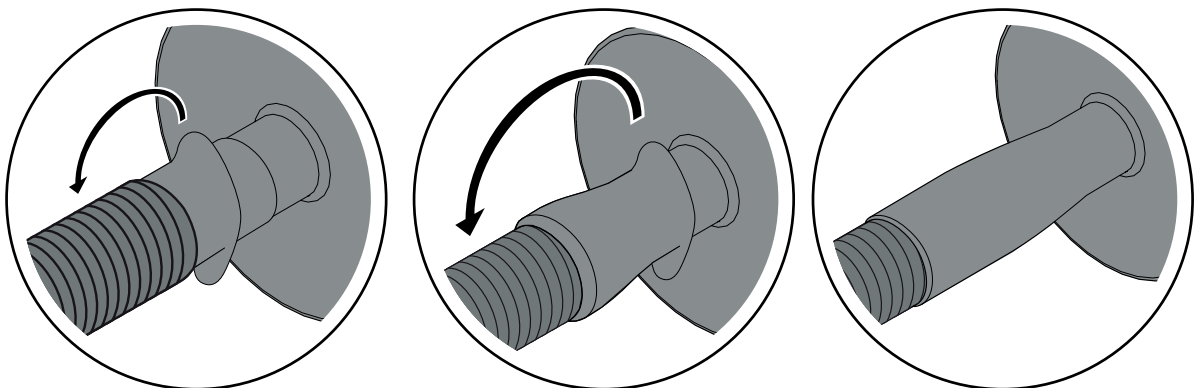
28

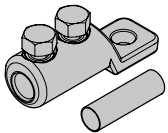
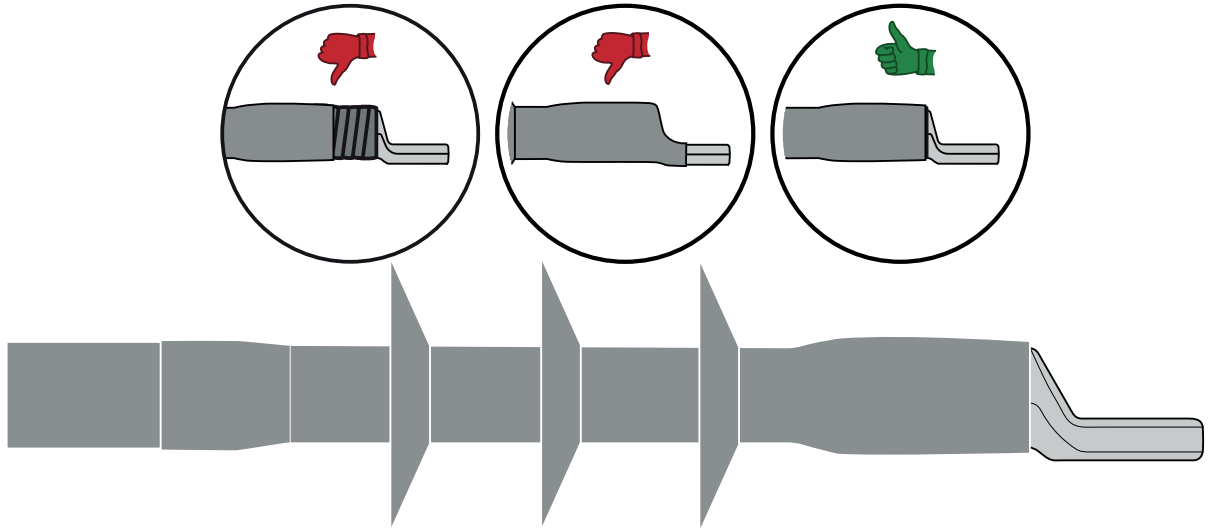


29

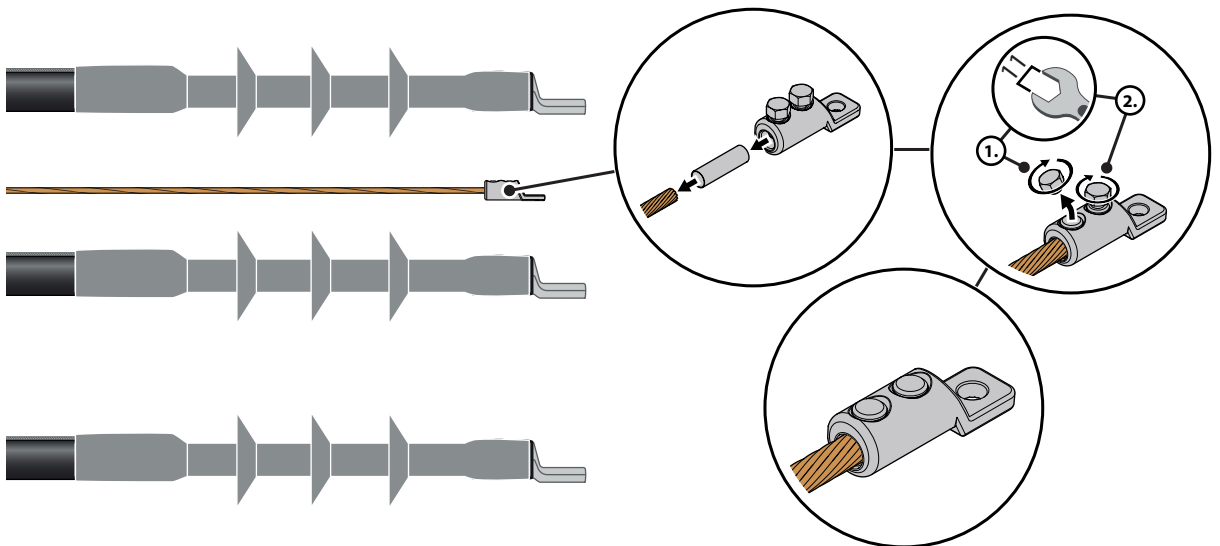


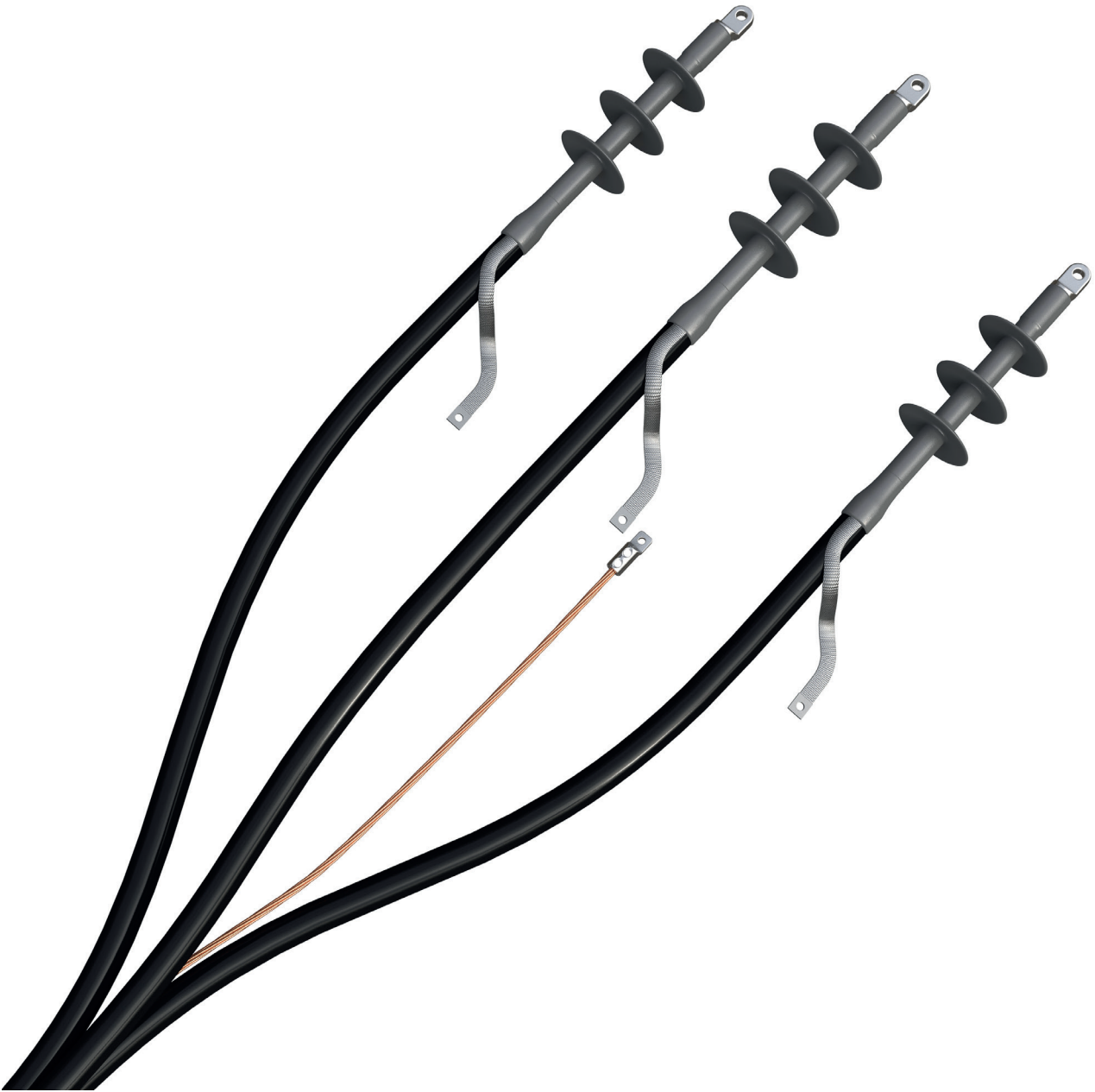
30





LUG6-50/12LV TIN







	12 kV	24 kV	36 kV	42 kV
a	§§§	§§§	§§§	§§§
b	§§§	§§§	§§§	§§§
c (mm)	15	25	35	45
d (mm)	10	20	25	35

§ § § = according to local requirements

ENSTO