


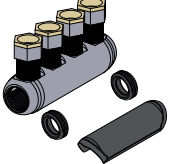
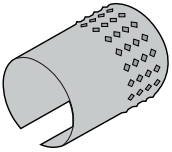
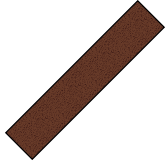


CJWH11.2403C

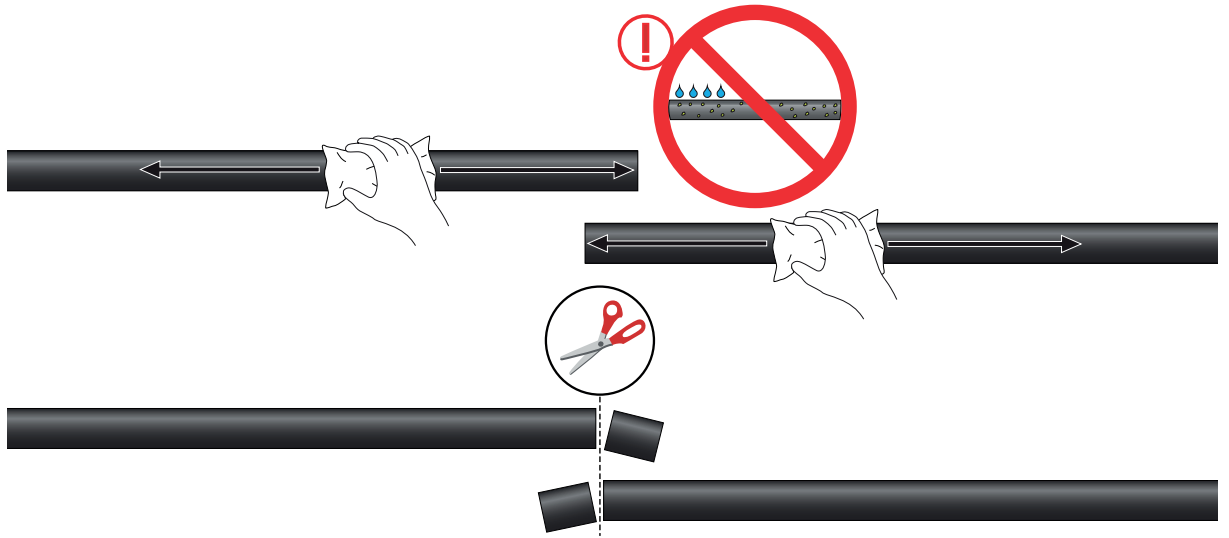
$U_o/U (U_m)$ kV	 mm ²
12.7/22 (24) kV	70-240
6.35/11 (12) kV	120-240



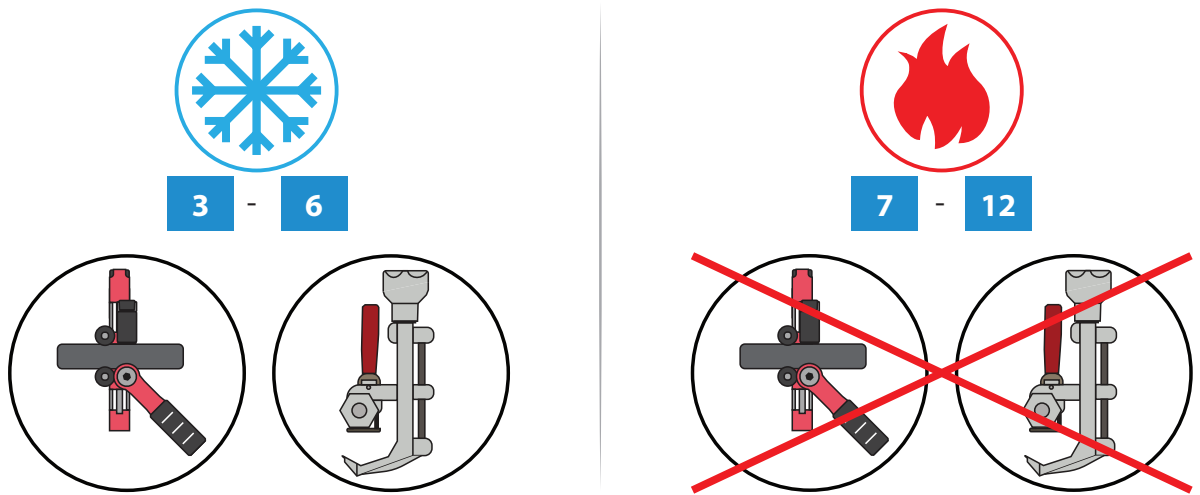
\varnothing : 19.3 ... 36.0 mm

	CSJM16-45/340-50L		3		PA23		2
	CPEEPL68-19	750 mm	3		SSATA10		6
	CA240SB4		3		PEE64.1	600 mm	2
	PEE237.1		6		PEE64	150 mm	2
	PER53		6		PEE39/1500		2
	SE12.101		1		PEM-CJWH11.2403C		1
	PEE226	525 mm	3				
	SF3		6				
	ALT75/140		3				
	MPA21 RFL15		3 3				
	CT149		6				

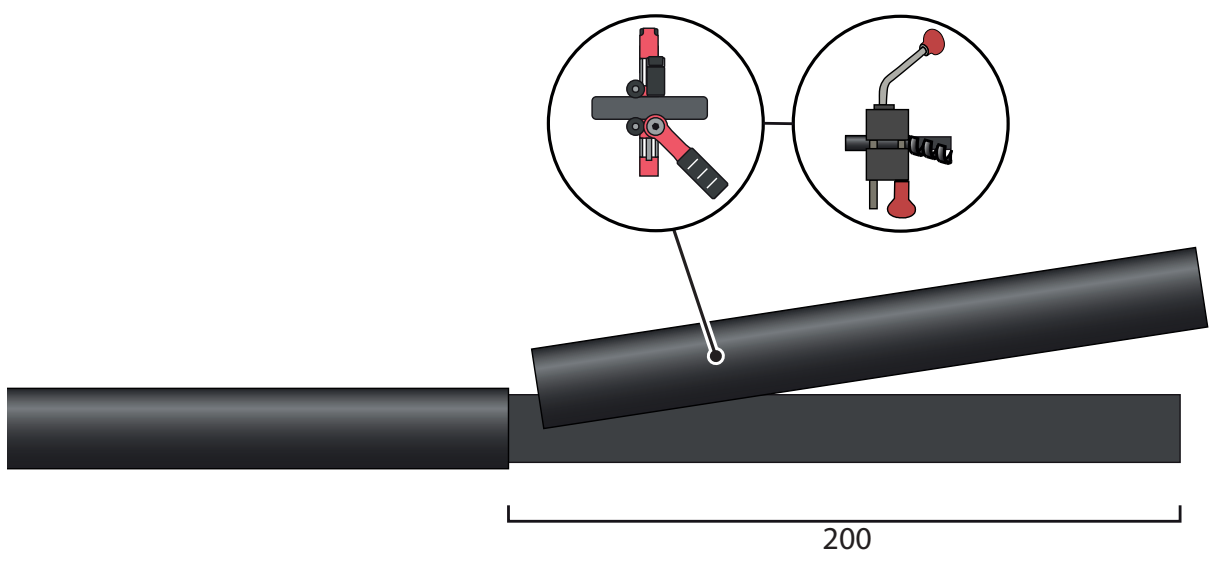
1  



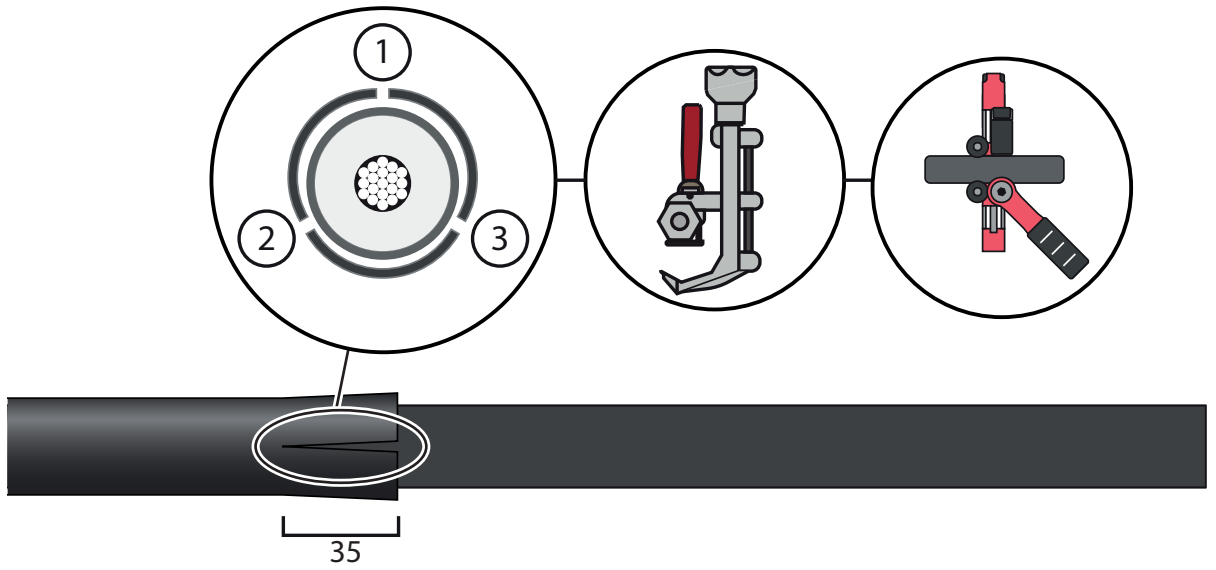
2



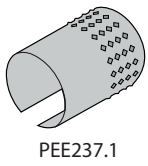
3 



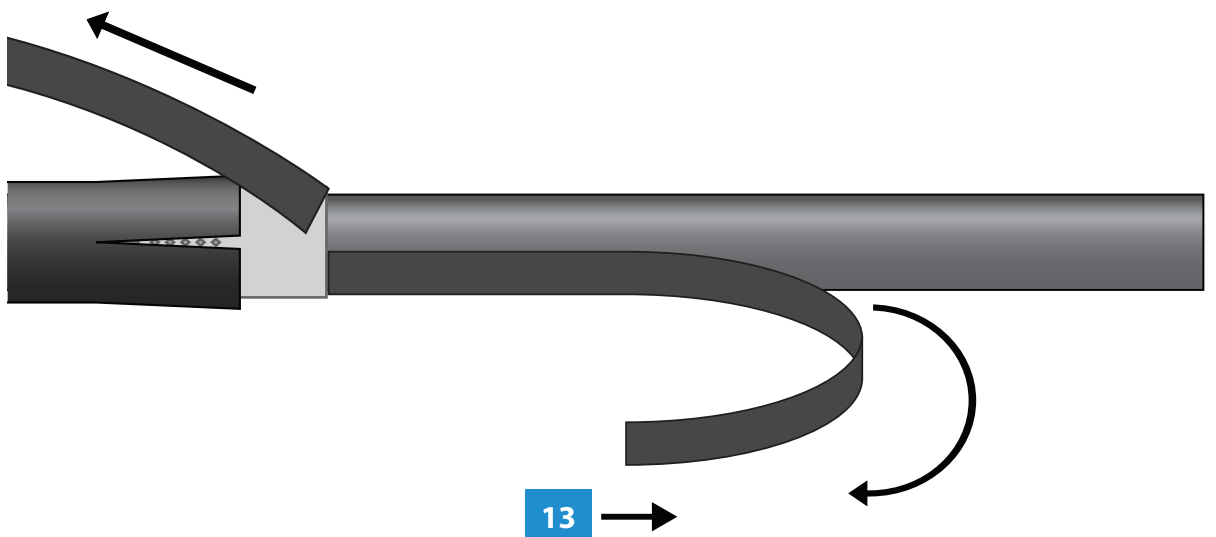
4 



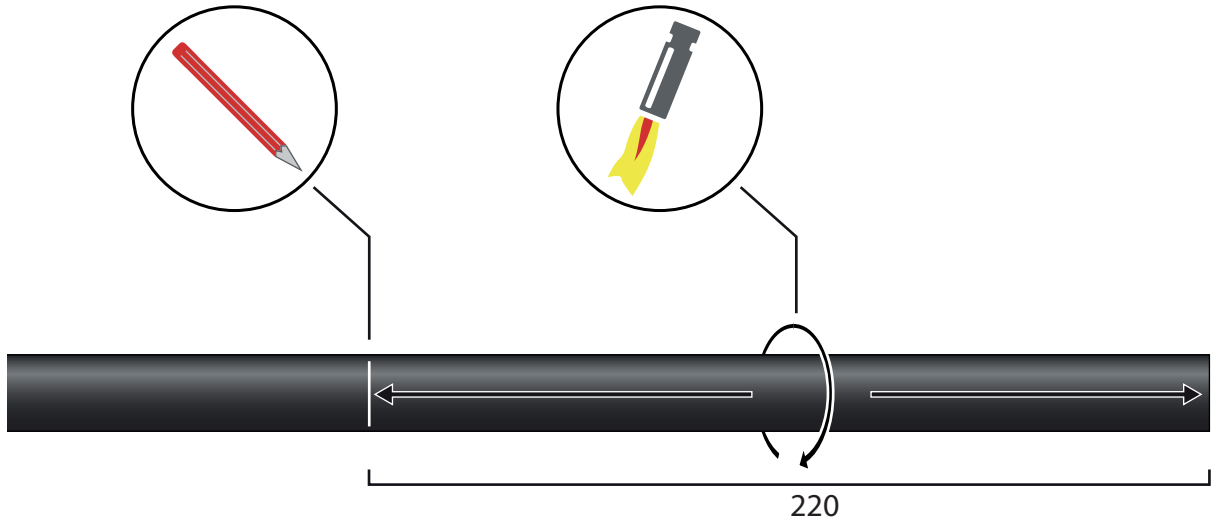
5 



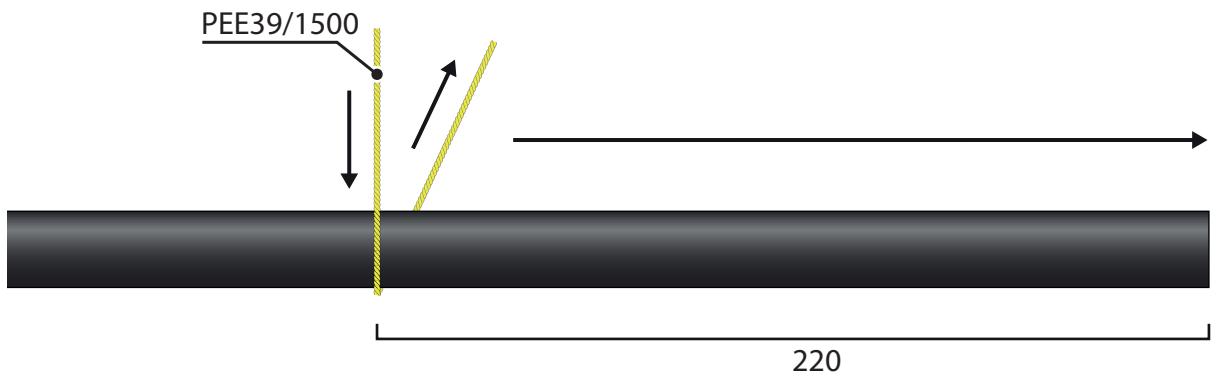
6 



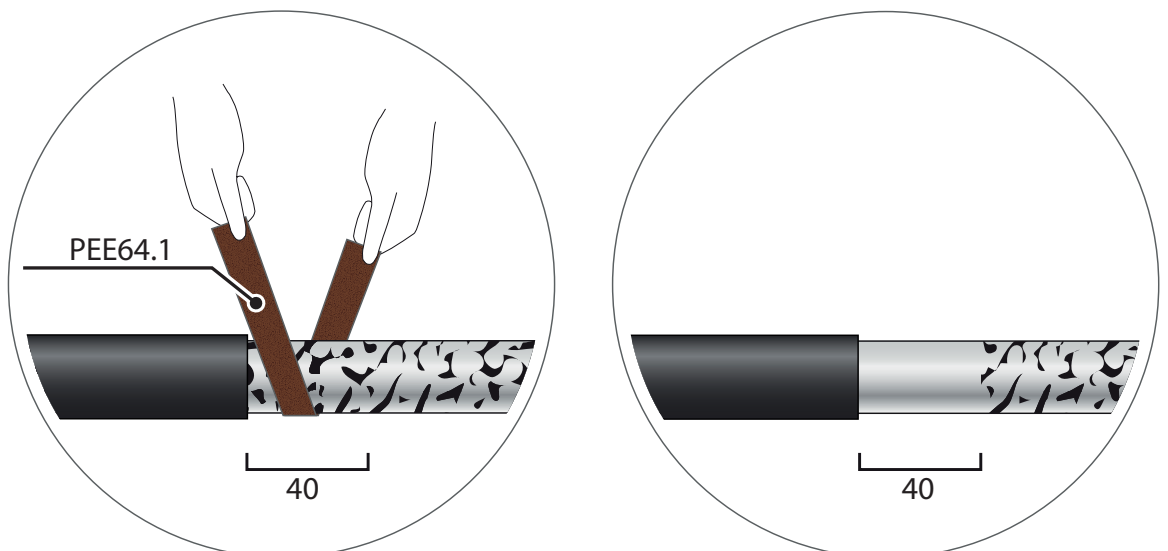
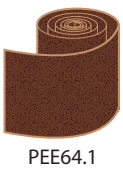
7



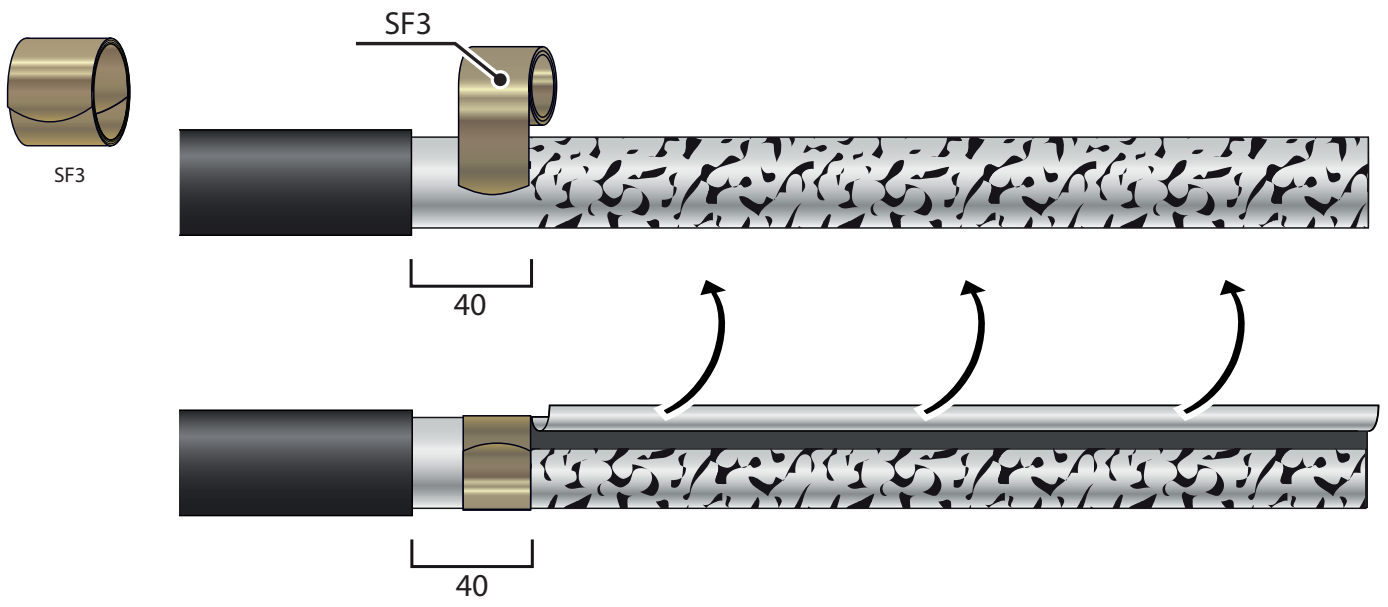
8



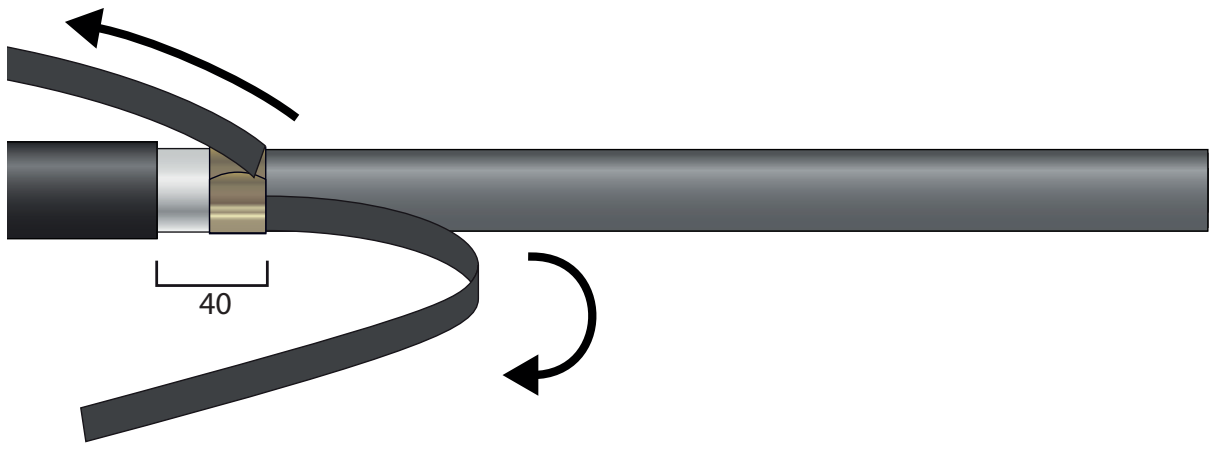
9



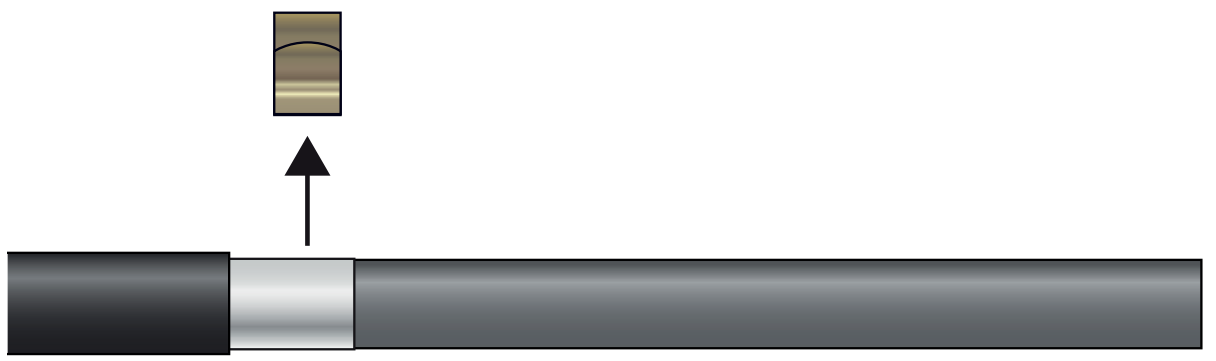
10 



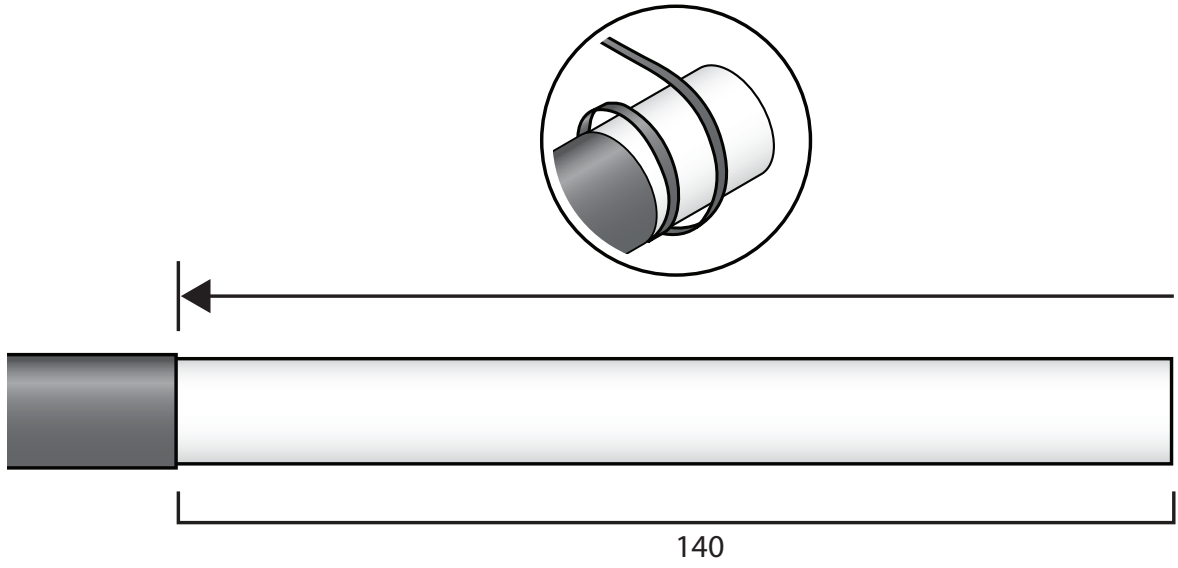
11 



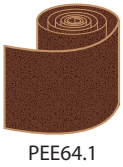
12 



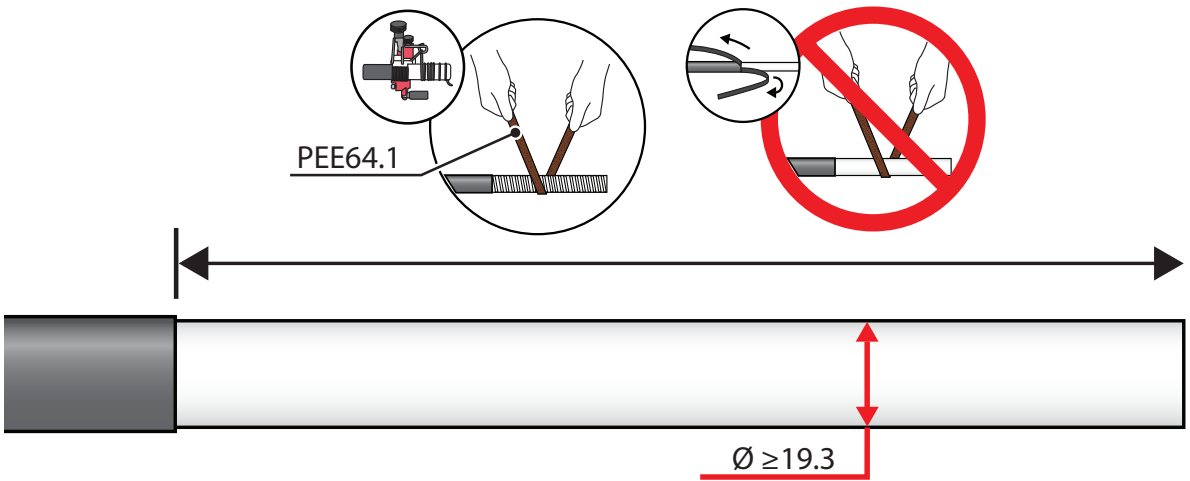
13  



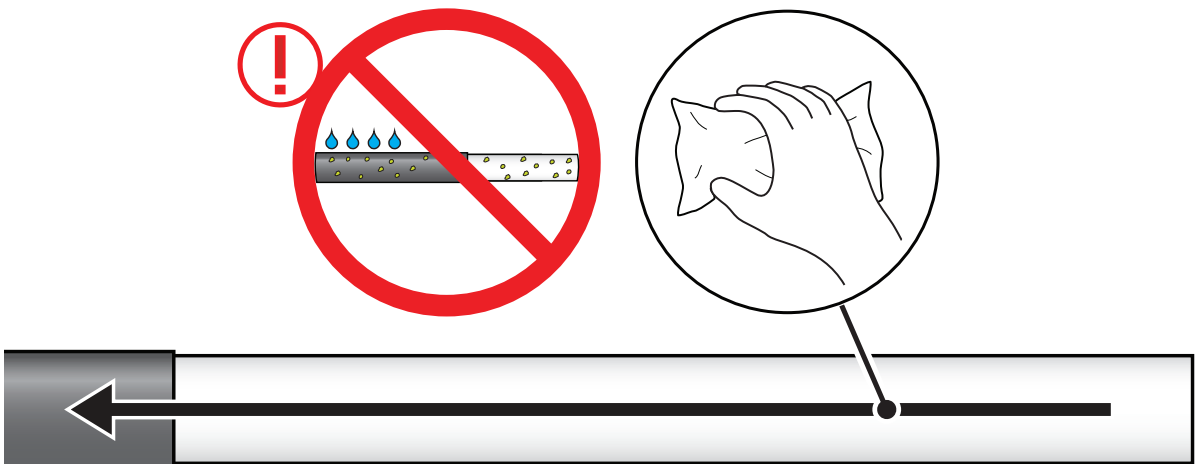
14  



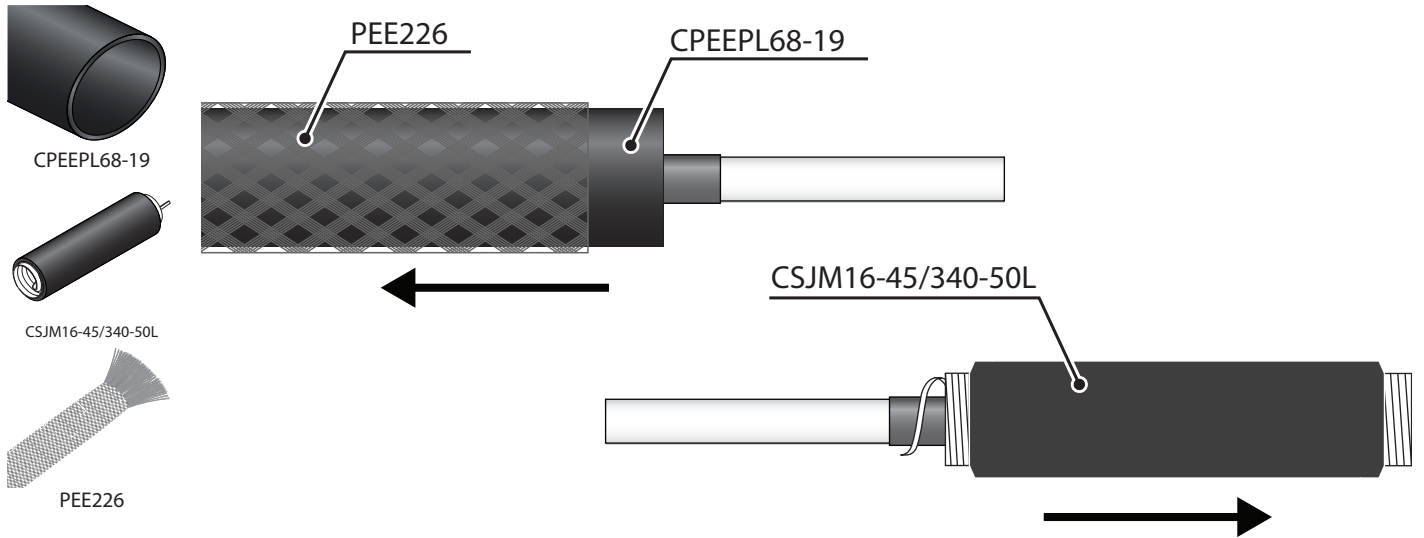
PEE64.1



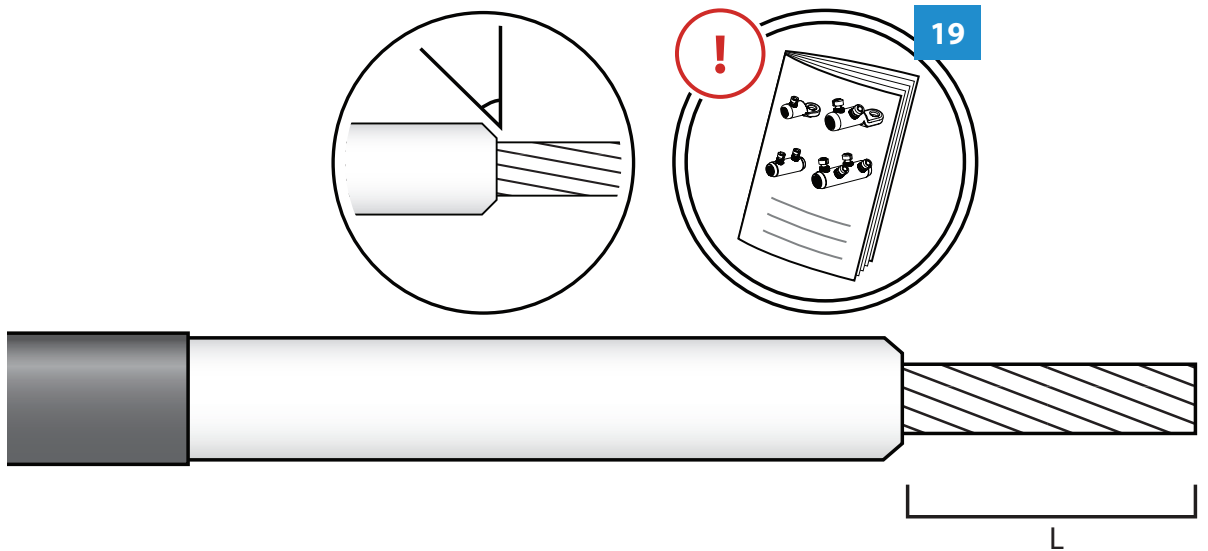
15  



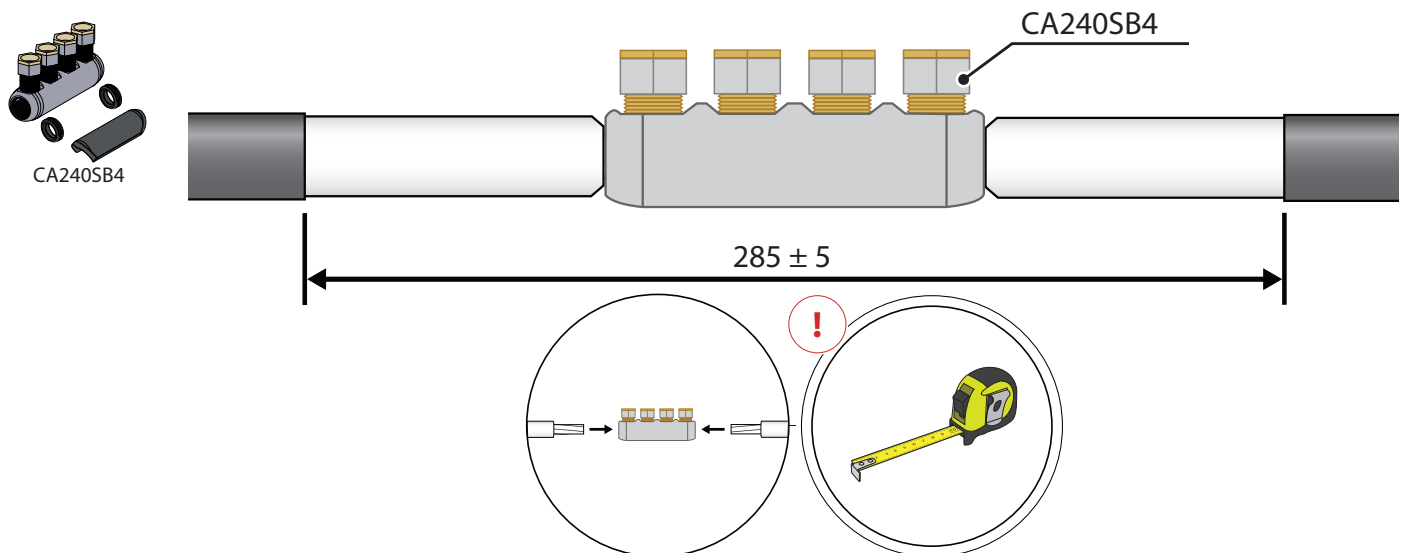
16



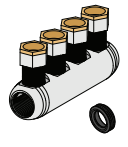
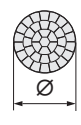

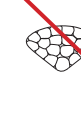

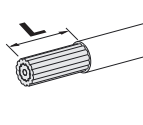

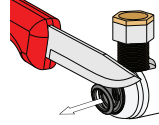
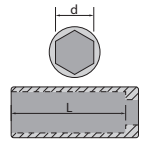
17

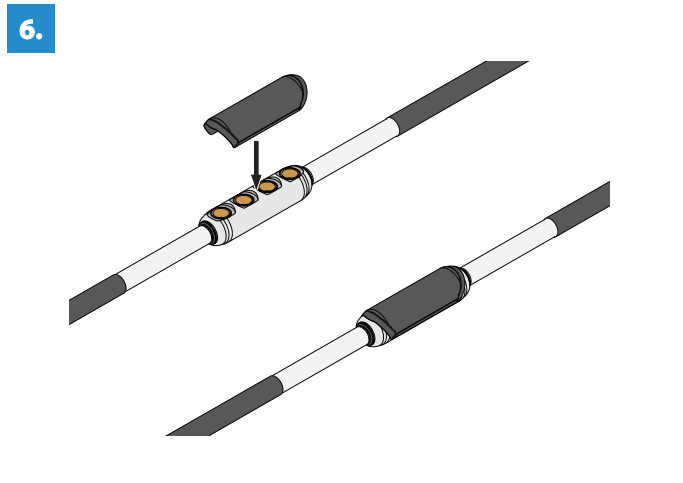
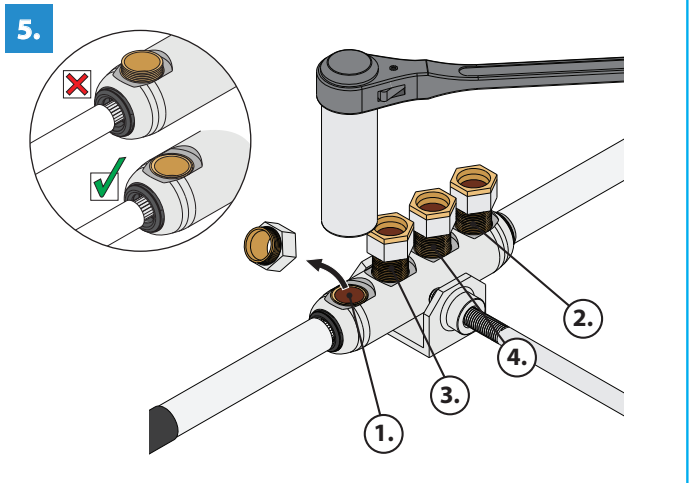
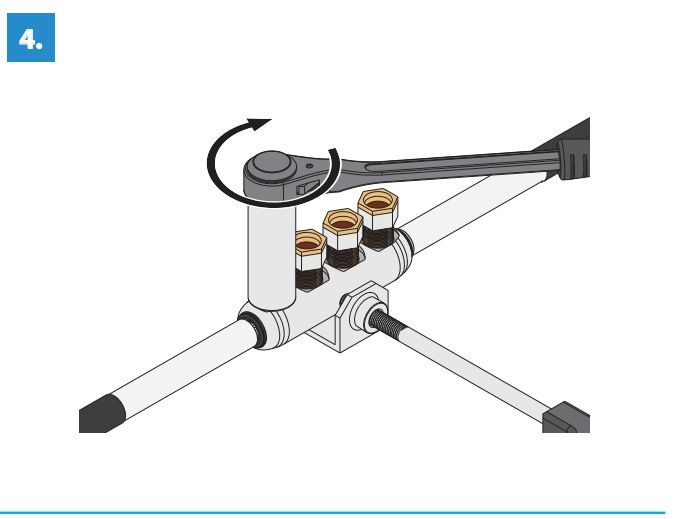
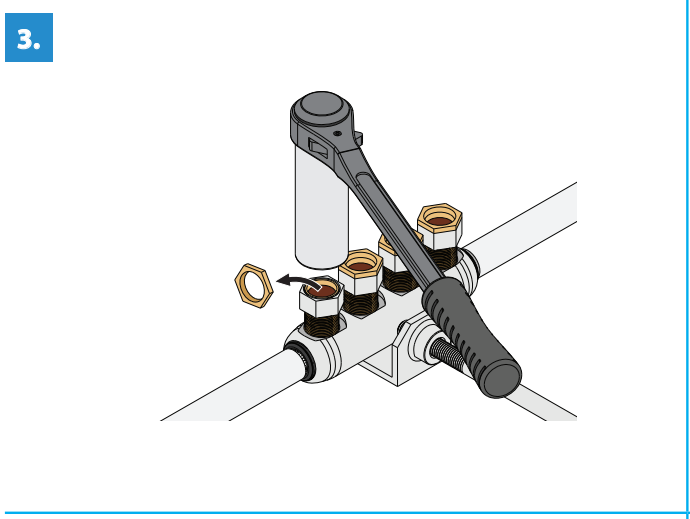
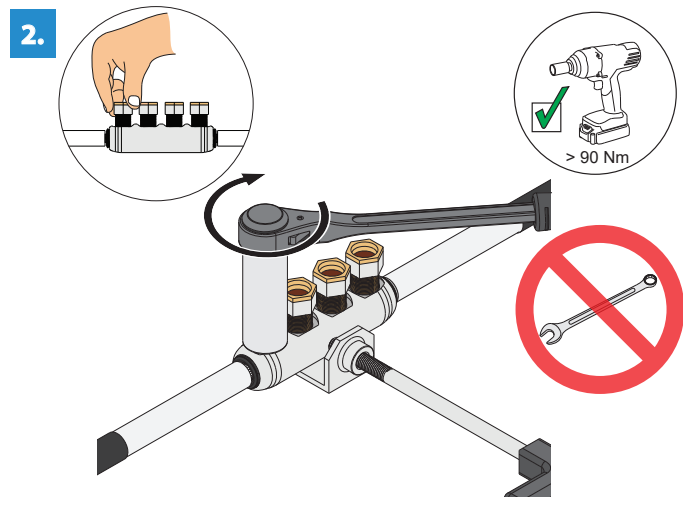
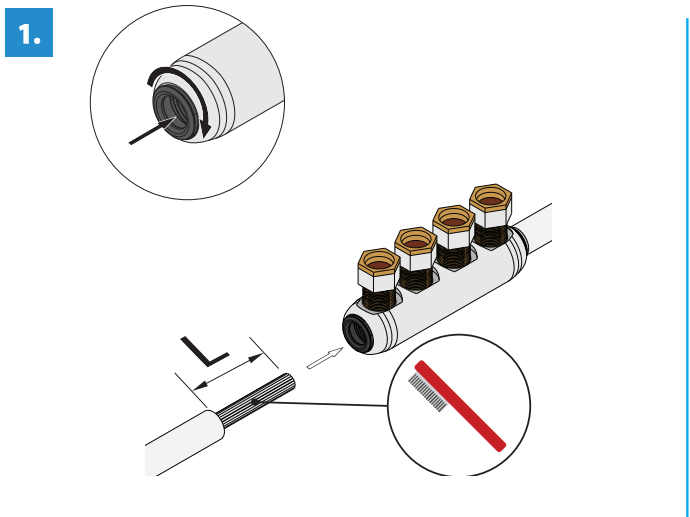


18

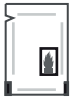




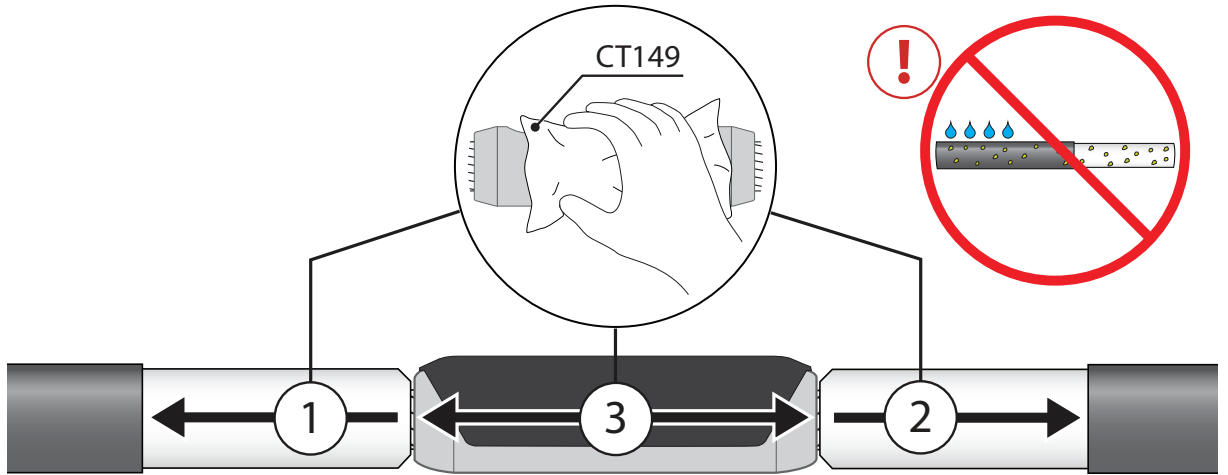
								
	mm	mm ²	mm²	mm²	mm	mm ²		mm
CA240SB4	7.7-19.2	50-240	90° 50-150 120° 50-120	90° 50-185 120° 50-150	60	50-95	120-150	d = 21 L _{min} = 26



20



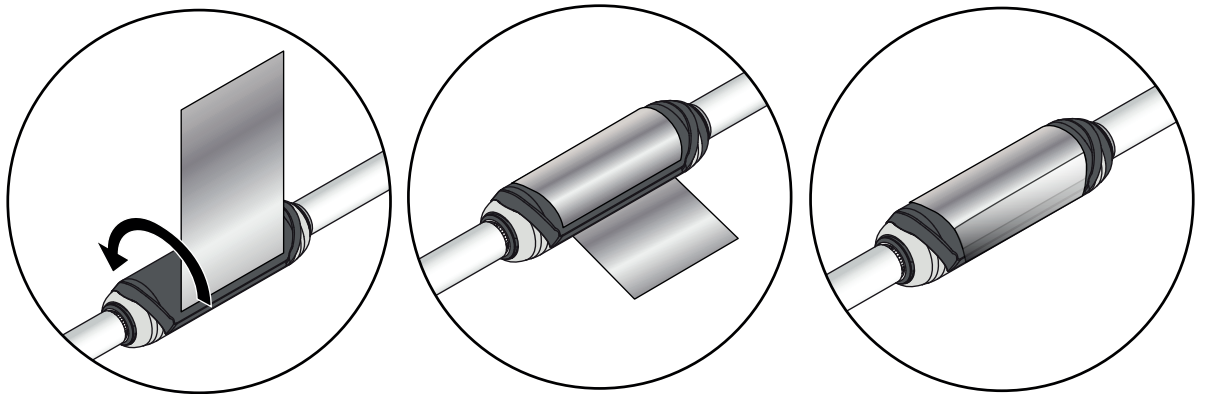
CT149



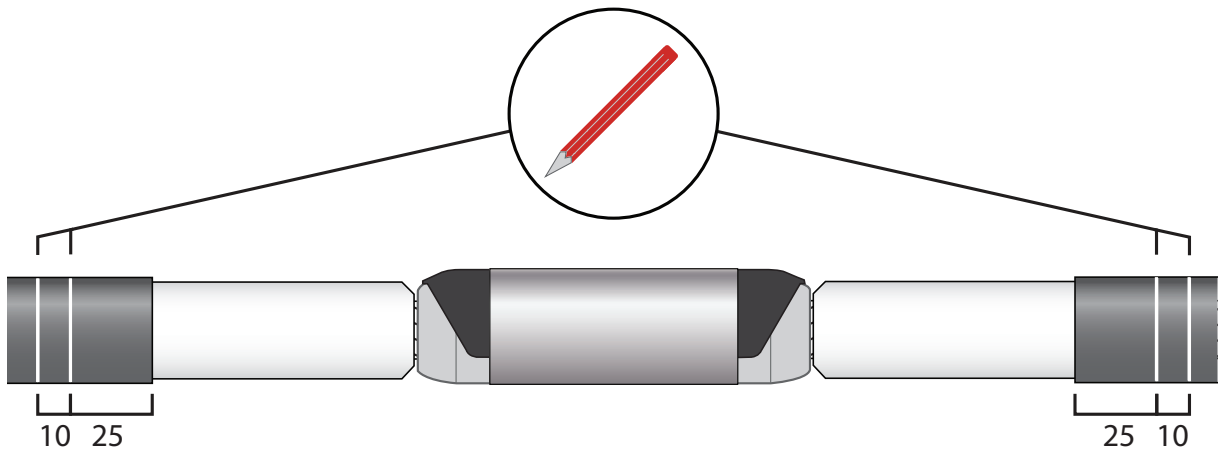
21



ALT75/140



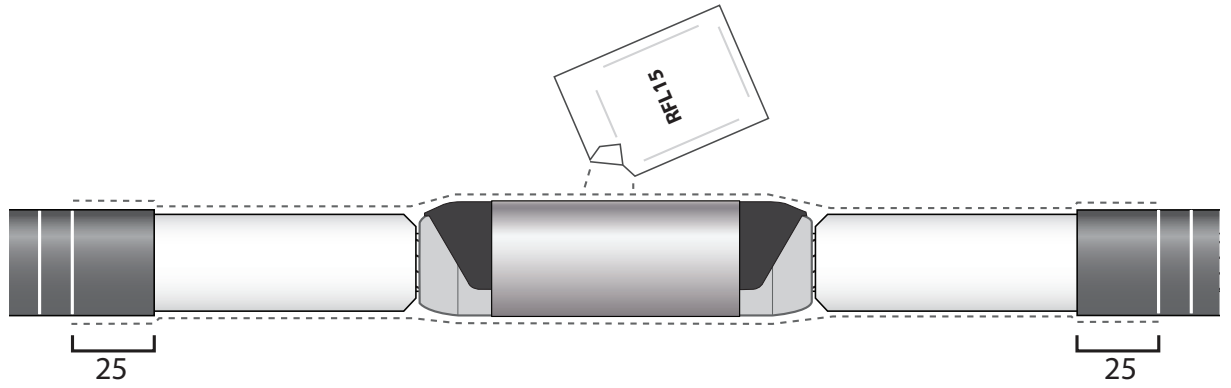
22



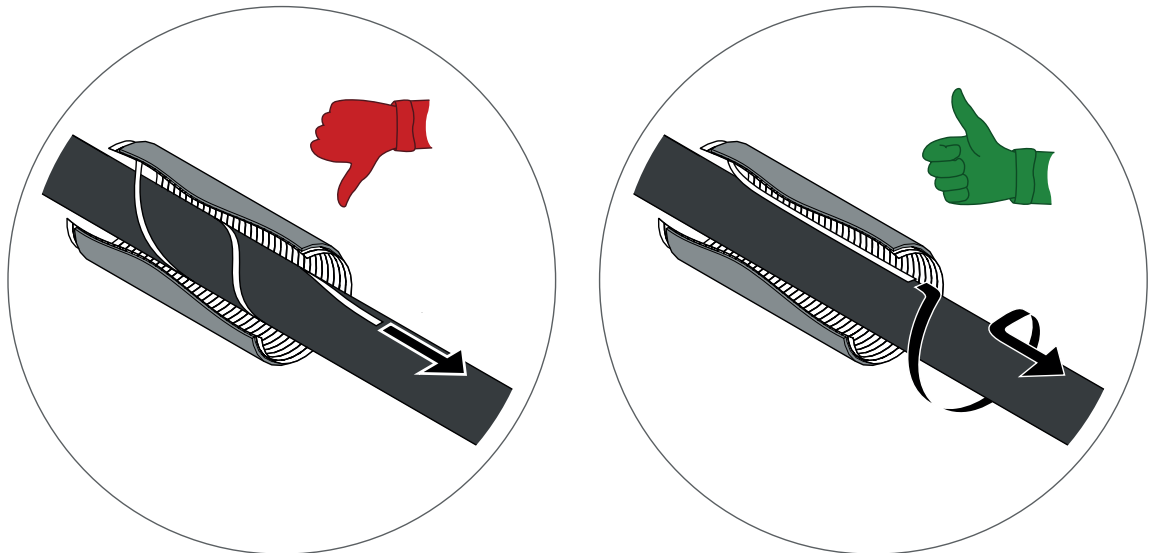
23



RFL15



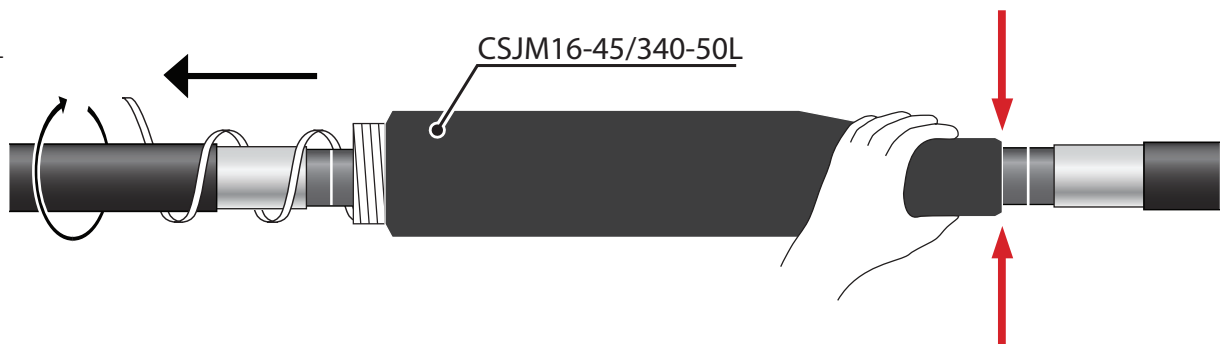
24



25



CSJM16-45/340-50L



26



27




PEE64

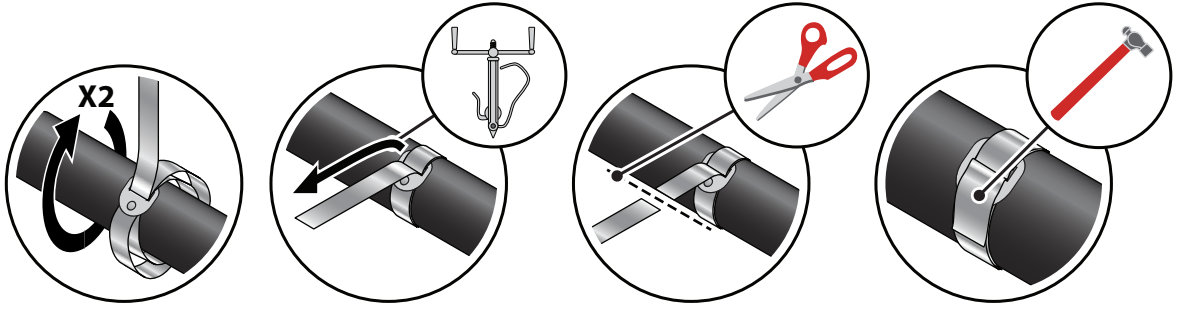
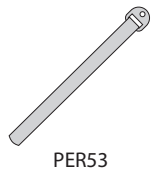


28

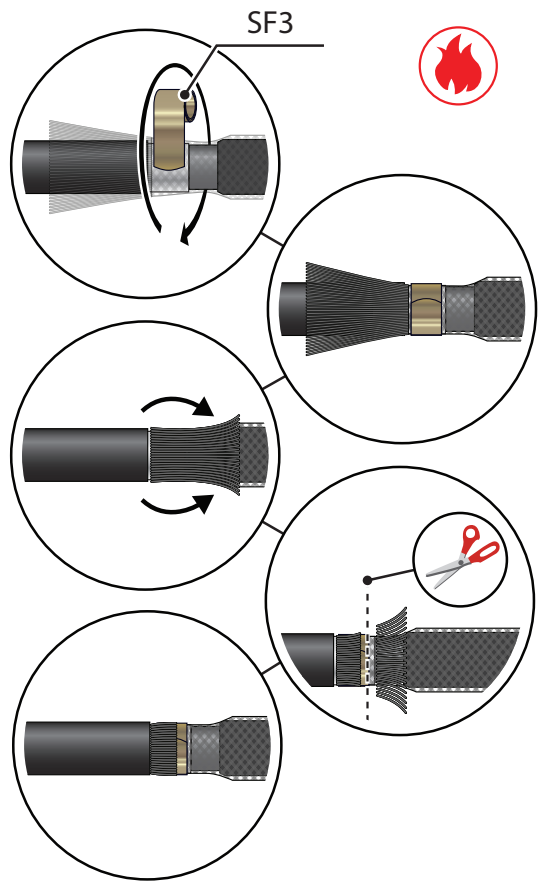
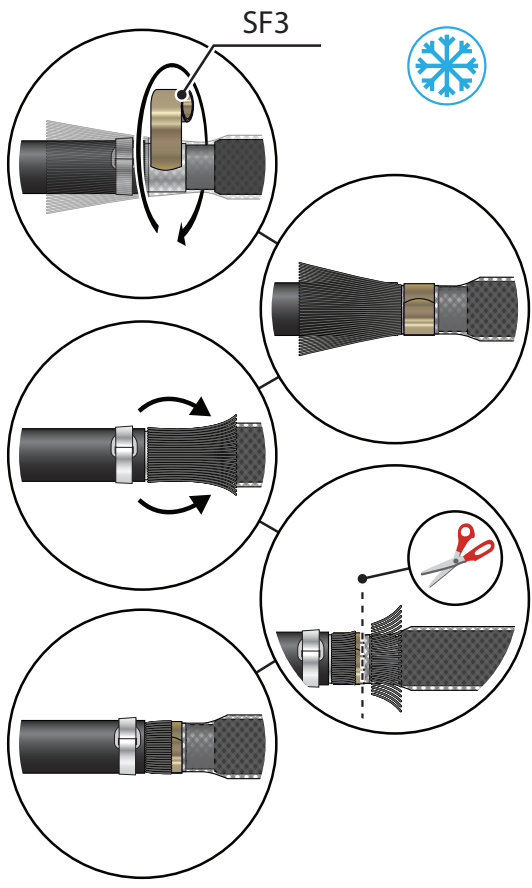
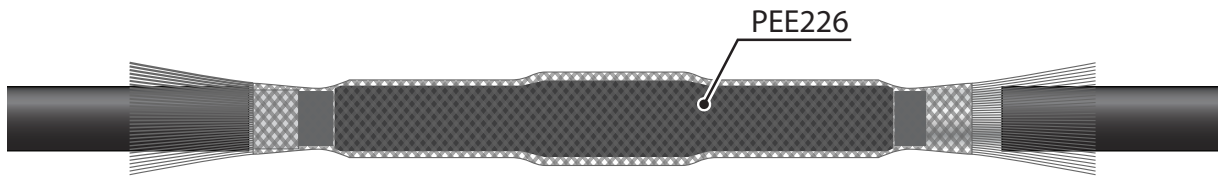
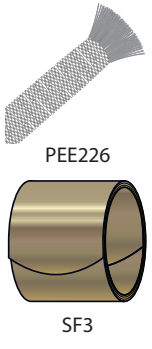


29 

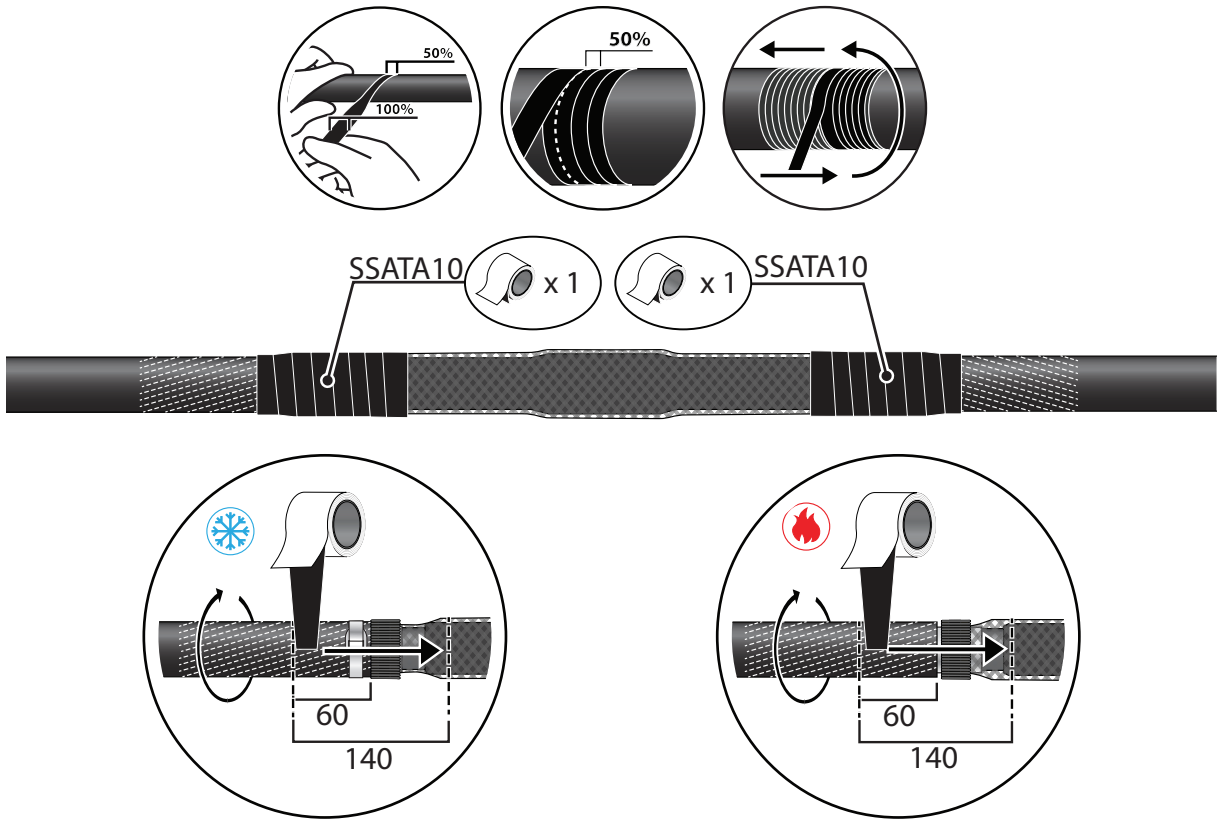
 → 30



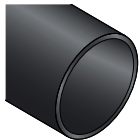
30  



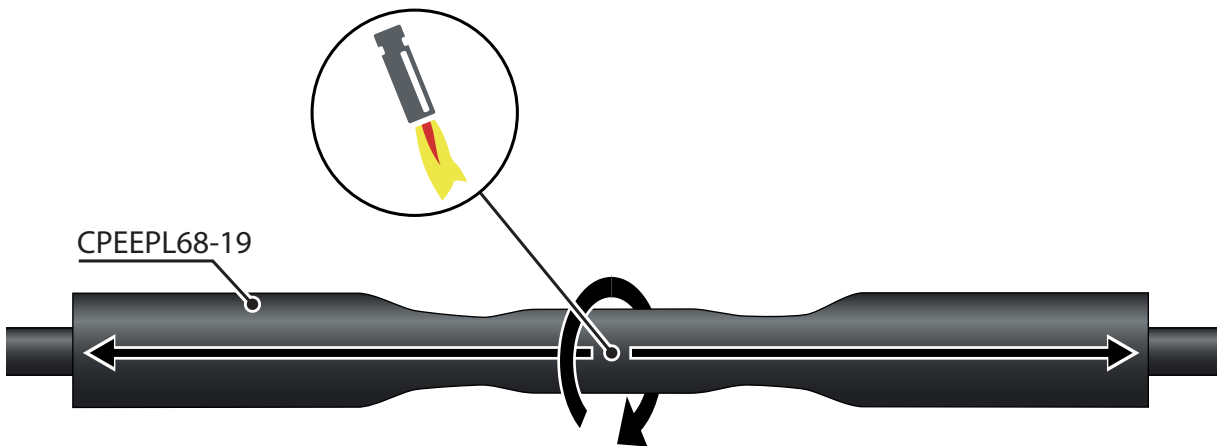
31



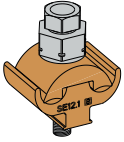
32



CPEEPL68-19



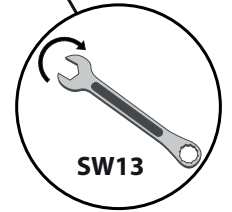
33



SE12.101



SE12.101



34

