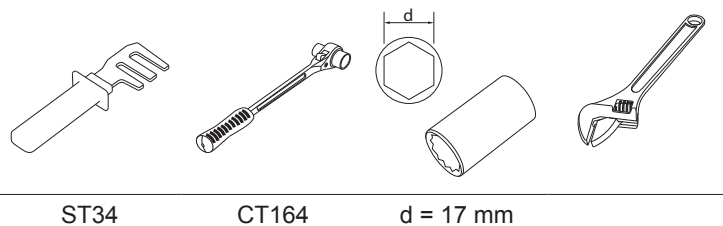
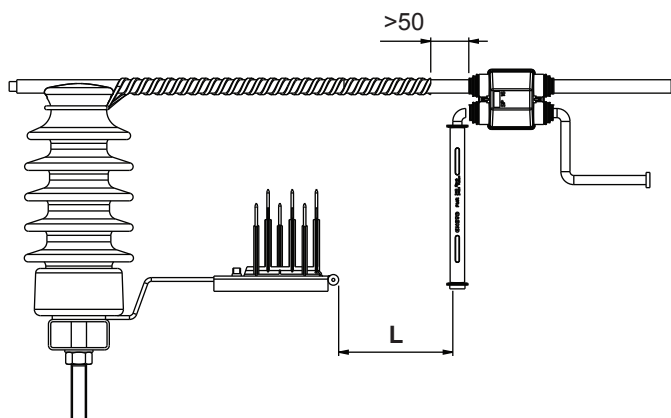


1.



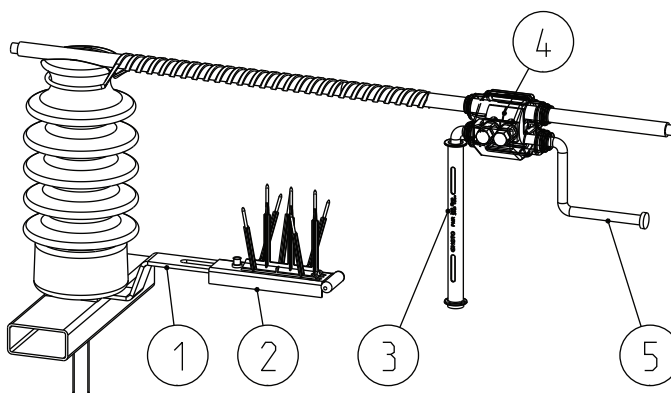
	GTIN	mm <sup>2</sup>	Nm
SDI25S	6438100324827	50-157	42 ±2

2.



	12 kV	24 kV	36 kV
L mm	90...100	130...150	220...250

3.



1. PSS696
2. PSS697.1
3. PMR340
4. SEW20.72+SP16
5. PSS698

