
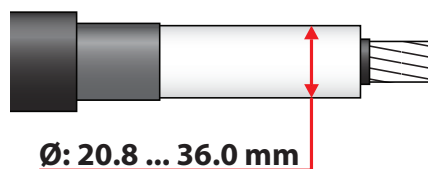
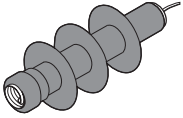
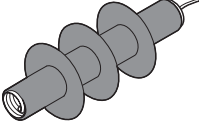
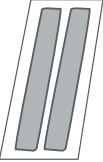


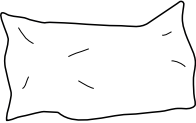
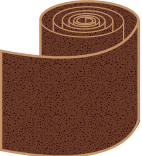





## COT1.4202

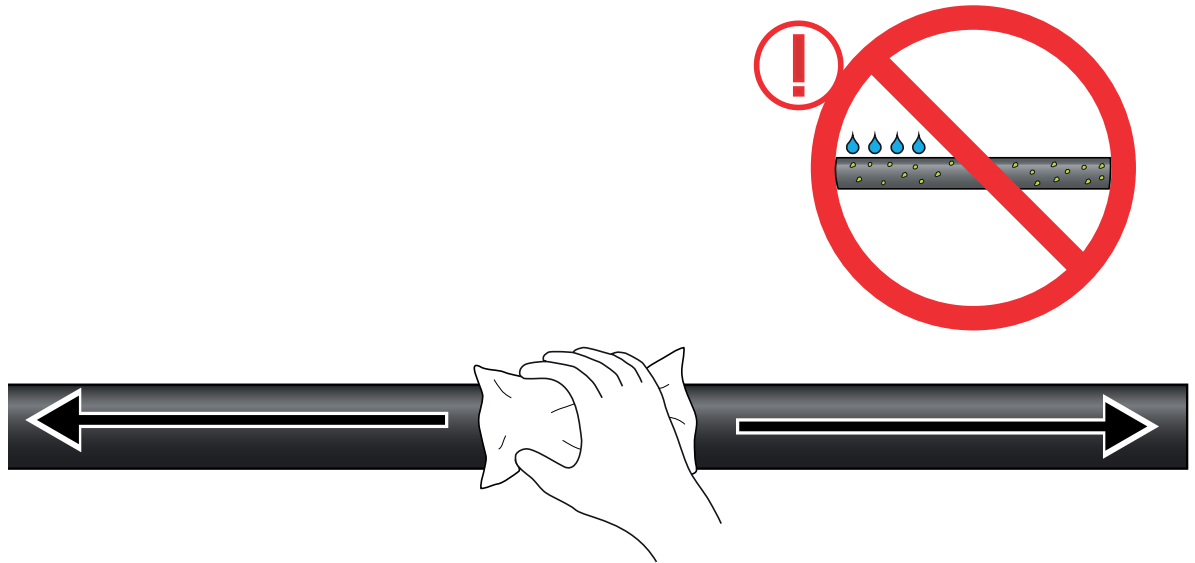
$U_o/U_m$ (kV)	 $mm^2$
20.8/36 (42) kV	35-150
19/33 (36) kV	35-150



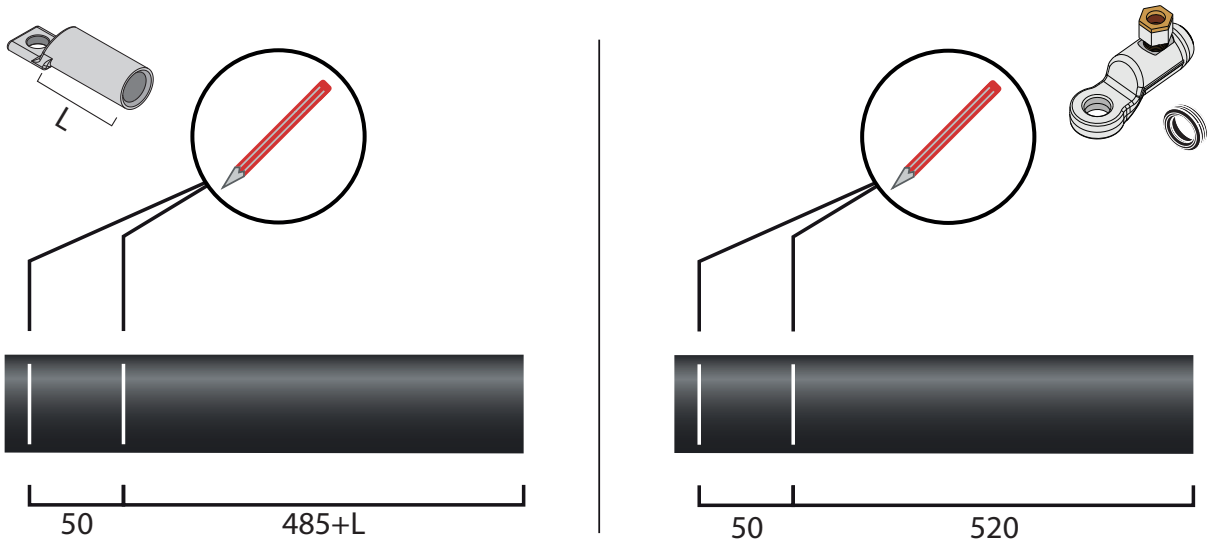


	CTSBGEL16-45L		3		
	CTSCGE16-45L		3		
	SMG200	2x100 mm	6		
	MPA21 RFL15		6 6		
	CT149		6		
	PA23		1		
	PEE64.1	600 mm	2		
	PEE225W		2		
	PEE39	1500 mm	1		
	PEM-COT1_4202		1		

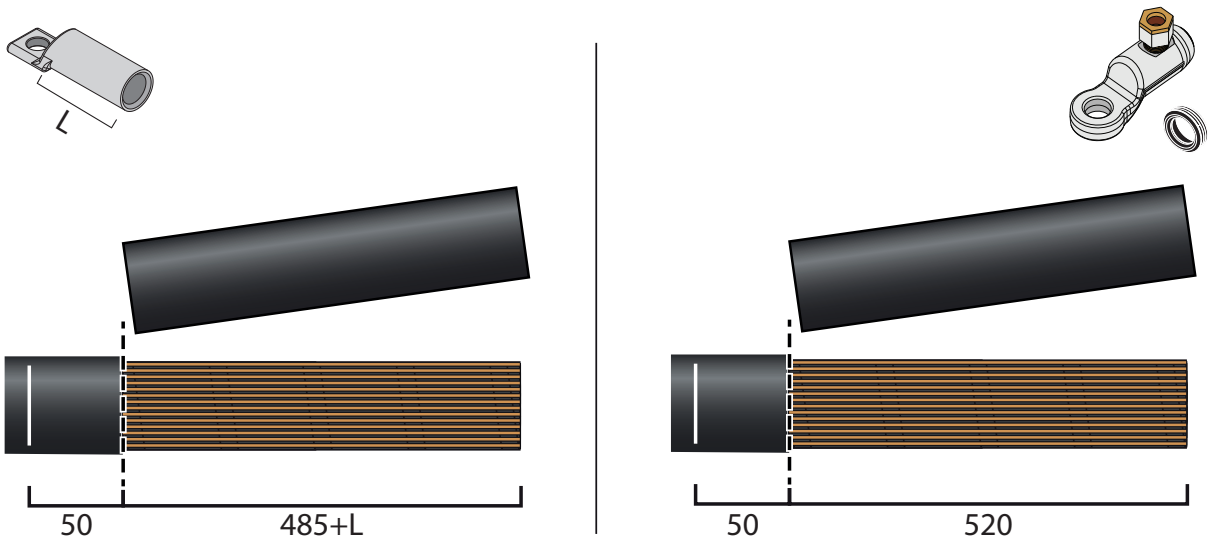
1



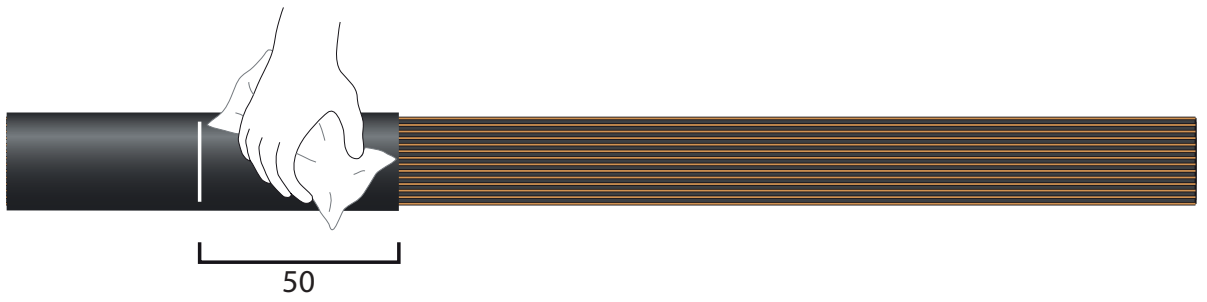
2



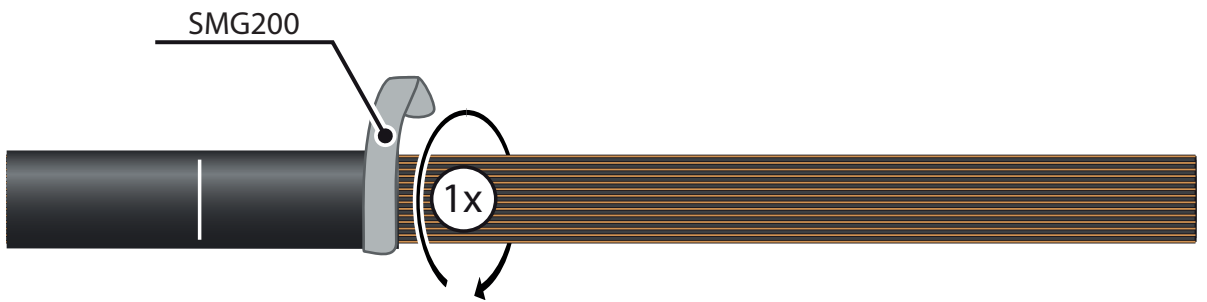
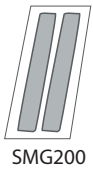
3



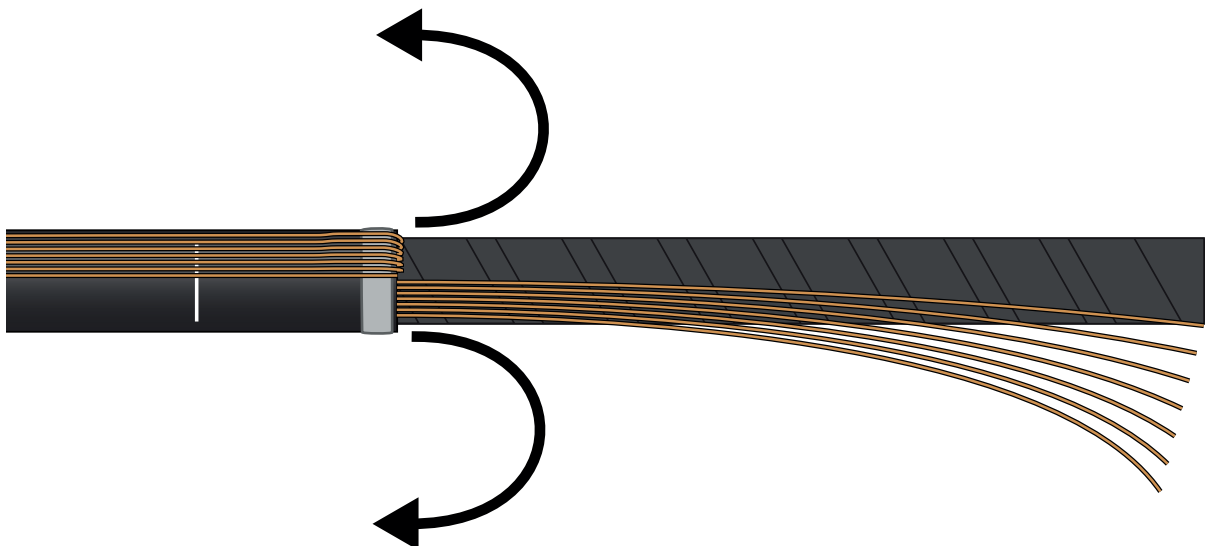
4



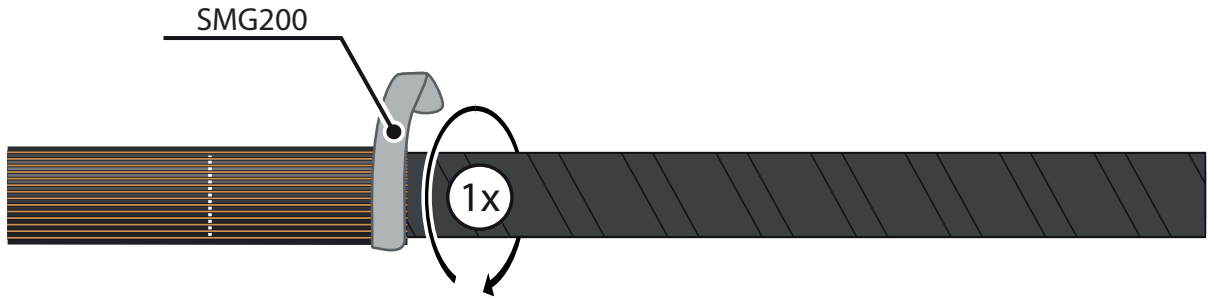
5



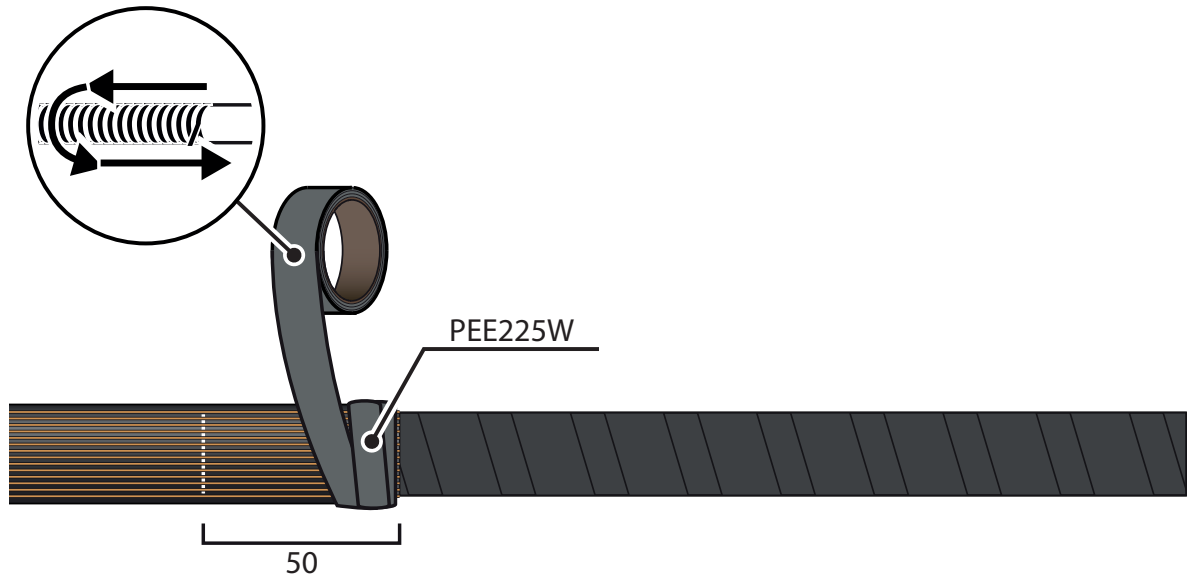
6



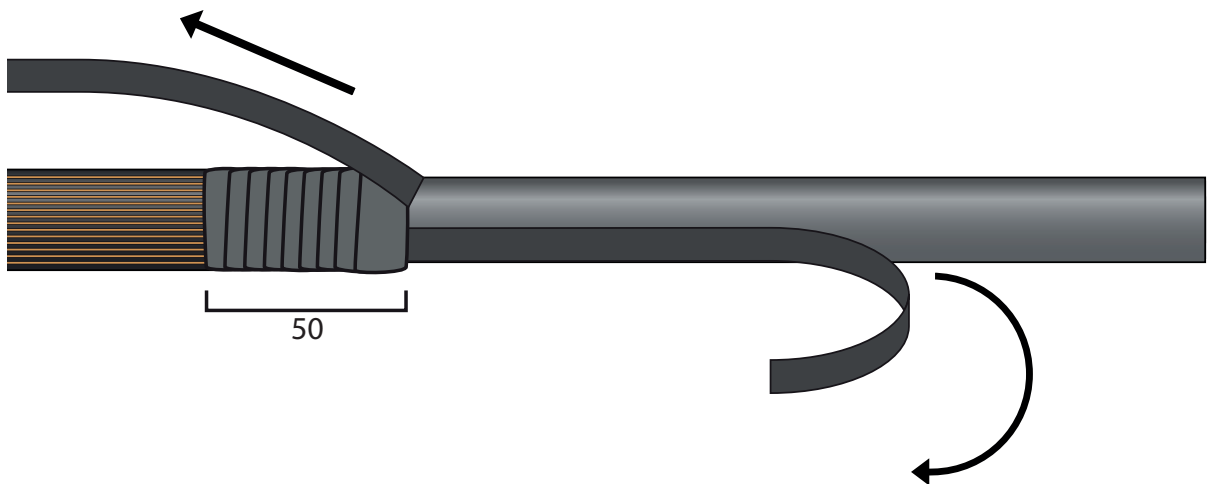
7



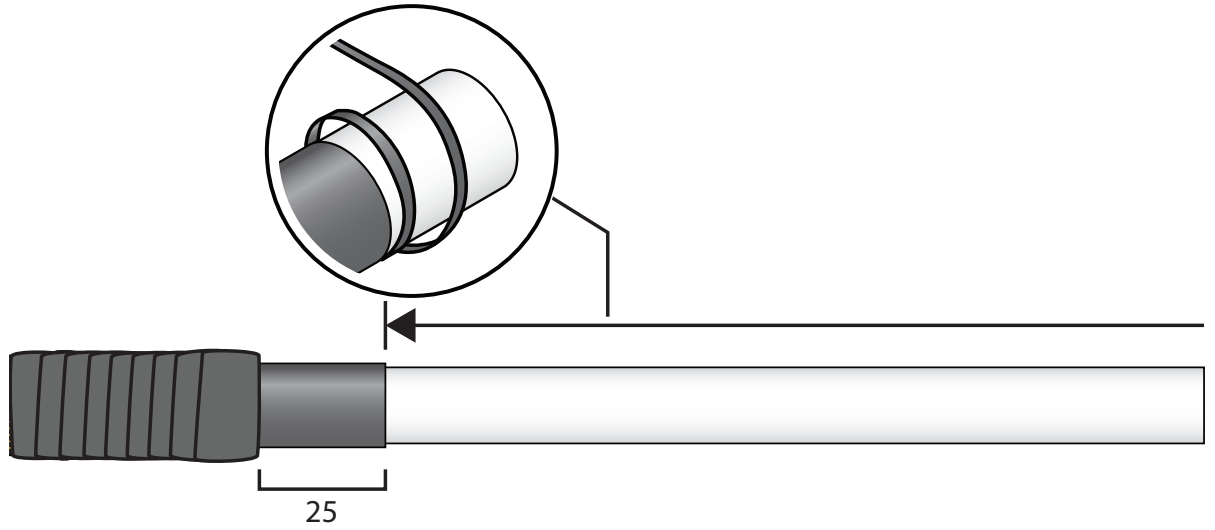
8



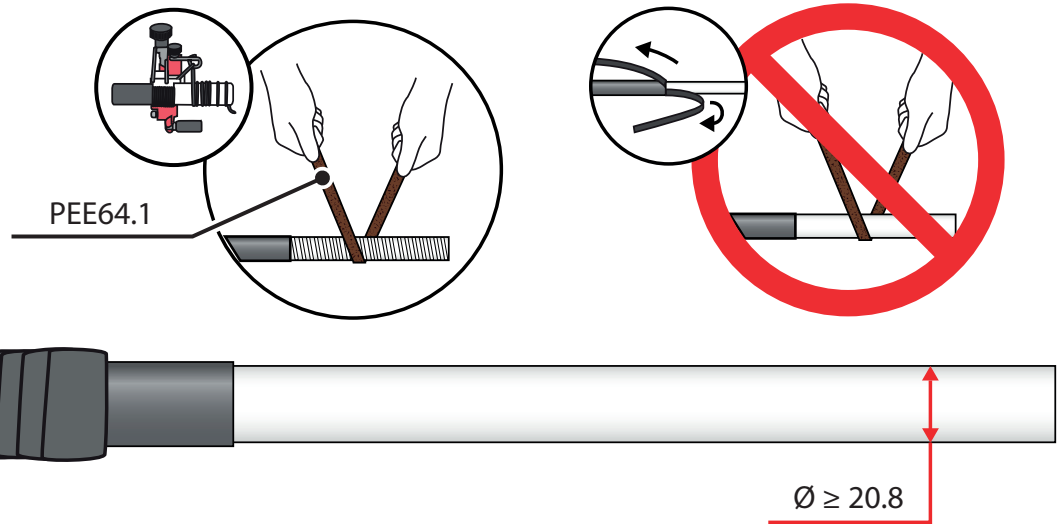
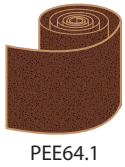
9



10



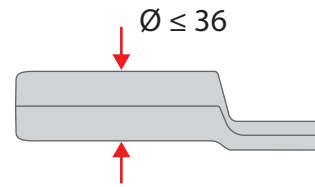
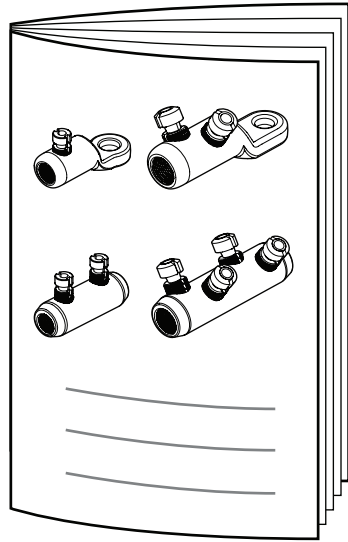
11



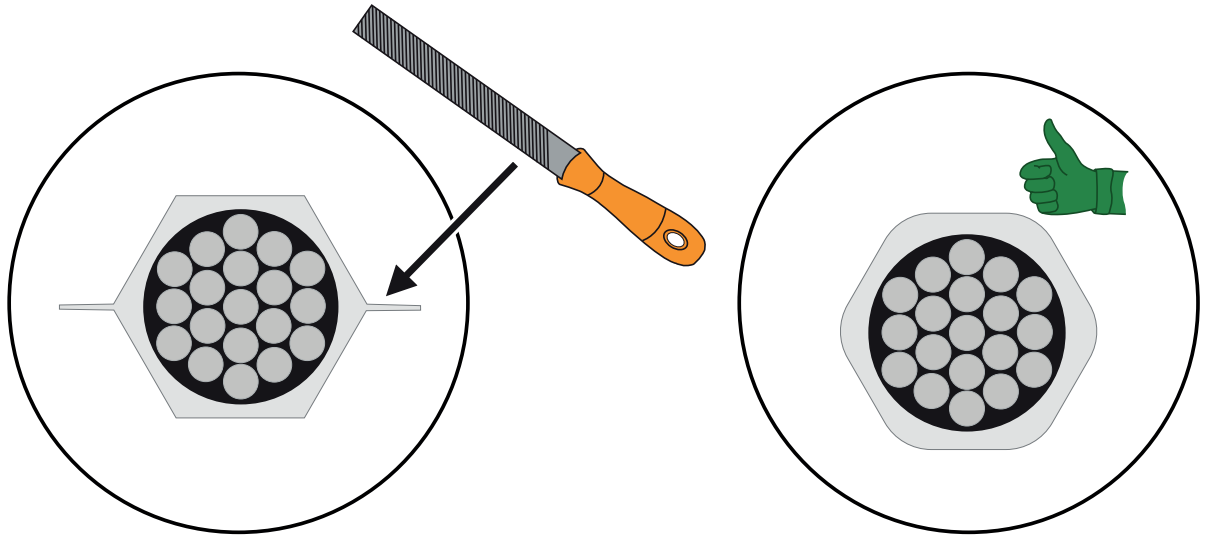
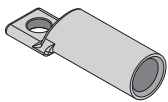
12



13



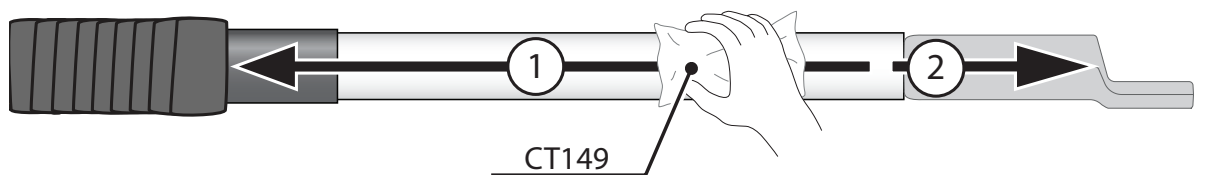
14



15

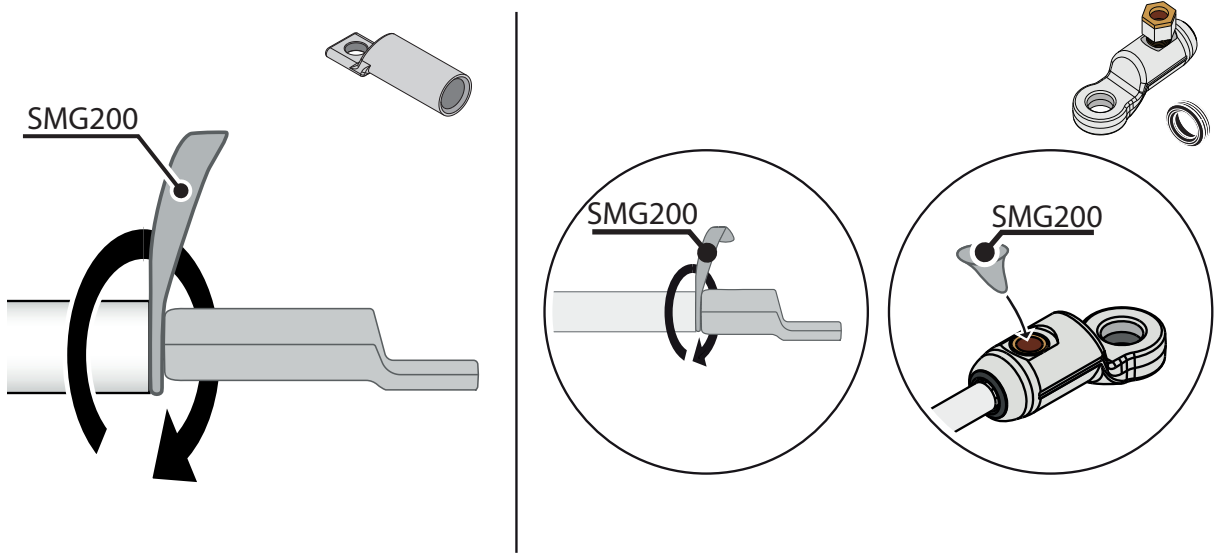


CT149

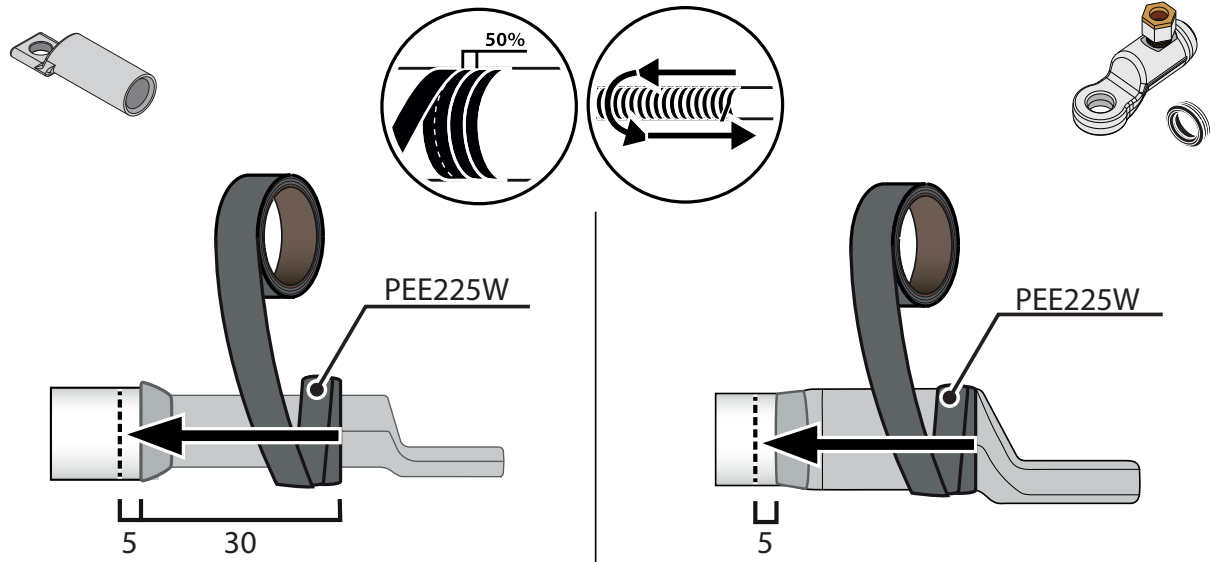




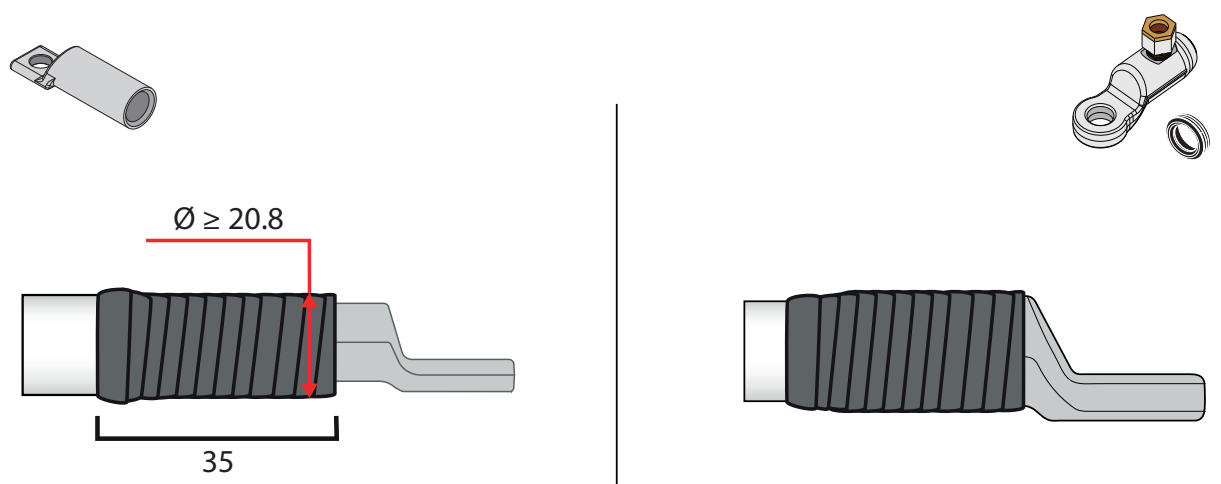
16



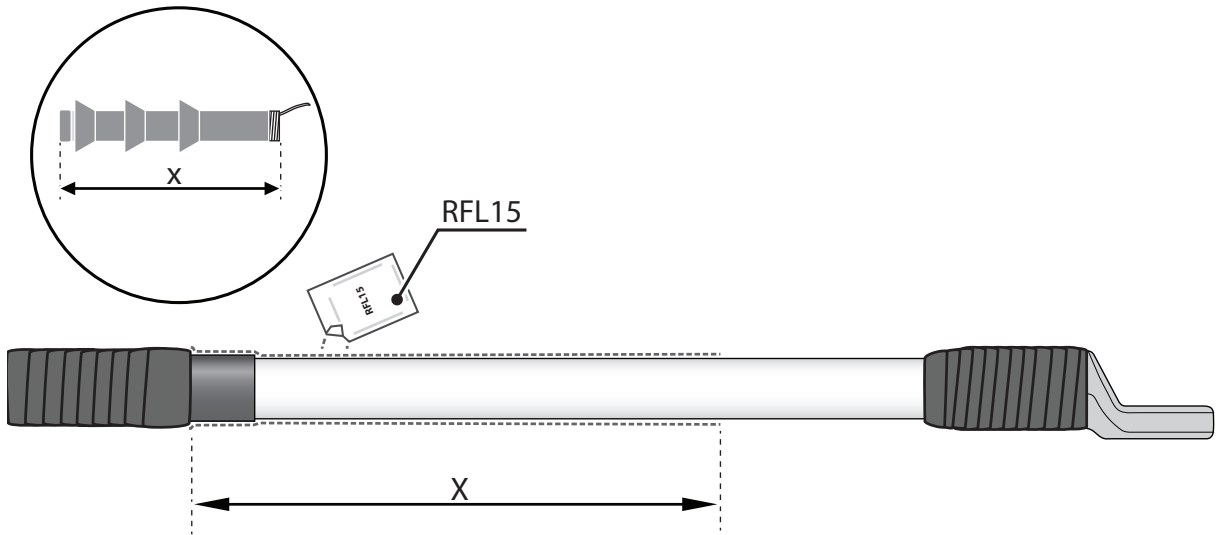
17



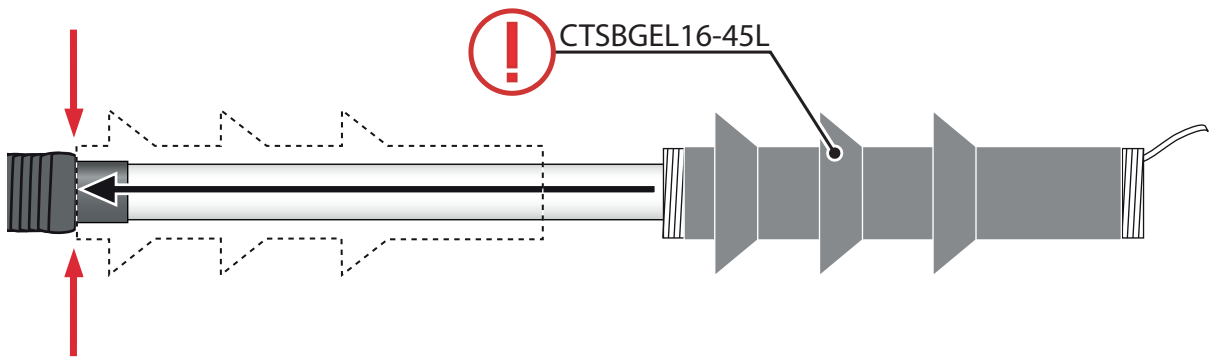
18



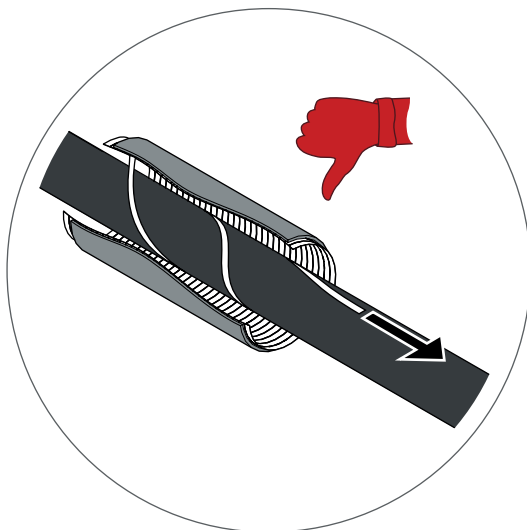
19



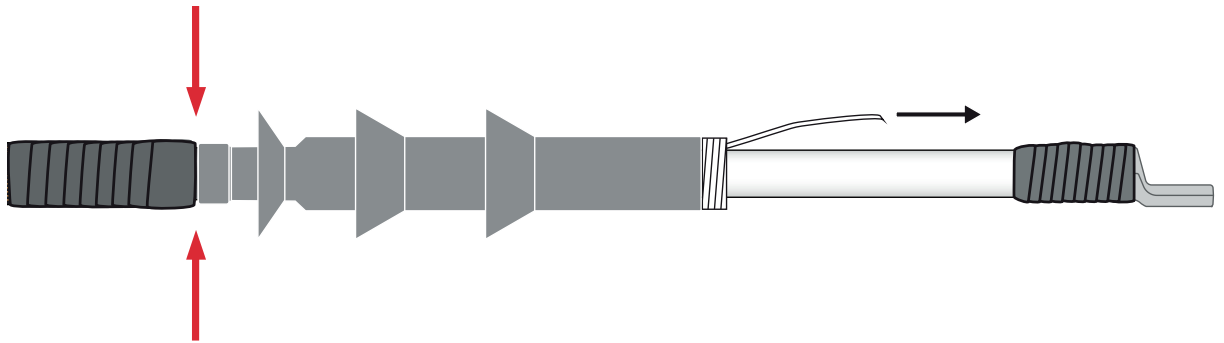
20



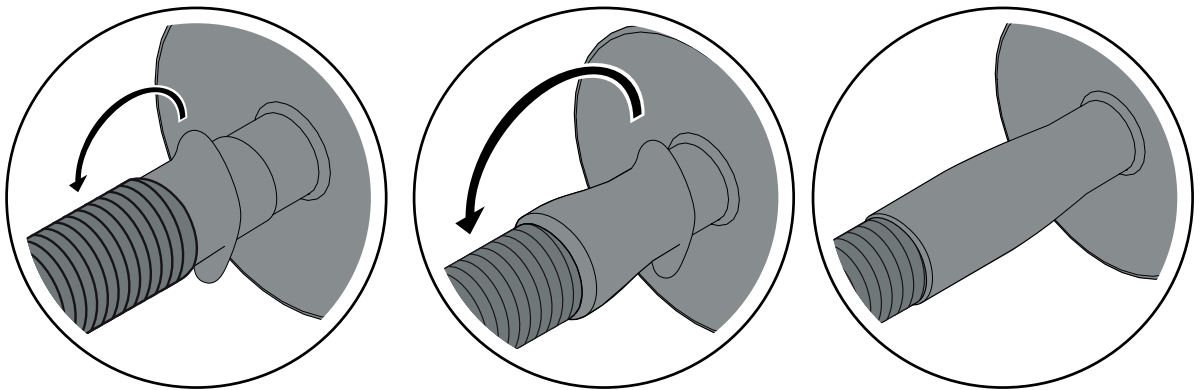
21



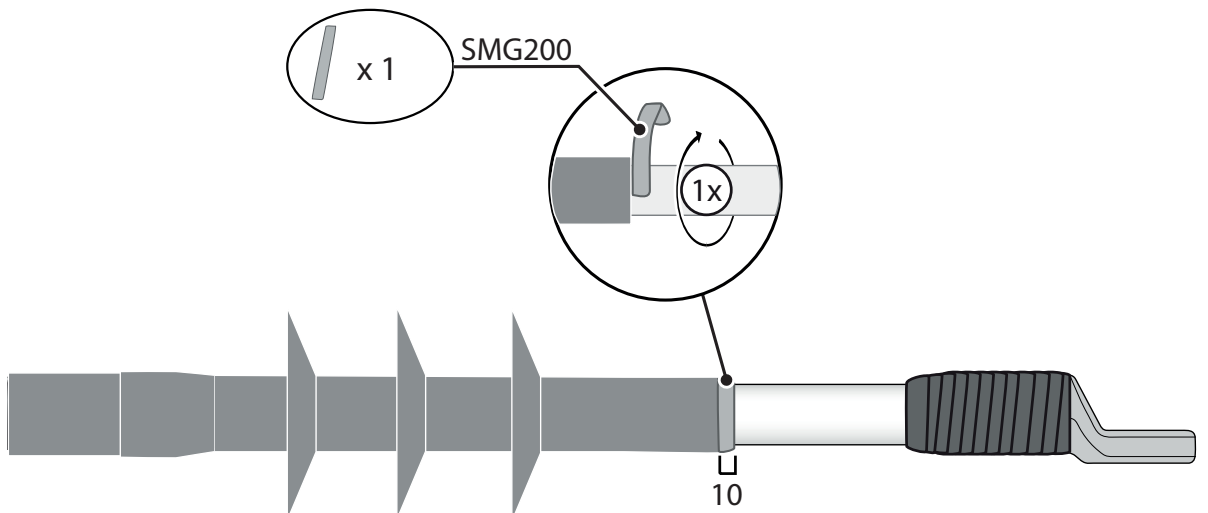
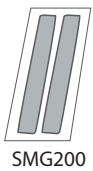
22



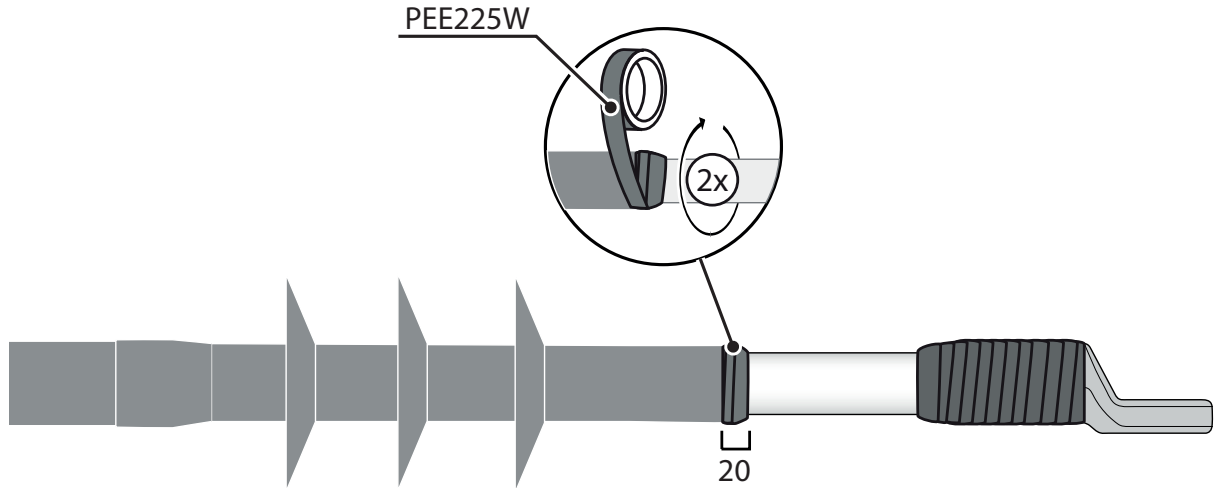
23



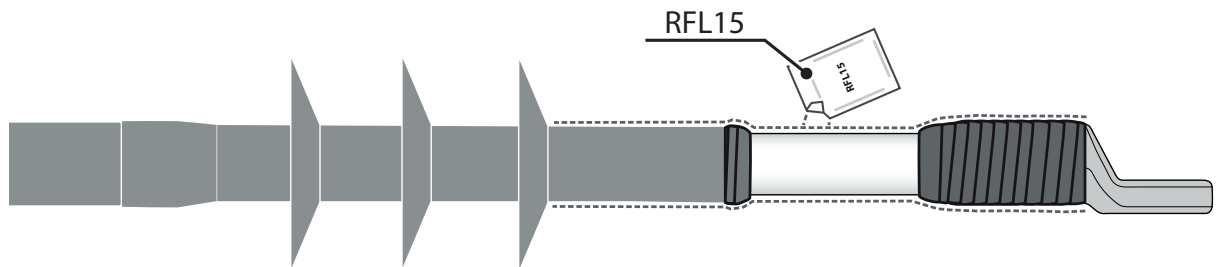
24



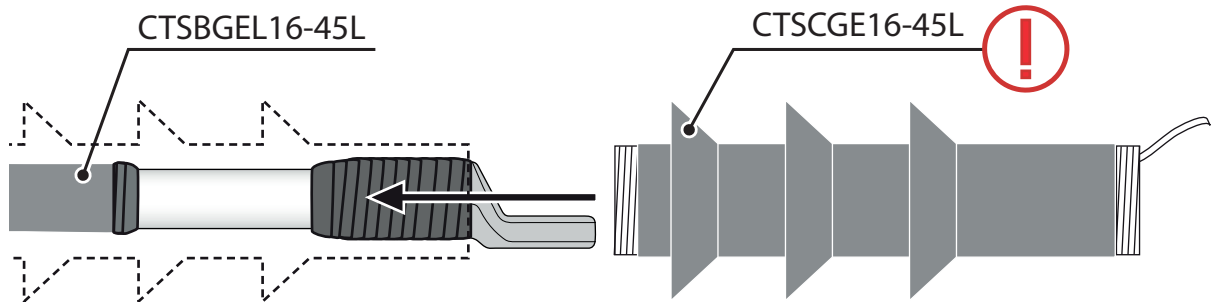
25



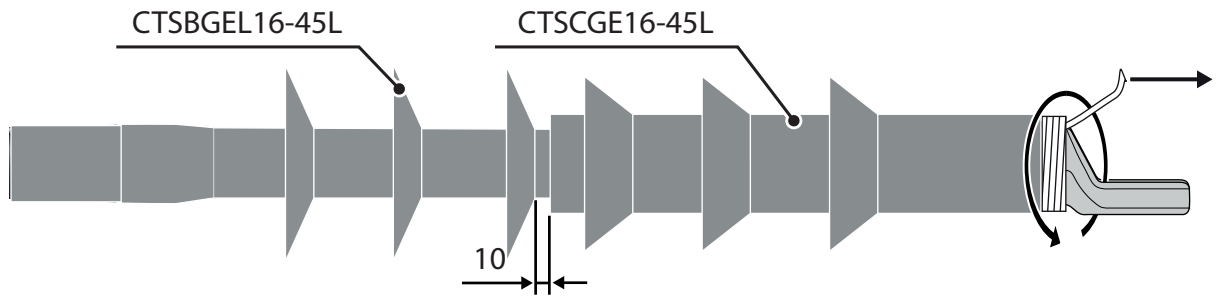
26



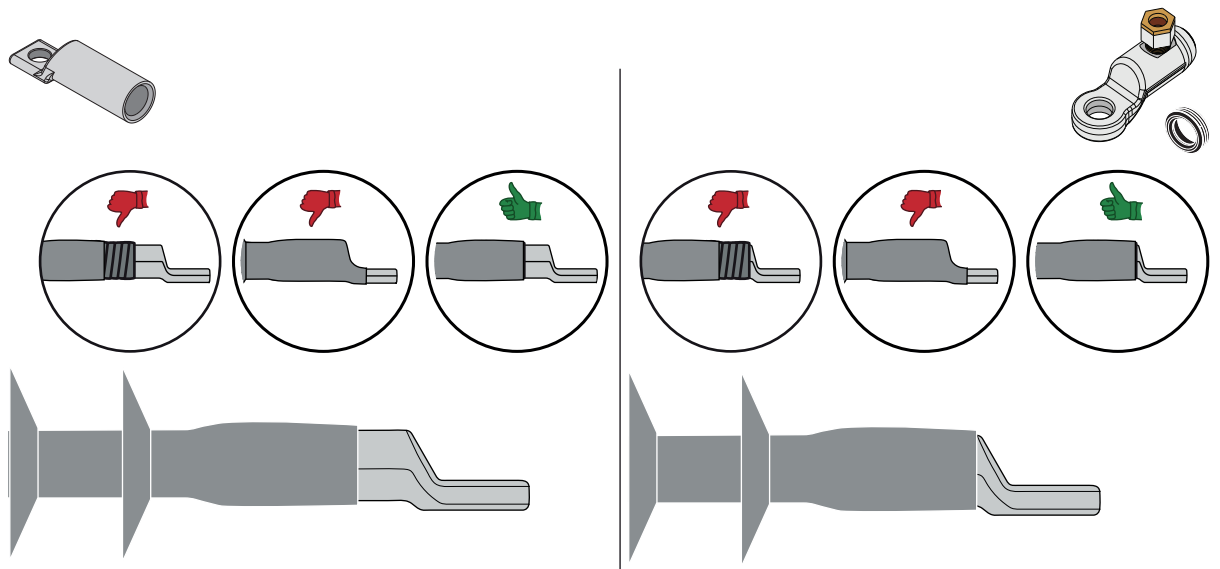
27



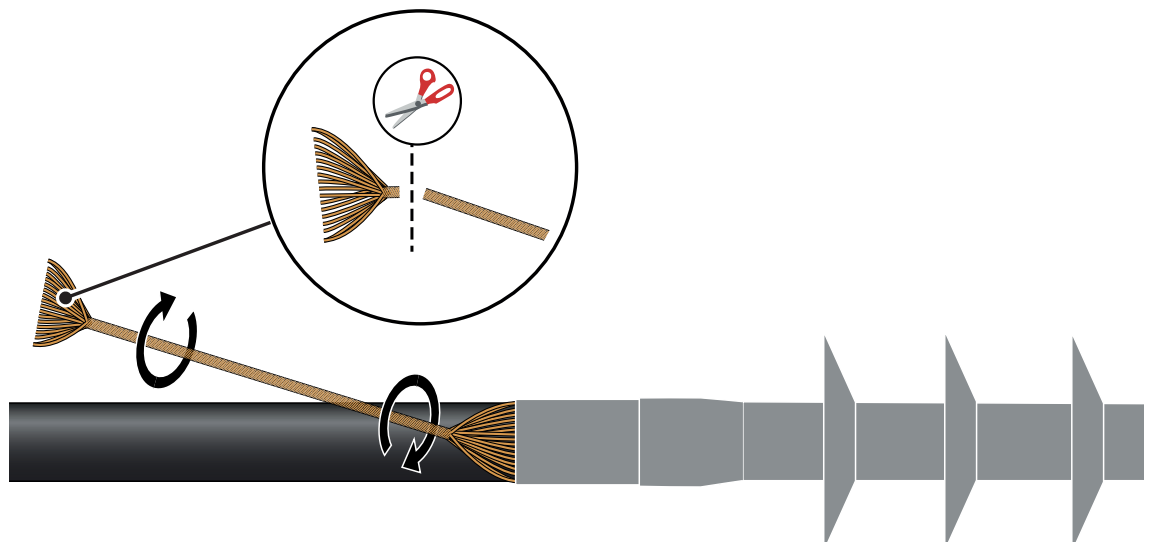
28



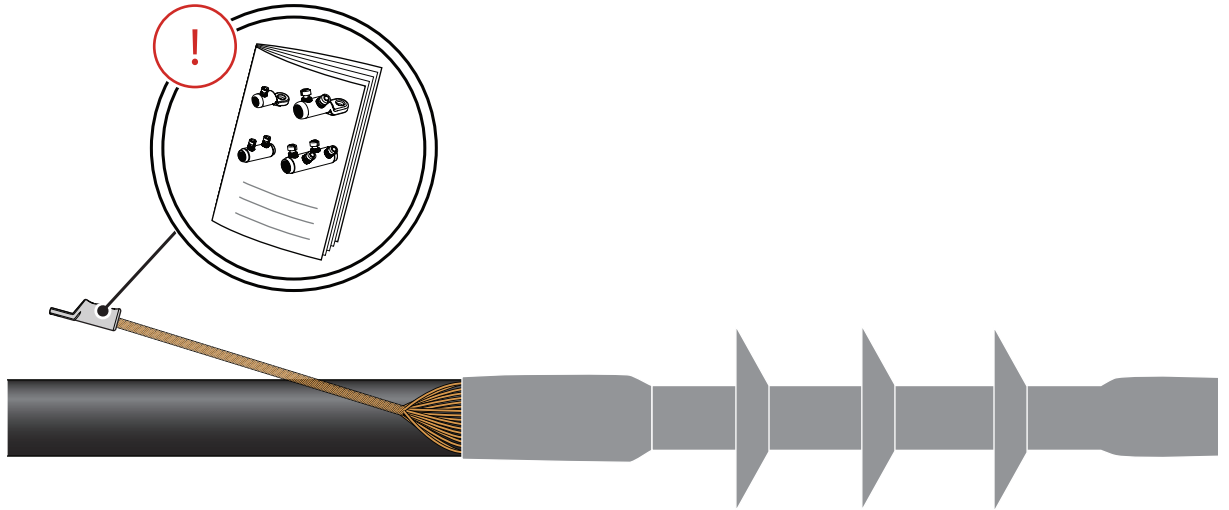
29



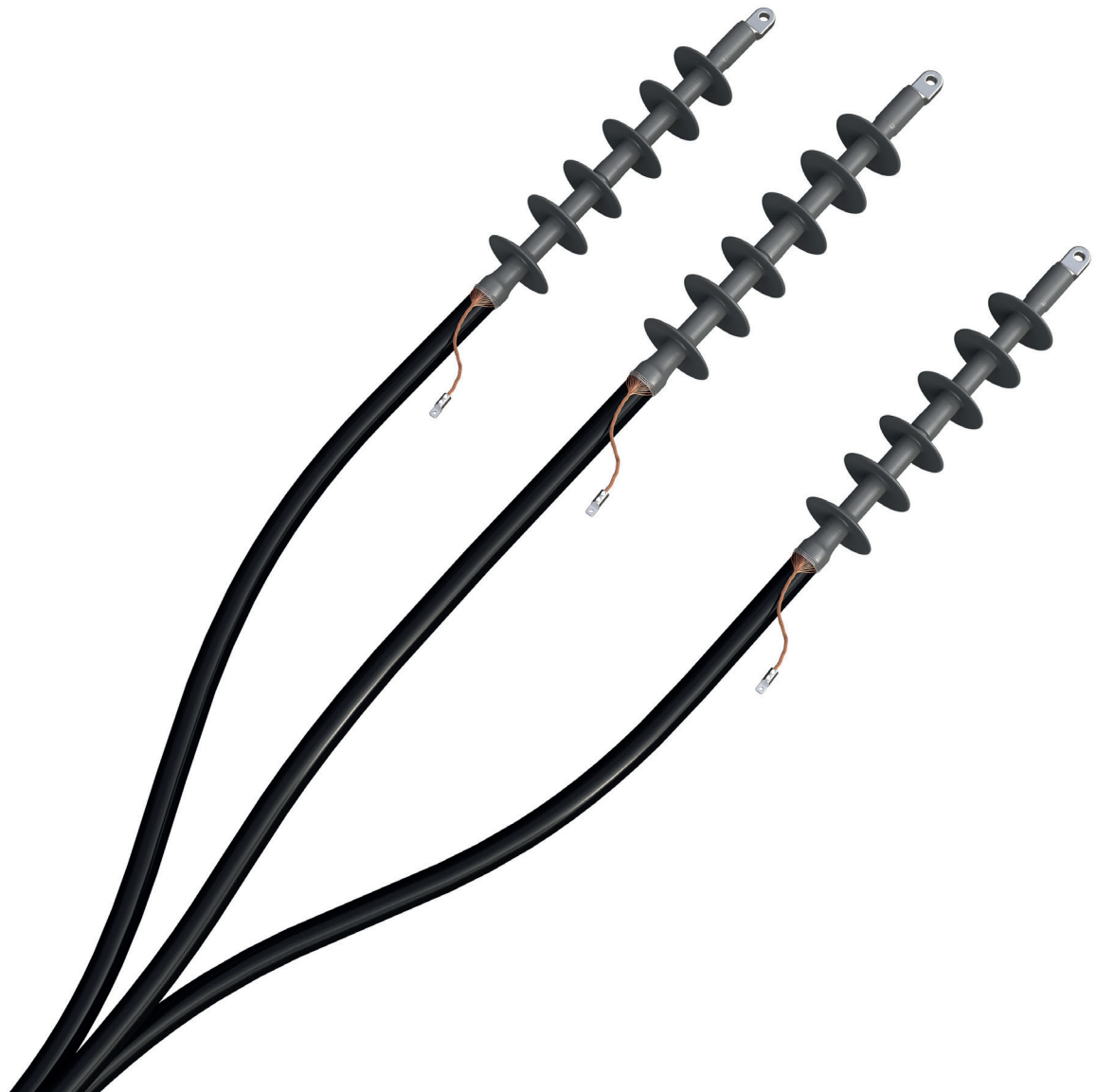
30



31



32





	12 kV	24 kV	36 kV	42 kV
<b>a</b>	§§§	§§§	§§§	§§§
<b>b</b>	§§§	§§§	§§§	§§§
<b>c (mm)</b>	15	25	35	45
<b>d (mm)</b>	10	20	25	35

§ § § = according to local requirements

**ENSTO**