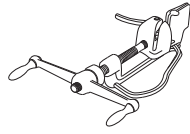


1.



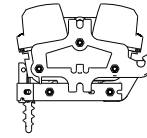
CT42



COT36 & COT37



CT164



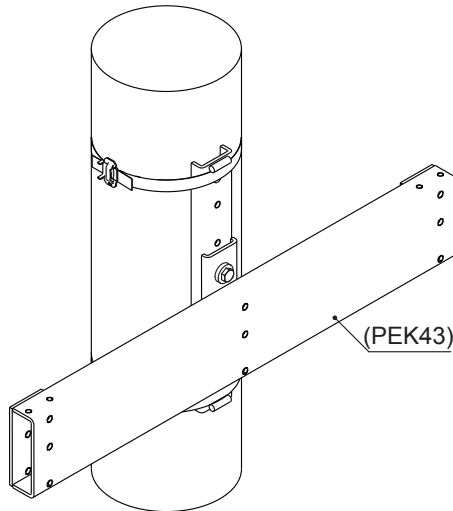
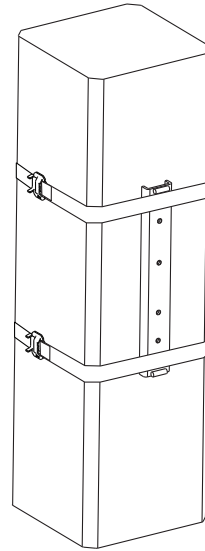
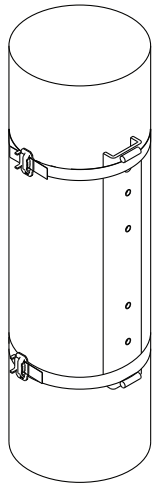
GTIN

PEK49

6418677400414

160 A / 400 A

2.



(PEK43)

